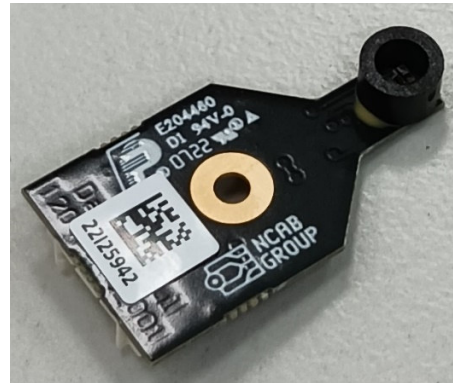
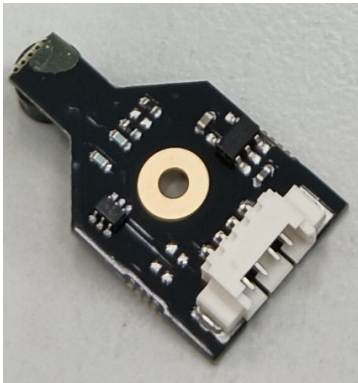


DATA MODUL Ambient Light Sensor Board (12042238)



Ambient light sensors detect the ambient brightness and automatically adjust the backlight brightness of displays.

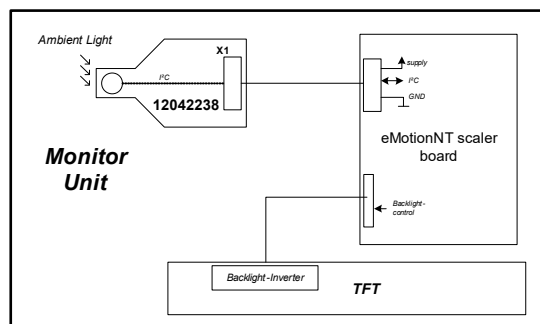
Key features:

- Designed for operation with DATA MODUL eMotionNT scaler boards
- High sensitive, low power light sensor with I²C Interface
- Close to Human Eye Response
- Excellent IR and UV Rejection
- Integrated 50/60Hz Noise Rejection
- Measured light intensity is used to adjust backlight brightness
- Extends the lifetime of the displays
- Saves energy

Special/outstanding features:

- Large temperature range
- Hardware and software designed by Data Modul, can be modified/adapted to customer requests

Typical Application:



Technical data:

Interfaces/connectors

Supply voltage and I2C port	4 pin connector (1.25mm pitch)
-----------------------------	--------------------------------

Setecable Light Source ranges (via I²C)

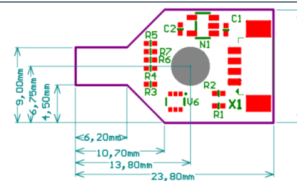
Range 1	0.015 lux to 1,000 lux
Range 2	0.06 lux to 4,000 lux
Range 3	0.24 lux to 16,000 lux
Range 4	0.96 lux to 64,000 lux

Power

Input voltage	3.3VDC ... 5VDC
Input current (max.)	< 2mA (incl. I ² C Bus Pin Current)

Dimensions & Weight

Boards size	23,80mm x 13,50mm (max. dimensions) Thickness of raw pcb: 0.5mm
Mounting holes	1 hole for M2 screw



Environmental conditions

Temperature (operating)	-20°C to +70°C
Temperature (non-operating)	-40°C to +105°C
Humidity	10% to 80% (non-condensing)

Approvals

EMI/EMC	Designed to meet EN55022 class A, EN55024, EN61000-3-2/-3
Safety	Designed to meet EN62368-1, CE

Note: To ensure that the board meets the EMI/EMC standards mentioned above, an adequate shielding cover must be added. Alternatively, the housing of the monitor must act as shielding cover (e.g. aluminum enclosure).

Options

Customized versions of the board on request