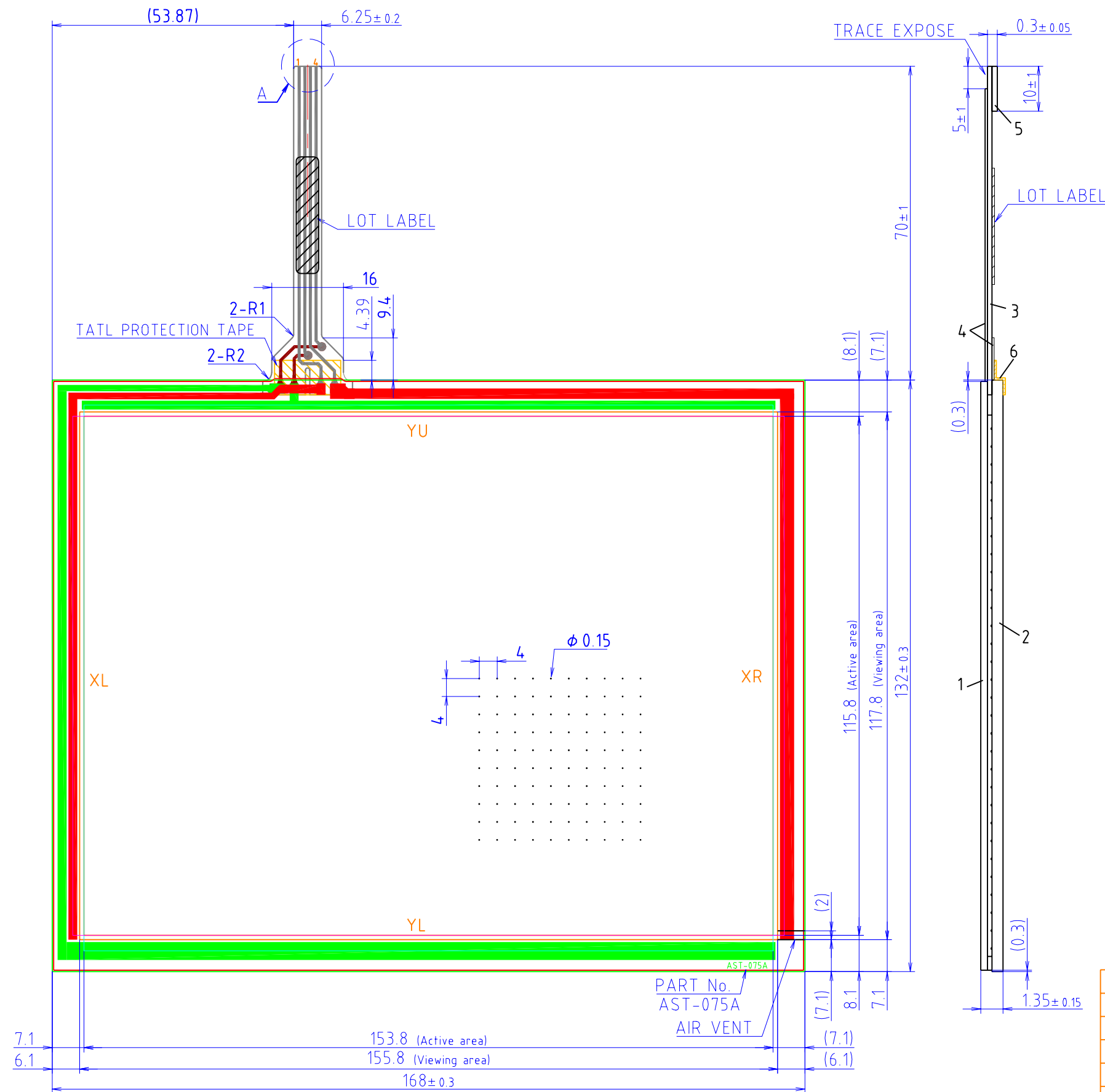


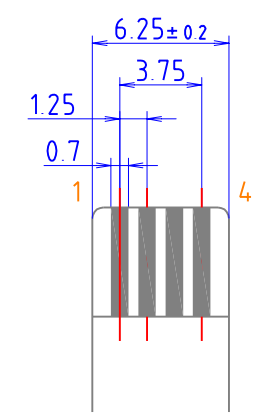
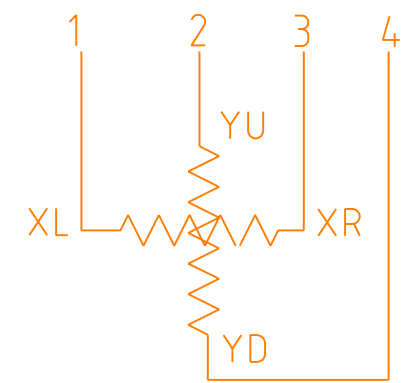
Specification

AST-075A070A

Version February 2005



PIN ASSIGNMENT



SECTION A

REMARKS	
TAIL PATTERN PITCH	1.25mm
TAIL PATTERN WIDTH	Ag 0.8mm - mm
CIRCUIT PATTERN WIDTH	Ag 1.5mm to 4.0mm - mm
O RED: TOP CIRCUIT, GREEN: BOTTOM CIRCUIT.	
O PURPLE: TOP CIRCUIT, LIGHT BLUE: BOTTOM CIRCUIT.	
O φ 0.15 DOT SPACER ON BOTTOM SHEET.	
O TOLERANCE=0.5mm EXCEPT WHERE INDICATED.	

ITEM	MATERIAL	REMARKS
1	ITO FILM POLYESTER 188μm	ANTI-GLARE
2	ITO GLASS t=1.1mm	
3	TAIL POLYESTER 38μm	
4	REINFORCEMENT FILM POLYESTER 250μm	
5	STIFFENER POLYESTER 25μm	
6	TATL PROTECTION TAPE POLYESTER 25μm	

CUSTOMER APPROVAL

		PART No.		APPROVED	CHECKED	CHECKED	TRACED	DESIGNED
		AST-075A070A		Fev/17/05		Fev/17/05	Fev/17/05	
		TYPE		NEMOTO		HIRATA	MOUE	MOUE
Fev/17/05	FIRST EDITION	MOUE	STANDARD TOUCHSCREEN	DMC Co., Ltd.				
DATE	REVISION	NAME	CIRCUIT DRAWING					



Data Modul Headquarters Munich
Landsberger-Str. 322
D-80687 Munich - Germany
Tel.: +49-89-56017-0



Sales Office Duesseldorf
Fritz-Vomfelde-Str. 8
D-40547 Duesseldorf - Germany
Tel.: +49-211-52709-0



Data Modul France, S.A.R.L.
Bat B - Hall 204
1-3 Rue des Campanules
77185 Lognes - France
Tel.: +33-1-60378100



Data Modul Italia, S.r.l.
Regus Center Senigallia
Via Senigallia 18/2
20161 Milano - Italy
Tel.: +39-02-64672-509



Data Modul Iberia, S.L.
c/ Adolfo Pérez Esquivel 3
Edificio Las Americas III Oficiana 40
28230 Parque Empresarial
Madrid Las Rozas - Spain
Tel.: +34-916 366 458

Data Modul Ltd. / UK
3 Brindley Place
Birmingham B 12JB
United Kingdom
Tel.: +44-121-698-8641

Data Modul Inc. / USA
275 Marcus Blvd, Unit K
Hauppauge, NY 11788
USA
Tel.: (631)-951-0800