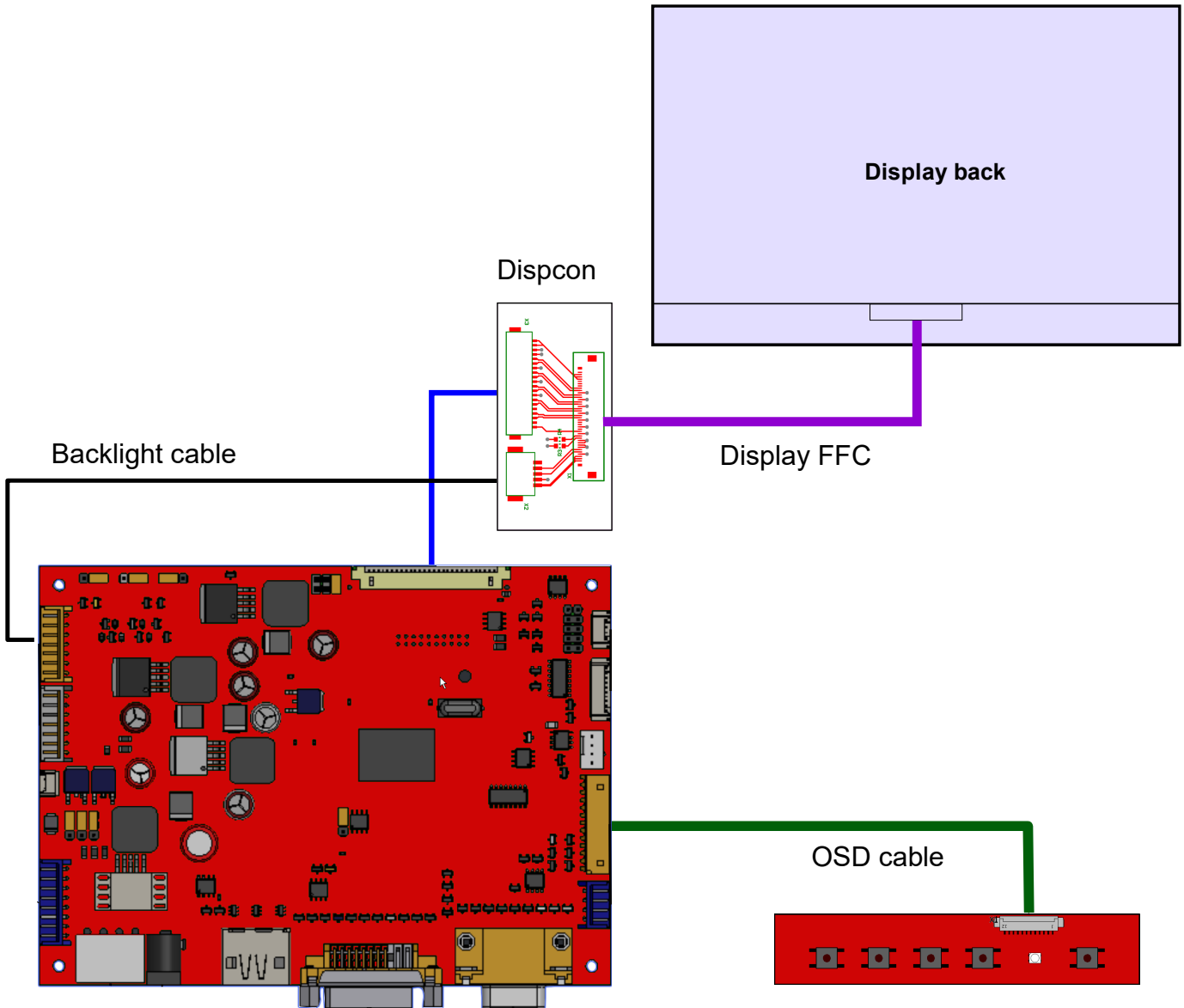


Connection diagram driving kit 12043190

eMotionST1 for Ortustech COM70H7M24ULC



Part	Part number	Remark
Display	12033407	Ortus COM70H7M24
Dispcn	12038925	Dispcn for COM70H7M24ULC
eMotionST1	12043545	eMotionST1 for COM50H5N01ULC or COM70H7M24ULC
Data cable 1	CU31309	
Backlight cable	CU31922	
OSD	CU70005	Optional for customer settings (brightness...)
OSD cable	CU31311	optional