

TO : Customer

DATE : 2019.05.24

**GREEN C&C TECH Co.,Ltd
75,SANEOP-RO 92BEON-GIL, GWONSEON-GU,
SUWON-CITY, KYEONGGI-DO
KOREA 16643
TEL : 82-31-373-3623~3625
FAX : 82-31-373-3610**

DOCUMENTATION FOR APPROVAL

**PRODUCT : LED BACKLIGHT DRIVER (RoHS)
MODEL NAME : GH765A(A20)
GCCT NAME : GCCT765AT**

APPROVAL	CHECKED	WRITTEN

PLEASE RETURN ONE DOCUMENT AFTER APPROVED SIGN.

GREEN C&C TECH	LED DRIVER SPECIFICATION GH765A(A20)	Publishing Date	2019.05.24
		Reforming Date	

NO	Date	REVISION	Page

REVISION HISTORY

REV.														
Page														
REV.	0	0	0	0	0									
Page	1	2	3	4	5									
											Page Rev.	0	Page	1

GREEN C&C TECH	LED DRIVER SPECIFICATION GH765A(A20)	Publishing Date Reforming Date	2019.05.24
---------------------------	---	-----------------------------------	------------

1. APPLICATION

This Document Specified The Detailed Product Requirement of LED driver
GH765A(A20)

2. SUITABLE LOAD

LCD MODULE : 4 Strings LED BLU TFT LCD

3. ELECTRICAL CHARATERISTICS

3.1. Absolute Maximum Ratings

Item	Symbol	Spec.	Unit	Remarks
Input Voltage 1	Vin	10.8~26.4	V	
Input Voltage 2	ON/OFF	5.25	V	
Operating Temperature	Top	-20~70	℃	
Storage Temperature	Tstg	-30~80	℃	
Relative Humidity	RH	80	%	

3.2. Control Signal

PIN No.	Symbol	Status	Action	Remarks
CN1 #9	ON/OFF	HIGH	LED - ON	2.4 ~ 5.25V
		LOW	LED - OFF	0.8 V Max

GREEN C&C TECH	LED DRIVER SPECIFICATION GH765A(A20)	Publishing Date	2019.05.24
		Reforming Date	

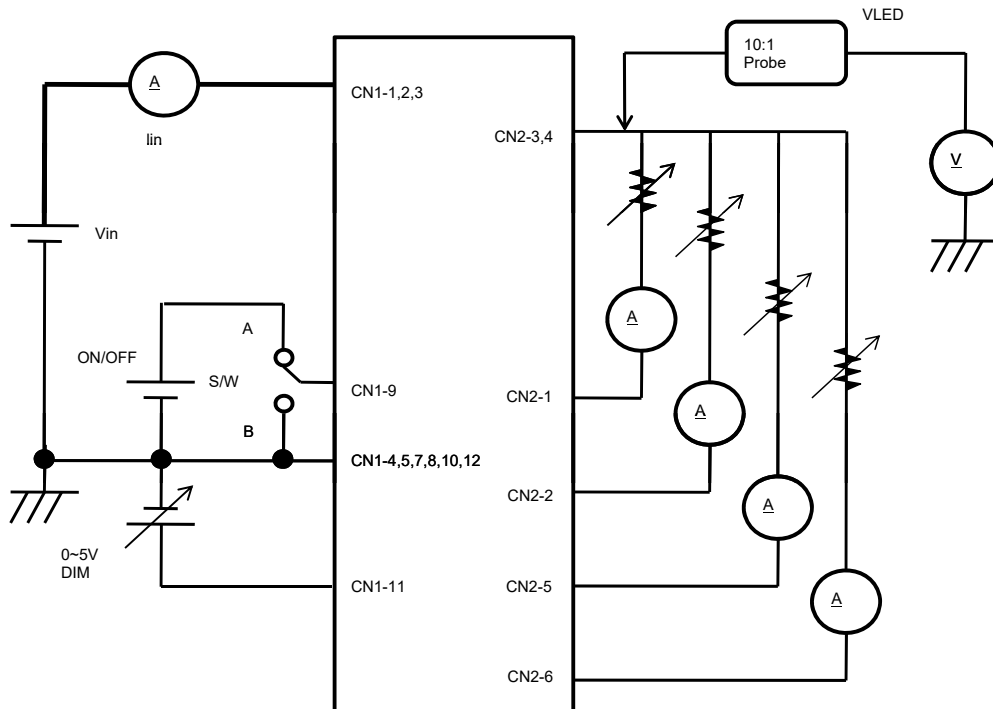
3.3. Output Characteristics

Item	Sym.	Condition	Min.	Typ.	Max.	Unit
Input Voltage	Vin	-	10.8	12.0	26.4	Vdc
Input Current	Iin	Vin=12V, Dim=0V	-	-	1.0	A
Output Current	Iout (Max)	Vin=12V, Dim=0V	27.0	32.0	37.0	mAmean
	Iout (Min)	Vin=12V, Dim=5V	15.0	20.0	25.0	
Backlight ON/OFF Control	ON	-	2.4	-	5.25	Vdc
	OFF	-	-0.3	-	0.8	

* Output Voltage is greater than Input Voltage for at least 3V or more.

3.4. Test Circuit

- S/W : A --> BLU ON
B --> BLU OFF



GREEN C&C TECH	LED DRIVER SPECIFICATION GH765A(A20)	Publishing Date Reforming Date	2019.05.24
----------------	---	-----------------------------------	------------

4. INTERFACE

4.1. CN1 Connector (Input) : 12505WR-12A (YEONHO) or Equivalent

PIN No.	Symbol	Description
1,2,3	VIN	Voltage Input : 12V, 24V (typ.)
4,5,7,8,10,12	GND	Ground
6	N.C	No Connection
9	ON/OFF	LED DRIVER ON/OFF Control
11	DIM	0V(MAX)~5V(MIN)

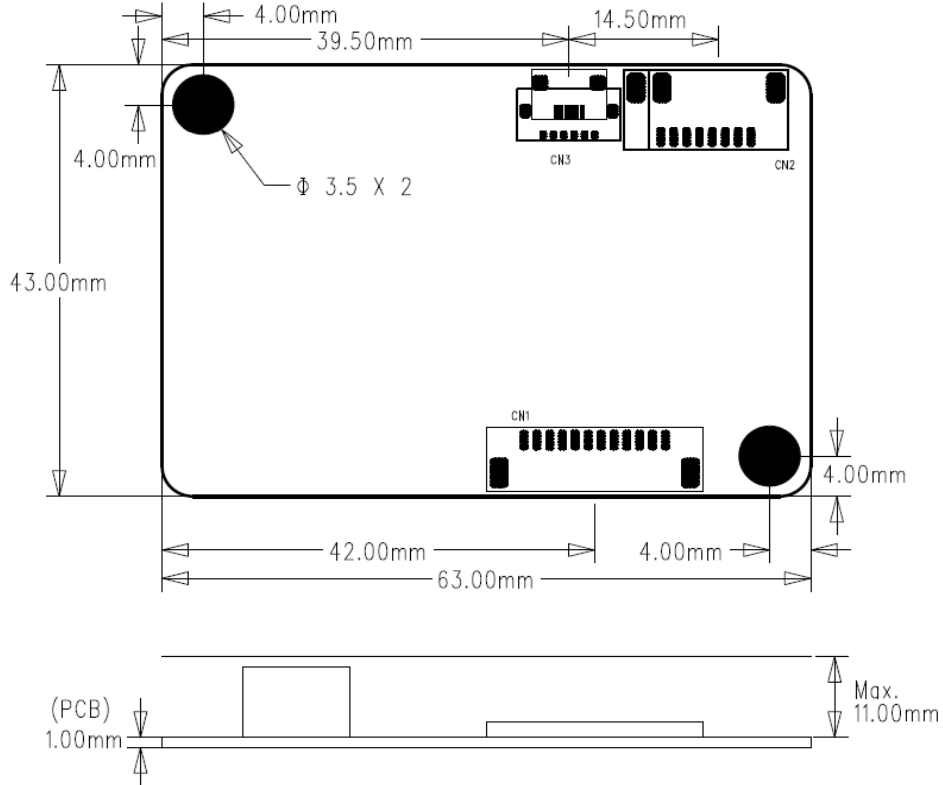
4.2. CN2 Connector (Output) : 12507WR-06L (YEONHO) or Equivalent

PIN No.	Symbol	Description
1	FB1	Feedback 1 (Return 1)
2	FB2	Feedback 2 (Return 2)
3	VLED	System Output
4	VLED	System Output
5	FB3	Feedback 3 (Return 3)
6	FB4	Feedback 4 (Return 4)

GREEN C&C TECH	LED DRIVER SPECIFICATION GH765A(A20)	Publishing Date Reforming Date	2019.05.24
---------------------------	---	-----------------------------------	------------

5. APPERANCE (Unit : mm)

(Tolerance : +0.8mm, -0.2mm)



6. NOTATION OF LOT NUMBER

MARKING:BOTTOM



GH765A(A20)	: USER MODEL CODE
G	: MANUFACTURER CODE (GREEN C&C TECH.)
9	: YEAR OF PRODUCT 9 → 2019 , 0 → 2020 , ... , 5 → 2025
02	: WEEK OF PRODUCT 01,02,03,04,...52
A	: PUBLICATION NUMBER A,B,C,...,Z,0,1,2,...,9
0001	: SERIAL NUMBER 0001,0002.....9998,9999
AT	: GCCT MODEL CODE (GCCT765AT)