

TO : Customer

DATE : 2020.06.09

**GREEN C&C TECH Co.,Ltd
75,SANEOP-RO 92BEON-GIL, GWONSEON-GU,
SUWON-CITY, KYEONGGI-DO
KOREA 451-861
TEL : 82-31-373-3623~3625
FAX : 82-31-373-3610**

DOCUMENTATION FOR APPROVAL

**PRODUCT : LED BACKLIGHT DRIVER (RoHS)
MODEL NAME : GH868A(A1)
GCCT NAME : GCCT868AA**

APPROVAL	CHECKED	WRITTEN

PLEASE RETURN ONE DOCUMENT AFTER APPROVED SIGN.

GREEN C&C TECH	LED DRIVER SPECIFICATION GH868A(A1)	Publishing Date Reforming Date	2020.06.09
----------------	--	-----------------------------------	------------

NO	Date	REVISION	Page

REVISION HISTORY

REV.														
Page														
REV.	0	0	0	0	0	0								
Page	1	2	3	4	5	6								

GREEN C&C TECH	LED DRIVER SPECIFICATION GH868A(A1)	Publishing Date Reforming Date	2020.06.09
----------------	--	-----------------------------------	------------

1. APPLICATION

This Document Specified The Detailed Product Requirement of LED driver
GH868A(A1)

2. SUITABLE LOAD

LCD MODULE : 3 Strings LED BLU TFT LCD

3. ELECTRICAL CHARATERISTICS

3.1. Absolute Maximum Ratings

Item	Symbol	Spec.	Unit	Remarks
Input Voltage 1	Vin	10.8~26.4	V	
Input Voltage 2	ON/OFF	5.25	V	
Operating Temperature	Top	-20~70	℃	
Storage Temperature	Tstg	-30~80	℃	
Relative Humidity	RH	80	%	

3.2. Control Signal

PIN No.	Symbol	Status	Action	Remarks
CN1 #12	ON/OFF	HIGH	LED - ON	2.4 ~ 5.25V
		LOW	LED - OFF	0.8 V Max

GREEN C&C TECH	LED DRIVER SPECIFICATION GH868A(A1)	Publishing Date	2020.06.09
		Reforming Date	

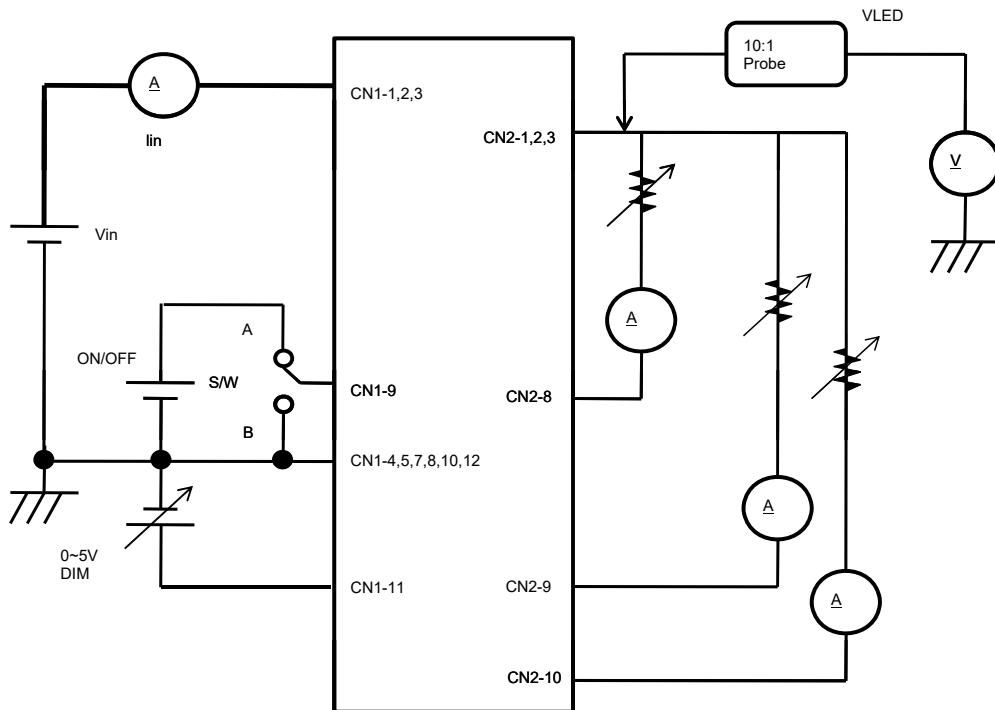
3.3. Output Characteristics

Item	Sym.	Condition	Min.	Typ.	Max.	Unit
Input Voltage	Vin	-	10.8	-	26.4	Vdc
Input Current	Iin	Vin=12V, Dim=0V	-	-	1.0	A
Output Current	Iout (Max)	Vin=12V, Dim=0V	85.0	95.0	105.0	mAmean
	Iout (Min)	Vin=12V, Dim=5V	15.0	20.0	25.0	
Backlight ON/OFF Control	ON	-	2.4	-	5.25	Vdc
	OFF	-	-0.3	-	0.8	

* Output Voltage is greater than Input Voltage for at least 3V or more.

3.4. Test Circuit

- S/W : A --> BLU ON
- B --> BLU OFF



GREEN C&C TECH	LED DRIVER SPECIFICATION GH868A(A1)	Publishing Date	2020.06.09
		Reforming Date	

4. INTERFACE

4.1. CN1 Connector (Input) : 12505WR-12A (YEONHO) or Equivalent

PIN No.	Symbol	Description
1,2,3	VIN	Voltage Input : 12V, 24V (typ.)
4,5,7,8,10,12	GND	Ground
6	N.C	No Connection
9	ON/OFF	LED DRIVER ON/OFF Control
11	DIM	0V(MAX)~5V(MIN)

4.2. CN2 Connector (Output) : FH52-10S-0.5SH (HIROSE) or Equivalent

PIN No.	Symbol	Description
1,2,3	VLED	System Output
4,5,6	N.C	No Connection
8	FB1	Feedback 1 (Return 1)
9	FB2	Feedback 2 (Return 2)
10	FB3	Feedback 3 (Return 3)

4.3. CN3 Connector (Output) : FH52-50S-0.5SH (HIROSE) or Equivalent

PIN No.	Symbol	Description
1,5,6,7,8,9,10,11, 12,13,16,41,42,43, 45,46,47,48,49	N.C	No Connection
2	TP SYNC	TP POINT
3,4,17,18,19,20,23, 26,29,32,35,44,50	GND	Ground
14,15,39	VCC 3.3V	VCC 3.3V
21	RIN0 N	RIN0 N
22	RIN0 P	RIN0 P
24	RIN1 N	RIN1 N
25	RIN1 P	RIN1 P
27	RIN2 N	RIN2 N
28	RIN2 P	RIN2 P
30	CIKIN N	CIKIN N
31	CIKIN P	CIKIN P
33	RIN3 N	RIN3 N
34	RIN3 P	RIN3 P
36	reset	reset
37	standby	standby
38	left/rigth	left/rigth
40	top/bottom	top/bottom

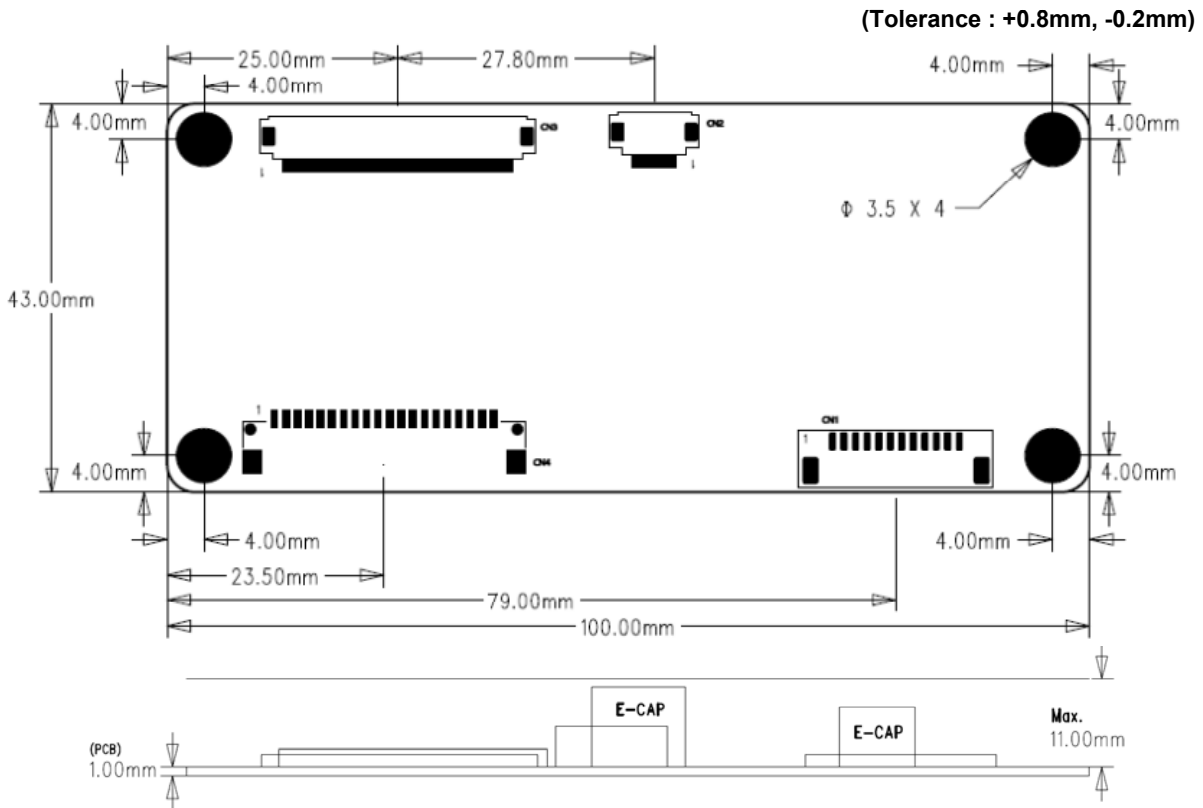
GREEN C&C TECH	LED DRIVER SPECIFICATION GH868A(A1)	Publishing Date Reforming Date	2020.06.09
----------------	--	-----------------------------------	------------

4. INTERFACE

4.4. CN4 Connector (Input) : DF14-20P-1.25H (HIROSE) or Equivalent

PIN No.	Symbol	Description
1,2	VCC 3.3V	VCC 3.3V
3,7,10,13,16,19	GND	Ground
4,20	N.C	No Connection
5	RIN0 N	RIN0 N
6	RIN0 P	RIN0 P
8	RIN1 N	RIN1 N
9	RIN1 P	RIN1 P
11	RIN2 N	RIN2 N
12	RIN2 P	RIN2 P
14	CIKIN N	CIKIN N
15	CIKIN P	CIKIN P
17	RIN3 N	RIN3 N
18	RIN3 P	RIN3 P

5. APPERANCE (Unit : mm)



6. NOTATION OF LOT NUMBER

MARKING: BOTTOM

GH868A(A1)	→	① USER MODEL CODE
G 20 01 A	→	② PRODUCTION MANAGEMENT CODE
0001 AA	→	③ SERIAL NUMBER OR CONTROL CODE

①	GH868A(A1)	: USER MODEL CODE
	G	: MANUFACTURER CODE (GREEN C&C TECH)
	20	: YEAR OF PRODUCT
		20 → 2020 , 21 → 2021 , ... , 29 → 2029
②	01	: WEEK OF PRODUCT 01,02,03,04,...52
	A	: PUBLICATION NUMBER A,B,C,...,Z,0,1,2,...,9
	0001	: SERIAL NUMBER 0001,0002.....9998,9999
③	AA	: GCCT CONTROL MODEL CODE