



# SPECIFICATION

---



**G156XW01 V312**

15.6" – HD - LVDS

Version: 1.6

Date: 01.04.2023

Note: This specification is subject to change without prior notice



AUO Display+

# Product Specification

G156XW01 V312

AU OPTRONICS CORPORATION

- ( ) Preliminary Specification
- ( V ) Final Specification

<b>Module</b>	15.6 Inch Color TFT-LCD
<b>Model Name</b>	G156XW01 V3 (312)

<b>Customer</b>	<b>Date</b>
_____	_____
<b>Checked &amp; Approved by</b>	<b>Date</b>
_____	_____
Customer's sign back page	

<b>Approved by</b>	<b>Date</b>
<u><i>Ginger Lin</i></u>	<u>04/01/2023</u>
<b>Prepared by</b>	<b>Date</b>
<u><i>BinJou Huang</i></u>	<u>04/01/2023</u>
General Display Business Division / AU Optronics corporation	

ADP Confidential For Data Modul Use Only

**Contents**

<b>1. Operating Precautions .....</b>	<b>4</b>
<b>2. General Description .....</b>	<b>5</b>
2.1 Display Characteristics.....	5
2.2 Optical Characteristics .....	6
<b>3. Functional Block Diagram .....</b>	<b>9</b>
<b>4. Absolute Maximum Ratings .....</b>	<b>10</b>
4.1 Absolute Ratings of TFT LCD Module .....	10
4.2 Absolute Ratings of Environment.....	10
<b>5. Electrical characteristics .....</b>	<b>10</b>
5.1 TFT LCD Module.....	11
5.2 Backlight Unit.....	13
<b>6. Signal Characteristic.....</b>	<b>14</b>
6.1 Pixel Format Image.....	14
6.2 Signal Description .....	14
6.3 The Input Data Format.....	16
6.4 Interface Timing .....	17
6.5 Power ON/OFF Sequence.....	18
<b>7. Reliability Test Criteria .....</b>	<b>19</b>
<b>8. Mechanical Characteristics .....</b>	<b>20</b>
8.1 LCM Outline Dimension (Front View).....	20
8.2 LCM Outline Dimension (Rear View) .....	21
<b>9. Packaging Spec.....</b>	<b>22</b>
9.1 Shipping Label (on the rear side of TFT-LCD display) .....	22
9.2 Carton & Pallet Package.....	22
<b>10. Safety .....</b>	<b>23</b>
10.1 Sharp Edge Requirements.....	23
10.2 Materials .....	23
10.3 Capacitors.....	23
10.4 National Test Lab Requirement.....	23

## Record of Revision

Version	Date	Page	Old description	New Description																																																																																																																				
0.1	2016/04/13	All	First draft specification																																																																																																																					
1.0	2016/10/21	5	LED Power Consumption 9W (Typ.); 9.72W (Max.) Weight 940 (Typ.); 1034 (Max.)	Update →6.6W (Typ.); 7.92W (Max.) Update →860(Typ.); 900 (Max.)																																																																																																																				
		6	Color Coordinates (CIE) Red x Red y Green x Green y Blue x Blue y .....: TBD	Update value as below <table border="1" data-bbox="954 656 1465 967"> <tr> <td>Red x</td> <td>0.578</td> <td>0.628</td> <td>0.678</td> </tr> <tr> <td>Red y</td> <td>0.297</td> <td>0.347</td> <td>0.397</td> </tr> <tr> <td>Green x</td> <td>0.282</td> <td>0.332</td> <td>0.382</td> </tr> <tr> <td>Green y</td> <td>0.565</td> <td>0.615</td> <td>0.665</td> </tr> <tr> <td>Blue x</td> <td>0.106</td> <td>0.156</td> <td>0.206</td> </tr> <tr> <td>Blue y</td> <td>0.025</td> <td>0.075</td> <td>0.125</td> </tr> </table>	Red x	0.578	0.628	0.678	Red y	0.297	0.347	0.397	Green x	0.282	0.332	0.382	Green y	0.565	0.615	0.665	Blue x	0.106	0.156	0.206	Blue y	0.025	0.075	0.125																																																																																												
		Red x	0.578	0.628	0.678																																																																																																																			
		Red y	0.297	0.347	0.397																																																																																																																			
		Green x	0.282	0.332	0.382																																																																																																																			
Green y	0.565	0.615	0.665																																																																																																																					
Blue x	0.106	0.156	0.206																																																																																																																					
Blue y	0.025	0.075	0.125																																																																																																																					
13	Backlight Unit LED driver Ivcc 0.75(Typ.); 0.9(Max.) PLED 9(Typ.);9.72(Typ.)	Update →0.55(Typ.); 0.66(Max.) →6.6(Typ.); 7.92(Max.)																																																																																																																						
24	Carton & Pallet Package Max weight:16.3 kg per carton	Update →15.3 kg																																																																																																																						
26	10.2 LCM Outline Dimension (Rear View)	Update																																																																																																																						
1.1	2017/3/31	15	Backlight light bar Insert Direction Pin 10	Update → Pin 5																																																																																																																				
1.2	2017/5/3	20	9.1 Shipping Label (on the rear side of TFT-LCD display)	Update → V.3																																																																																																																				
		22	10.2 LCM Outline Dimension (Rear View)	Update																																																																																																																				
1.3	2017/6/28	15	Backlight light bar Insert Direction Pin 1~Pin 5	Update photo																																																																																																																				
1.4	2022/1/24	22	two pallet put 42 boxes, total 576 pcs module	two pallet put 36 boxes, total 576 pcs module																																																																																																																				
1.5	2022/5/24	14	<table border="1" data-bbox="475 1668 946 1859"> <thead> <tr> <th>Symbol</th> <th>Parameter</th> <th>Min</th> <th>Typ</th> <th>Max</th> <th>Units</th> <th>Remark</th> </tr> </thead> <tbody> <tr> <td>VLED (Note 1)</td> <td>LED Power Supply</td> <td>10.8</td> <td>12</td> <td>13.2</td> <td>[Volt]</td> <td rowspan="10">Define as Connector Interface (Ta=25°C)</td> </tr> <tr> <td rowspan="2">VLED_EN</td> <td>LED Enable Input - High Level</td> <td>2.5</td> <td>--</td> <td>5.5</td> <td>[Volt]</td> </tr> <tr> <td>LED Enable Input - Low Level</td> <td>--</td> <td>--</td> <td>0.5</td> <td>[Volt]</td> </tr> <tr> <td rowspan="2">VPWM_EN</td> <td>PWM Logic Input - High Level</td> <td>2.5</td> <td>--</td> <td>5.5</td> <td>[Volt]</td> </tr> <tr> <td>PWM Logic Input - Low Level</td> <td>--</td> <td>--</td> <td>0.5</td> <td>[Volt]</td> </tr> <tr> <td>FPWM</td> <td>PWM Input Frequency *1</td> <td>200</td> <td>--</td> <td>20K</td> <td>Hz</td> </tr> <tr> <td>Duty</td> <td>PWM Duty Ratio</td> <td>5</td> <td>--</td> <td>100</td> <td>%</td> </tr> <tr> <td>Ivcc</td> <td>Input Current</td> <td>--</td> <td>0.55</td> <td>0.66</td> <td>A</td> <td>100% Dimming</td> </tr> </tbody> </table>	Symbol	Parameter	Min	Typ	Max	Units	Remark	VLED (Note 1)	LED Power Supply	10.8	12	13.2	[Volt]	Define as Connector Interface (Ta=25°C)	VLED_EN	LED Enable Input - High Level	2.5	--	5.5	[Volt]	LED Enable Input - Low Level	--	--	0.5	[Volt]	VPWM_EN	PWM Logic Input - High Level	2.5	--	5.5	[Volt]	PWM Logic Input - Low Level	--	--	0.5	[Volt]	FPWM	PWM Input Frequency *1	200	--	20K	Hz	Duty	PWM Duty Ratio	5	--	100	%	Ivcc	Input Current	--	0.55	0.66	A	100% Dimming	<table border="1" data-bbox="954 1657 1476 1881"> <thead> <tr> <th>Symbol</th> <th>Parameter</th> <th>Min</th> <th>Typ</th> <th>Max</th> <th>Units</th> <th>Remark</th> </tr> </thead> <tbody> <tr> <td>VLED (Note 1)</td> <td>LED Power Supply</td> <td>10.8</td> <td>12</td> <td>13.2</td> <td>[Volt]</td> <td rowspan="10">Define as Connector Interface (Ta=25°C)</td> </tr> <tr> <td rowspan="2">VLED_EN</td> <td>LED Enable Input - High Level</td> <td>3.0</td> <td>3.3</td> <td>5.0</td> <td>[Volt]</td> </tr> <tr> <td>LED Enable Input - Low Level</td> <td>--</td> <td>--</td> <td>0.8</td> <td>[Volt]</td> </tr> <tr> <td rowspan="2">VPWM_EN</td> <td>PWM Logic Input - High Level</td> <td>3.0</td> <td>3.3</td> <td>5.0</td> <td>[Volt]</td> </tr> <tr> <td>PWM Logic Input - Low Level</td> <td>--</td> <td>--</td> <td>0.5</td> <td>[Volt]</td> </tr> <tr> <td>FPWM</td> <td>PWM Input Frequency *1</td> <td>200</td> <td>--</td> <td>20K</td> <td>Hz</td> </tr> <tr> <td>Duty</td> <td>PWM Duty Ratio 200Hz-5kHz</td> <td>5</td> <td>--</td> <td>100</td> <td>%</td> </tr> <tr> <td>Duty</td> <td>PWM Duty Ratio 5kHz-20kHz</td> <td>15</td> <td>--</td> <td>100</td> <td>%</td> </tr> <tr> <td>Ivcc</td> <td>Input Current</td> <td>--</td> <td>0.55</td> <td>0.66</td> <td>A</td> <td>100% Dimming</td> </tr> </tbody> </table>	Symbol	Parameter	Min	Typ	Max	Units	Remark	VLED (Note 1)	LED Power Supply	10.8	12	13.2	[Volt]	Define as Connector Interface (Ta=25°C)	VLED_EN	LED Enable Input - High Level	3.0	3.3	5.0	[Volt]	LED Enable Input - Low Level	--	--	0.8	[Volt]	VPWM_EN	PWM Logic Input - High Level	3.0	3.3	5.0	[Volt]	PWM Logic Input - Low Level	--	--	0.5	[Volt]	FPWM	PWM Input Frequency *1	200	--	20K	Hz	Duty	PWM Duty Ratio 200Hz-5kHz	5	--	100	%	Duty	PWM Duty Ratio 5kHz-20kHz	15	--	100	%	Ivcc	Input Current	--	0.55	0.66	A	100% Dimming
Symbol	Parameter	Min	Typ	Max	Units	Remark																																																																																																																		
VLED (Note 1)	LED Power Supply	10.8	12	13.2	[Volt]	Define as Connector Interface (Ta=25°C)																																																																																																																		
VLED_EN	LED Enable Input - High Level	2.5	--	5.5	[Volt]																																																																																																																			
	LED Enable Input - Low Level	--	--	0.5	[Volt]																																																																																																																			
VPWM_EN	PWM Logic Input - High Level	2.5	--	5.5	[Volt]																																																																																																																			
	PWM Logic Input - Low Level	--	--	0.5	[Volt]																																																																																																																			
FPWM	PWM Input Frequency *1	200	--	20K	Hz																																																																																																																			
Duty	PWM Duty Ratio	5	--	100	%																																																																																																																			
Ivcc	Input Current	--	0.55	0.66	A		100% Dimming																																																																																																																	
Symbol	Parameter	Min	Typ	Max	Units		Remark																																																																																																																	
VLED (Note 1)	LED Power Supply	10.8	12	13.2	[Volt]		Define as Connector Interface (Ta=25°C)																																																																																																																	
VLED_EN	LED Enable Input - High Level	3.0	3.3	5.0	[Volt]																																																																																																																			
	LED Enable Input - Low Level	--	--	0.8	[Volt]																																																																																																																			
VPWM_EN	PWM Logic Input - High Level	3.0	3.3	5.0	[Volt]																																																																																																																			
	PWM Logic Input - Low Level	--	--	0.5	[Volt]																																																																																																																			
FPWM	PWM Input Frequency *1	200	--	20K	Hz																																																																																																																			
Duty	PWM Duty Ratio 200Hz-5kHz	5	--	100	%																																																																																																																			
Duty	PWM Duty Ratio 5kHz-20kHz	15	--	100	%																																																																																																																			
Ivcc	Input Current	--	0.55	0.66	A	100% Dimming																																																																																																																		
1.6	2023/4/1		G156XW01 V3 (302)	G156XW01 V3 (312)																																																																																																																				

## 1. Operating Precautions

- 1) Since front polarizer is easily damaged, please be cautious and not to scratch it.
- 2) Be sure to turn off power supply when inserting or disconnecting from input connector.
- 3) Wipe off water drop immediately. Long contact with water may cause discoloration or spots.
- 4) When the panel surface is soiled, wipe it with absorbent cotton or soft cloth.
- 5) Since the panel is made of glass, it may be broken or cracked if dropped or bumped on hard surface.
- 6) To avoid ESD (Electro Static Discharge) damage, be sure to ground yourself before handling TFT-LCD Module.
- 7) Do not open nor modify the module assembly.
- 8) Do not press the reflector sheet at the back of the module to any direction.
- 9) In case if a module has to be put back into the packing container slot after it was taken out from the container, do not press the center of the LED light bar edge. Instead, press at the far ends of the LED light bar edge softly. Otherwise the TFT Module may be damaged.
- 10) At the insertion or removal of the Signal Interface Connector, be sure not to rotate nor tilt the Interface Connector of the TFT Module.
- 11) TFT-LCD Module is not allowed to be twisted & bent even force is added on module in a very short time. Please design your display product well to avoid external force applying to module by end-user directly.
- 12) Small amount of materials having no flammability grade is used in the LCD module. The LCD module should be supplied by power complied with requirements of Limited Power Source (IEC60950 or UL1950), or be applied exemption.
- 13) Severe temperature condition may result in different luminance, response time and lamp ignition voltage.
- 14) Continuous operating TFT-LCD display under low temperature environment may accelerate lamp exhaustion and reduce luminance dramatically.
- 15) The data on this specification sheet is applicable when LCD module is placed in landscape position.
- 16) Continuous displaying fixed pattern may induce image sticking. It's recommended to use screen saver or shuffle content periodically if fixed pattern is displayed on the screen.

## 2. General Description

This specification applies to the 15.6 inch-wide Color a-Si TFT-LCD Module G156XW01.V3. The display supports the HD - 1366(H) x 768(V) screen format and 16.2M colors (RGB 6-bits+2-FRC data). All input signals are LVDS interface and this module contains with an LED driver for backlight.

### 2.1 Display Characteristics

The following items are characteristics summary on the table under 25°C condition:

ITEMS	Unit	SPECIFICATIONS
Screen Diagonal	[inch]	15.6"
Active Area	[mm]	344.232 (H) x 193.536 (V)
Resolution		1366 x 768
Pixel Pitch	[mm]	0.252 x 0.252
Pixel Arrangement		R.G.B. Vertical Stripe
Display Mode		TN Mode, Normally White
Nominal Input Voltage VDD	[Volt]	+5.0 (typ.)
LCD Power Consumption	[Watt]	2.2W (Typ.), 2.6W (Max.) (all black pattern)
LED Power Consumption	[Watt]	6.6W (Typ.), 7.92 W (Max.) (all black pattern)
Weight	[g]	860(Typ.) +/- 40
Physical Size	[mm]	363.8(W) X 215.9(H) X 9.3 (D) (Typ.)
Electrical Interface		One channel LVDS
Surface Treatment		Anti-Glare, 3H
Support Color		16.2M
RoHS Compliance		RoHS Compliance
Temperature Range		
Operating	[°C]	0 to +60(+60°C as panel surface temperature)
Storage (Non-Operating)	[°C]	-20 to +60
RoHS Compliance		Yes

## 2.2 Optical Characteristics

The optical characteristics are measured under stable conditions at 25 °C(Room Temperature):

Item	Unit	Conditions	Min.	Typ.	Max.	Note	
White Luminance ( Center )	cd/m <sup>2</sup>	I <sub>LED</sub> =50mA (center point)	400	500		1	
Luminance Uniformity	%	5 points	70	75	-	2,3	
Contrast ratio	--		350	500	-	4	
Response Time	msec	Rising Time (T <sub>rR</sub> )	-	6	9	5	
		Falling Time (T <sub>rF</sub> )	-	2	4		
		Rising + Falling	-	8	13		
Viewing Angle	[degree]	Horizontal CR >= 10	(Right)	75	85	-	6
			(Left)	75	85	-	
		Vertical CR >= 10	(Upper)	70	80	-	
			(Lower)	70	80	-	
Color / Chromaticity Coordinates (CIE 1931)	--	Red x	0.578	0.628	0.678		
		Red y	0.297	0.347	0.397		
		Green x	0.282	0.332	0.382		
		Green y	0.565	0.615	0.665		
		Blue x	0.106	0.156	0.206		
		Blue y	0.025	0.075	0.125		
		White x	0.263	0.313	0.363		
		White y	0.279	0.329	0.379		
Color Gamut	%	CIE 1931	-	62	-		

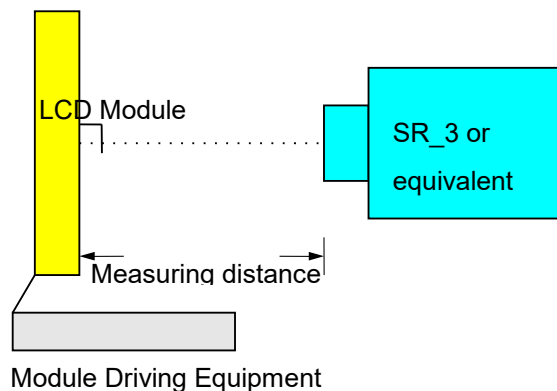
### Note 1: Measurement method

Equipment Pattern Generator, Power Supply, Digital Voltmeter, Luminance meter (SR\_3 or equivalent)

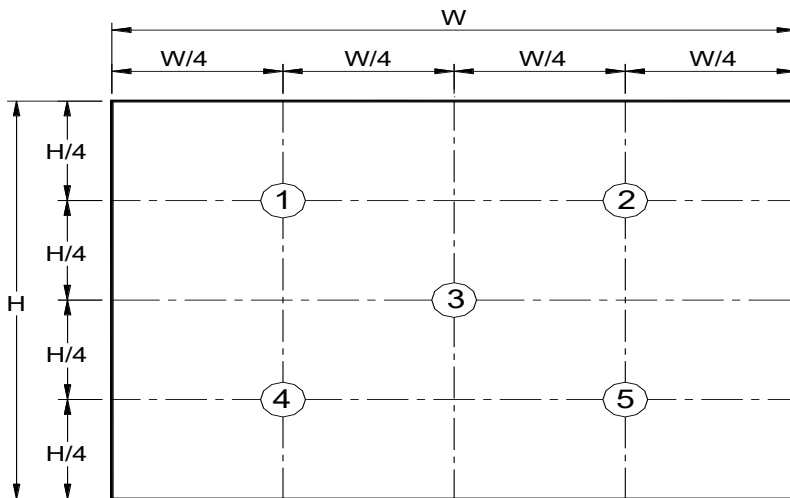
Aperture 1° with 50cm viewing distance

Test Point Center

Environment < 1 lux



**Note 2:** Definition of 5 points position



**Note 3:** The luminance uniformity of 5 points is defined by dividing the minimum luminance values by the maximum test point luminance

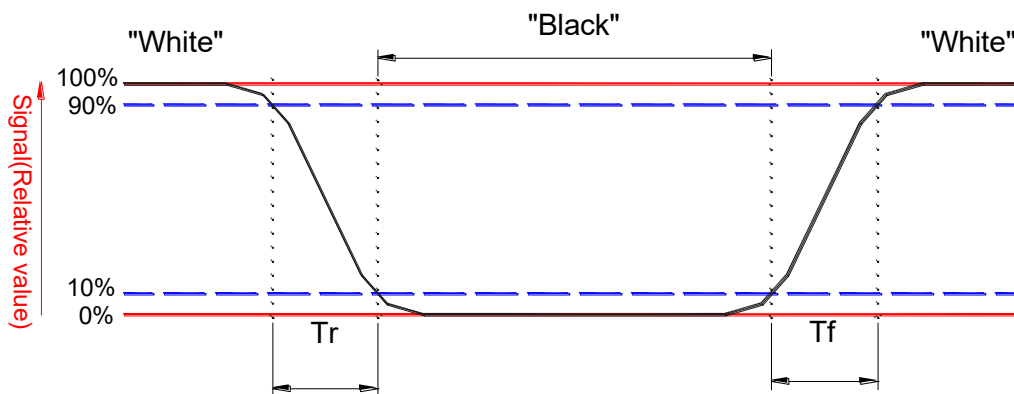
$$\delta_{w5} = \frac{\text{Minimum Brightness of five points}}{\text{Maximum Brightness of five points}}$$

**Note 4:** Definition of contrast ratio (CR):

$$\text{Contrast ratio (CR)} = \frac{\text{Brightness on the "White" state}}{\text{Brightness on the "Black" state}}$$

**Note 5:** Definition of Response time:

The output signals of photo detector are measured when the input signals are changed from "White" to "Black" (falling time) and from "Black" to "White" (rising time), respectively. The response time interval is between 10% and 90% of amplitudes. Please refer to the figure as below.

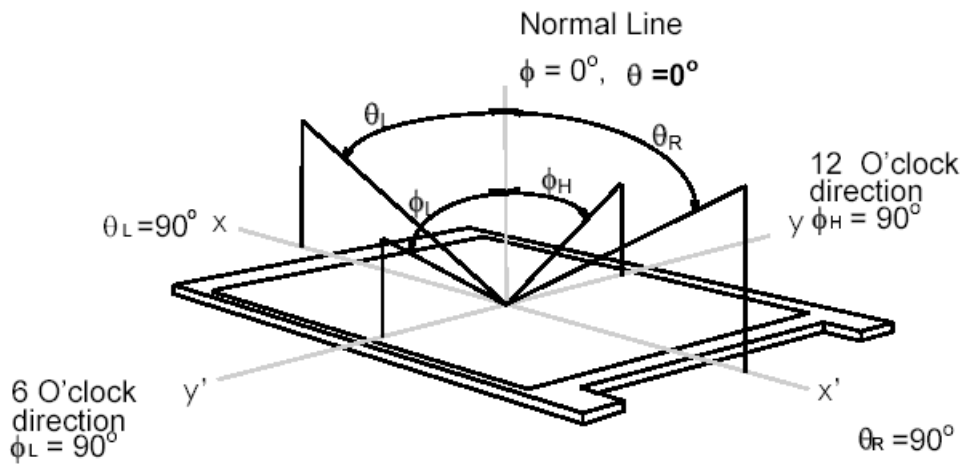




**AUO Display+**

**Note 6:** Definition of viewing angle

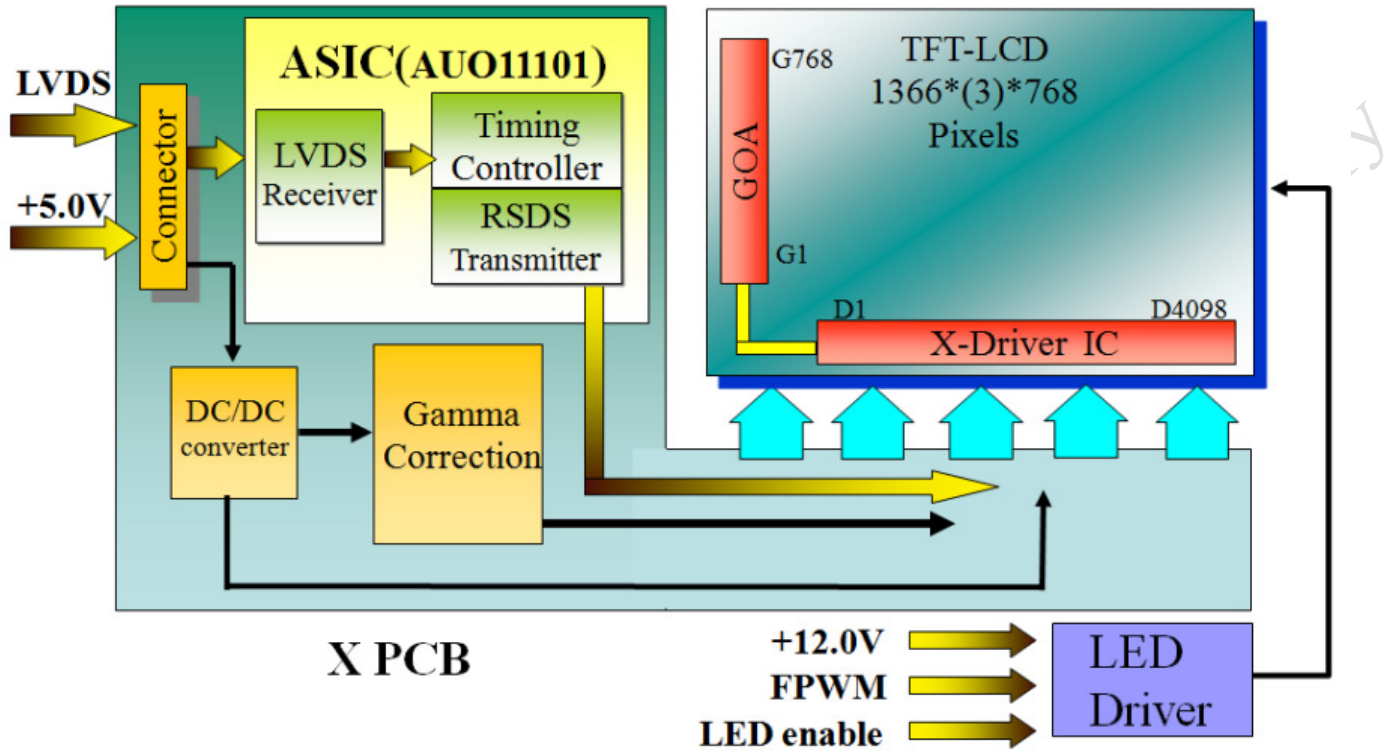
Viewing angle is the measurement of contrast ratio  $\geq 10$ , at the screen center, over a  $180^\circ$  horizontal and  $180^\circ$  vertical range (off-normal viewing angles). The  $180^\circ$  viewing angle range is broken down as below:  $90^\circ$  ( $\theta$ ) horizontal left and right, and  $90^\circ$  ( $\phi$ ) vertical high (up) and low (down). The measurement direction is typically perpendicular to the display surface with the screen rotated to its center to develop the desired measurement viewing angle.



ADP Confidential For Data

## 3. Functional Block Diagram

The following diagram shows the functional block of the 15.6 inch Color TFT-LCD Module:



ADP Confidential For L

## 4. Absolute Maximum Ratings

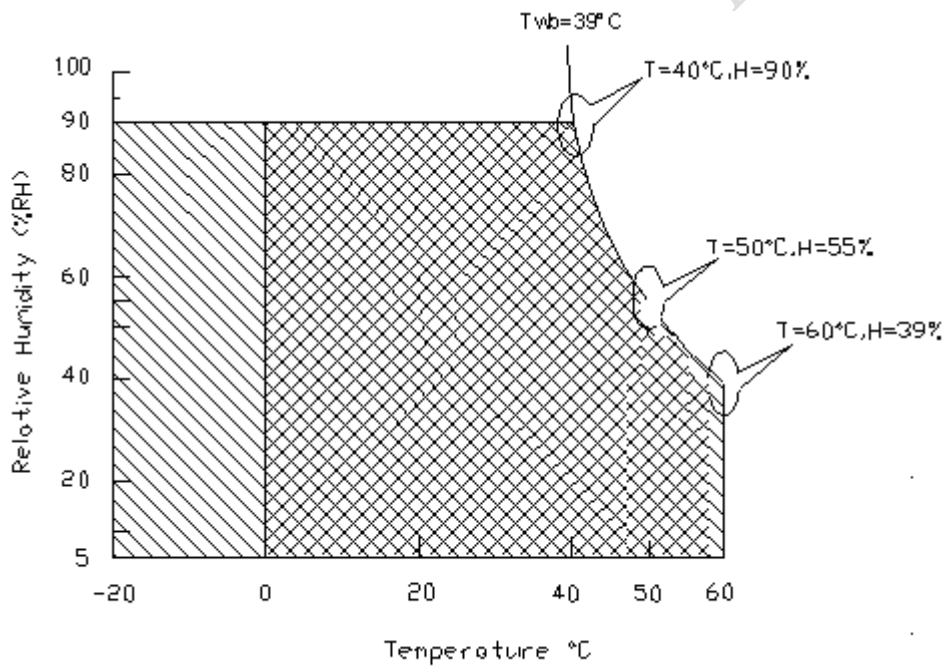
### 4.1 Absolute Ratings of TFT LCD Module

Item	Symbol	Min	Max	Unit
Logic/LCD Drive Voltage	Vin	0	6.0	[Volt]

### 4.2 Absolute Ratings of Environment

Item	Symbol	Min.	Max.	Unit
Operating Temperature	TOP	0	+60	[°C]
Operation Humidity	HOP	5	90	[%RH]
Storage Temperature	TST	-20	+60	[°C]
Storage Humidity	HST	5	90	[%RH]

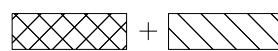
**Note:** Maximum Wet-Bulb should be 39 °C and no condensation.



Operating Range



Storage Range



## 5. Electrical characteristics

AUO Display+

## 5.1 TFT LCD Module

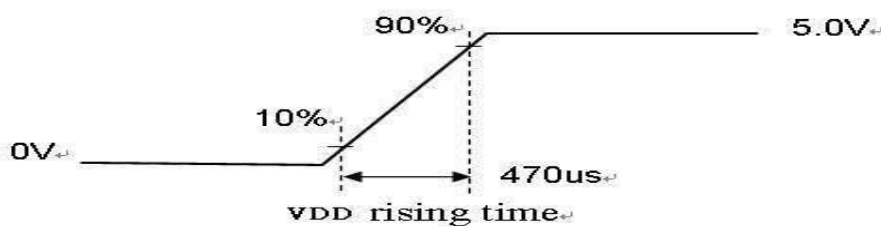
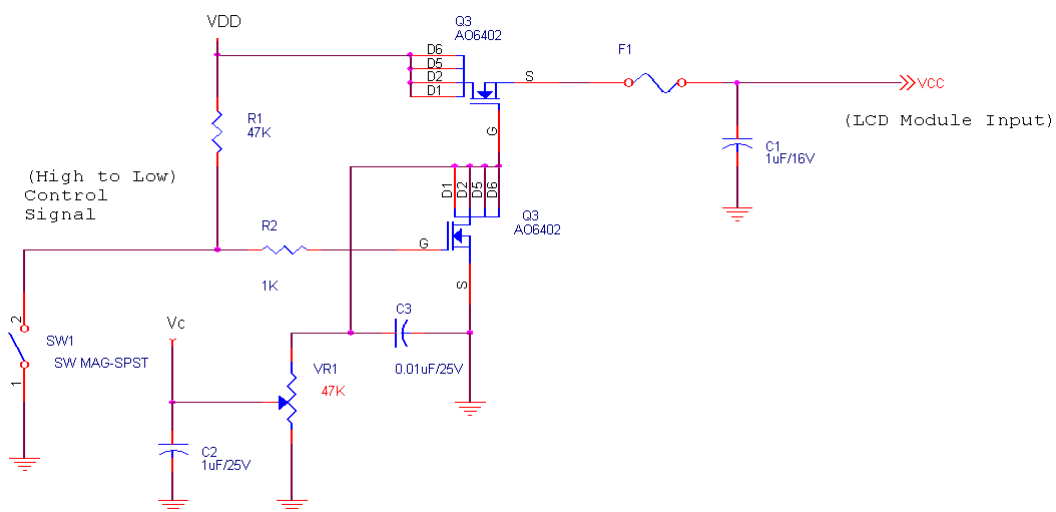
### 5.1.1 Power Specification

Input power specifications are as following:

Symbol	Parameter	Min	Typ	Max	Unit	Conditions
VDD	Logic/LCD Drive Voltage	4.5	5.0	5.5	[Volt]	+/-10%
IDD	VDD Current ,Input Current	-	0.43	0.52	[A]	VDD= 5.0V, All Black Pattern At 60Hz
IRush	LCD Inrush Current	-	-	2.5	[A]	Note 1
PDD	VDD Power	-	2.15	2.6	[Watt]	VDD= 5.0V, All Black Pattern At 60Hz
VDDrp	Allowable Logic/LCD Drive Ripple Voltage	-	-	300	[mV] p-p	VDD= 5.0V, All Black Pattern At 60Hz

**Note 1:** Measurement conditions:

The duration of rising time of power input is 470 us.



### 5.1.2 LVDS DC Signal Electrical Characteristics

Symbol	Parameter	Min	Typ	Max	Units	Condition
VTH	Differential Input High Threshold	-	+50	+100	[mV]	VICM = 1.2V

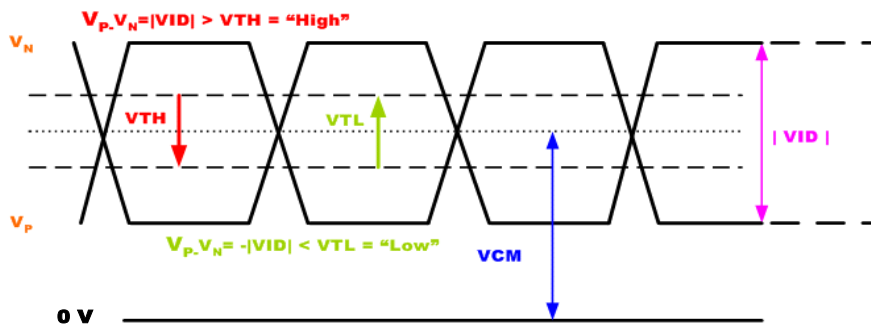
AUO Display+

VTL	Differential Input Low Threshold	-100	-50	-	[mV]	VICM = 1.2V
VID	Input Differential Voltage	100	-	600	[mV]	
VICM	Differential Input Common Mode Voltage	+1.0	+1.2	+1.5	[V]	VTH-VTL = 200MV (max)

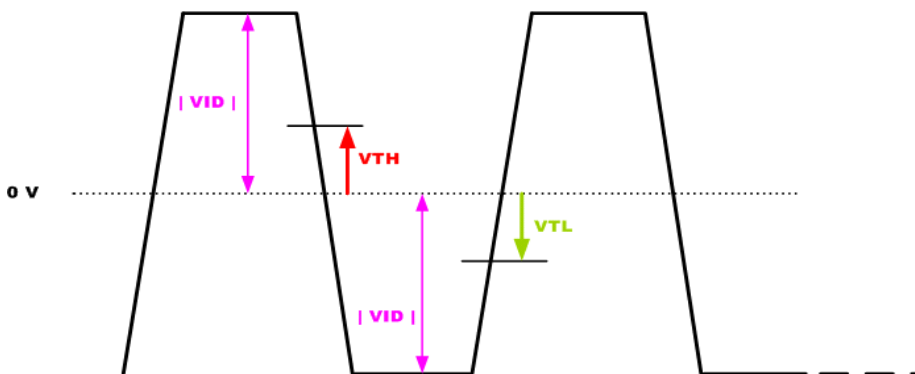
Input signals shall be low or Hi-Z state when VDD is off.

**Note 1:** LVDS Signal Waveform

Single-end Signal



Differential Signal



ADP Confide

sdul Use Only

## 5.2 Backlight Unit

### 5.2.1 LED Backlight Unit : LED Driver Connector

Connector Name / Designation	LED Connector
Manufacturer	E&T or compatible
Connector Model Number	3808K-F05N-12R or compatible
Mating Connector Model Number	H208K-D05N-22B or compatible

Pin No.	Symbol	Description
Pin1	VCC	12V input
Pin2	GND	GND
Pin3	On/OFF Enable	5V-ON,0V-OFF LED enable
Pin4	Dimming	PWM/Analog
Pin5	NA	NC

### 5.2.2 Parameter guideline for LED

Following characteristics are measured under a stable condition using an inverter at 25°C (Room Temperature):

#### LED characteristics

Symbol	Parameter	Min	Typ	Max	Units	Condition
PLED	Backlight Power Consumption	-	6.6	7.92	[Watt]	No Backlight Unit
LTLED	LED Life-Time	50,000	-	-	Hour	No Backlight Unit

**Note 1:** Calculator value for reference  $P_{LED} = V_F$  (Normal Distribution) \*  $I_F$  (Normal Distribution) / Efficiency

**Note 2:** The LED life-time define as the estimated time to 50% degradation of initial luminous at  $T_a = 25^\circ\text{C}$ .

#### Backlight input signal characteristics

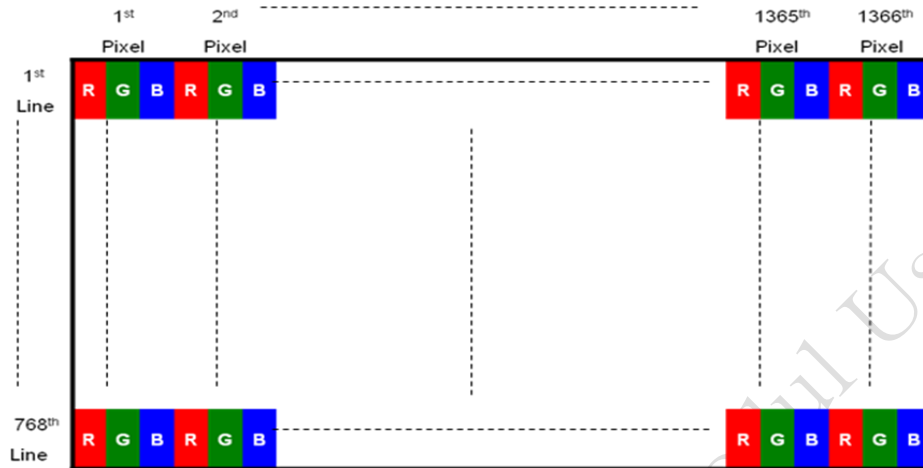
Symbol	Parameter	Min	Typ	Max	Units	Remark
VLED (Note 1)	LED Power Supply	10.8	12	13.2	[Volt]	Define as Connector Interface ( $T_a=25^\circ\text{C}$ )
VLED_EN	LED Enable Input High Level	3.0	3.3	5.0	[Volt]	
	LED Enable Input Low Level	--	--	0.8	[Volt]	
VPWM_EN	PWM Logic Input High Level	3.0	3.3	5.0	[Volt]	
	PWM Logic Input Low Level	--	--	0.5	[Volt]	
FPWM	PWM Input Frequency *1	200	--	20K	Hz	
Duty	PWM Duty Ratio 200Hz~5kHz	5	--	100	%	
Duty	PWM Duty Ratio 5kHz~20kHz	15	--	100	%	
Ivcc	Input Current	-	0.55	0.66	A	100% Dimming

**Note1:** Measured on panel VLED

## 6. Signal Characteristic

### 6.1 Pixel Format Image

Following figure shows the relationship of the input signals and LCD pixel format.



### 6.2 Signal Description

The module uses a LVDS receiver embedded in AUO's ASIC. LVDS is a differential signal technology for LCD interface and a high-speed data transfer device.

#### TFT LCD Module: LVDS Connector

Connector Name / Designation	Signal Connector
Manufacturer	JAE / STM
Connector Model Number	FI-XB30SSL-HF15 / MSBKT2407P30HB or compatible
Adaptable Plug	FI-X30HL (Locked Type) or compatible

#### Pin Assignment

PIN no	Symbol	Function	Remark
1	Reserved	No Connection	
2	Reserved	No Connection	
3	Reserved	No Connection	
4	GND	Ground	
5	RXIN0-	-LVDS Differential Data Input, CH0	
6	RXIN0+	+LVDS Differential Data Input, CH0	
7	GND	Ground	
8	RXIN1-	-LVDS Differential Data Input, CH1	
9	RXIN1+	+LVDS Differential Data Input, CH1	

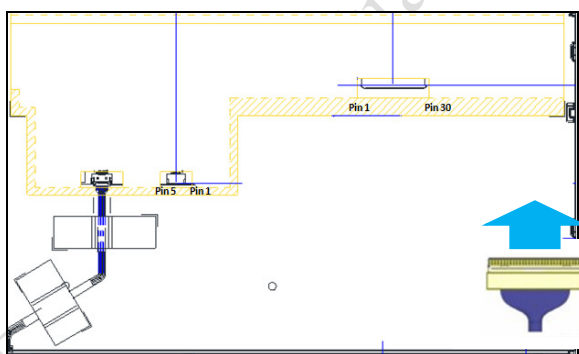
AUO Display+

10	GND	Ground	
11	RXIN2-	-LVDS Differential Data Input, CH2	
12	RXIN2+	+LVDS Differential Data Input, CH2	
13	GND	Ground	
14	RXCLKIN-	-LVDS Differential Clock Input, CH3	
15	RXCLKIN+	+LVDS Differential Clock Input, CH3	
16	GND	Ground	
17	RXIN3-	-LVDS Differential Data Input, CH3	
18	RXIN3+	+LVDS Differential Data Input, CH3	
19	GND	Ground	
20	Reserved	Internal used (recommend no connection )	
21	Reserved	Internal used (recommend no connection )	
22	Reserved	Internal used (recommend no connection )	
23	GND	Ground	
24	GND	Ground	
25	GND	Ground	
26	AVDD	Power +5V, (typical)	
27	AVDD	Power +5V, (typical)	
28	AVDD	Power +5V, (typical)	
29	AVDD	Power +5V, (typical)	
30	AVDD	Power +5V, (typical)	

**Note 1:** Input Signals shall be in low status when VDD is off.

**Note 2:** High stands for “3.3V”, Low stands for “0V”, NC means “No Connection”.

**Note 3:** RSV means “Reserved”.



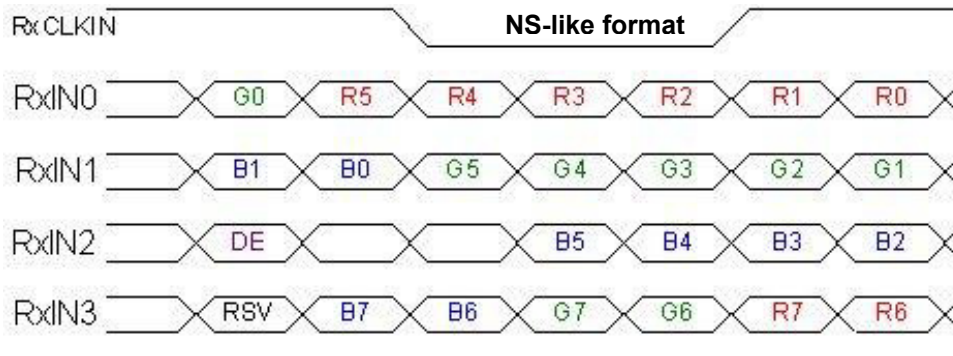
**Note 4:** 30pin start from left side of connector.

**Note 5:** Input signals shall be low or High-impedance state when VDD is off.



## 6.3 The Input Data Format

**SEL68 = "High" for 8 bits LVDS Input**



**Note1:** Please follow PSWG.

**Note2:** R/G/B data 7:MSB, R/G/B data 0:LSB

Signal Name	Description	Remark
R7	Red Data 7	Red-pixel Data
R6	Red Data 6	
R5	Red Data 5	For 8Bits LVDS input
R4	Red Data 4	MSB: R7 ; LSB: R0
R3	Red Data 3	
R2	Red Data 2	For 6Bits LVDS input
R1	Red Data 1	MSB: R5 ; LSB: R0
R0	Red Data 0	
G7	Green Data 7	Green-pixel Data
G6	Green Data 6	
G5	Green Data 5	For 8Bits LVDS input
G4	Green Data 4	MSB: G7 ; LSB: G0
G3	Green Data 3	
G2	Green Data 2	For 6Bits LVDS input
G1	Green Data 1	MSB: G5 ; LSB: G0
G0	Green Data 0	
B7	Blue Data 7	Blue-pixel Data
B6	Blue Data 6	
B5	Blue Data 5	For 8Bits LVDS input
B4	Blue Data 4	MSB: B7 ; LSB: B0
B3	Blue Data 3	
B2	Blue Data 2	For 6Bits LVDS input
B1	Blue Data 1	MSB: B5 ; LSB: B0
B0	Blue Data 0	
RxCLKIN	LVDS Data Clock	
DE	Data Enable Signal	When the signal is high, the pixel data shall be valid to be displayed.

**Note:** Output signals from any system shall be low or Hi-Z state when VDD is off.

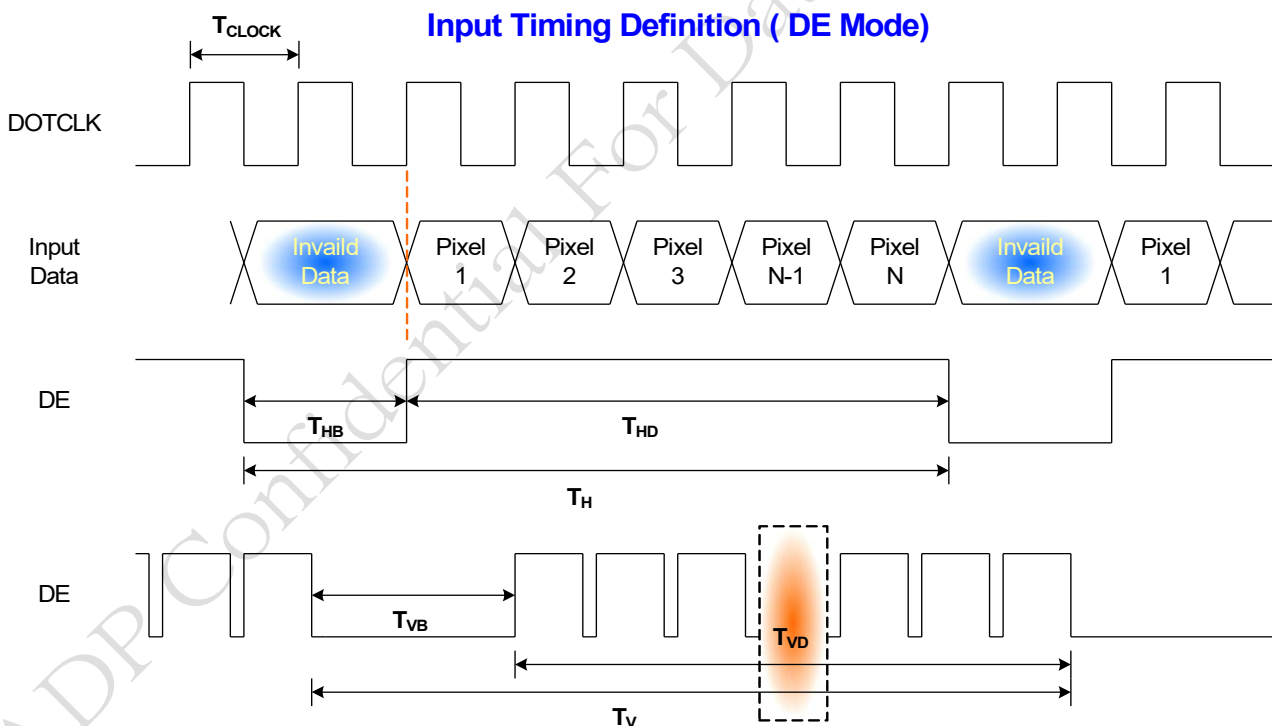
## 6.4 Interface Timing

### 6.4.1 Timing Characteristics

Signal		Symbol	Min	Typ	Max	Unit
Clock Frequency		$1/T_{Clock}$	60	76	90	MHz
Vertical Section	Period	$T_V$	1446	1566	1936	$T_{Line}$
	Active	$T_{VD}$	1366	1366	1366	
	Blanking	$T_{VB}$	80	200	570	
Horizontal Section	Period	$T_H$	778	806	888	$T_{Clock}$
	Active	$T_{HD}$	768	768	768	
	Blanking	$T_{HB}$	10	38	120	
Frame Rate		F	50	60	75	Hz

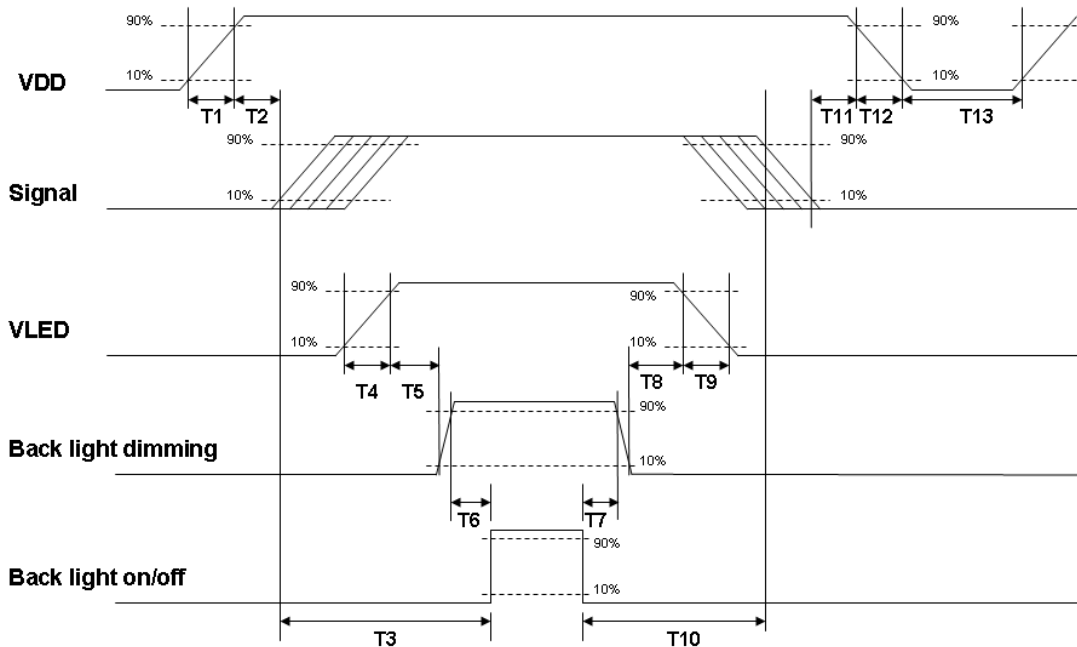
**Note :** DE mode only

### 6.4.2 Input Timing Diagram



## 6.5 Power ON/OFF Sequence

VDD power and LED on/off sequence are as follows. Interface signals are also shown in the chart. Signals from any system shall be Hi-Z state or low level when VDD is off.



Power ON/OFF sequence timing

Parameter	Value			Units
	Min.	Typ.	Max.	
T1	0.5	-	10	[ms]
T2	0	40	50	[ms]
T3	200	-	-	[ms]
T4	0.5	-	10	[ms]
T5	10	-	-	[ms]
T6	10	-	-	[ms]
T7	0	-	-	[ms]
T8	10	-	-	[ms]
T9	-	-	10	[ms]
T10	110	-	-	[ms]
T11	0.5	16	50	[ms]
T12	-	-	100	[ms]
T13	1000	-	-	[ms]

The above on/off sequence should be applied to avoid abnormal function in the display. Please make sure to turn off the power when you plug the cable into the input connector or pull the cable out of the connector.

## 7. Reliability Test Criteria

Environment test conditions are listed as following table.

Items	Required Condition	Note
Temperature Humidity Bias (THB)	Ta= 50 °C, 80%RH, 300hours	
High Temperature Operation (HTO)	Ta= 60 °C, 300hours, For panel surface temp.	
Low Temperature Operation (LTO)	Ta= 0 °C, 300hours	
High Temperature Storage (HTS)	Ta= 60 °C, 300hours	
Low Temperature Storage (LTS)	Ta= -20 °C, 300hours	
Thermal Shock Test (TST)	-20 °C /30min, 60 °C /30min, 100 cycles	
Hot Start Test	70 °C /1 Hr min. Power on/off per 5 minutes, 5 times	
Cold Start Test	-20 °C /1 Hr min. Power on/off per 5 minutes, 5 times	
Shock Test (Non-operation)	50G,20ms,Half-sine wave,(+X,+Y,+Z)	
Vibration Test (Non-operation)	1.5G, 10~200~10Hz, Sine wave 30mins/axis, 3 direction (X, Y, Z)	
On/Off Test	On/10sec, Off/10sec, 30,000 cycles	
ESD	Contact : ± 8KV/ operation, Class B Air : ± 15KV / operation, Class B	Note 1
EMI	30-230 MHz, limit 40 dBu V/m, 230-1000 MHz, limit 47 dBu V/m	

**Note 1:** According to EN61000-4-2 , ESD class B: Some performance degradation allowed. No data lost

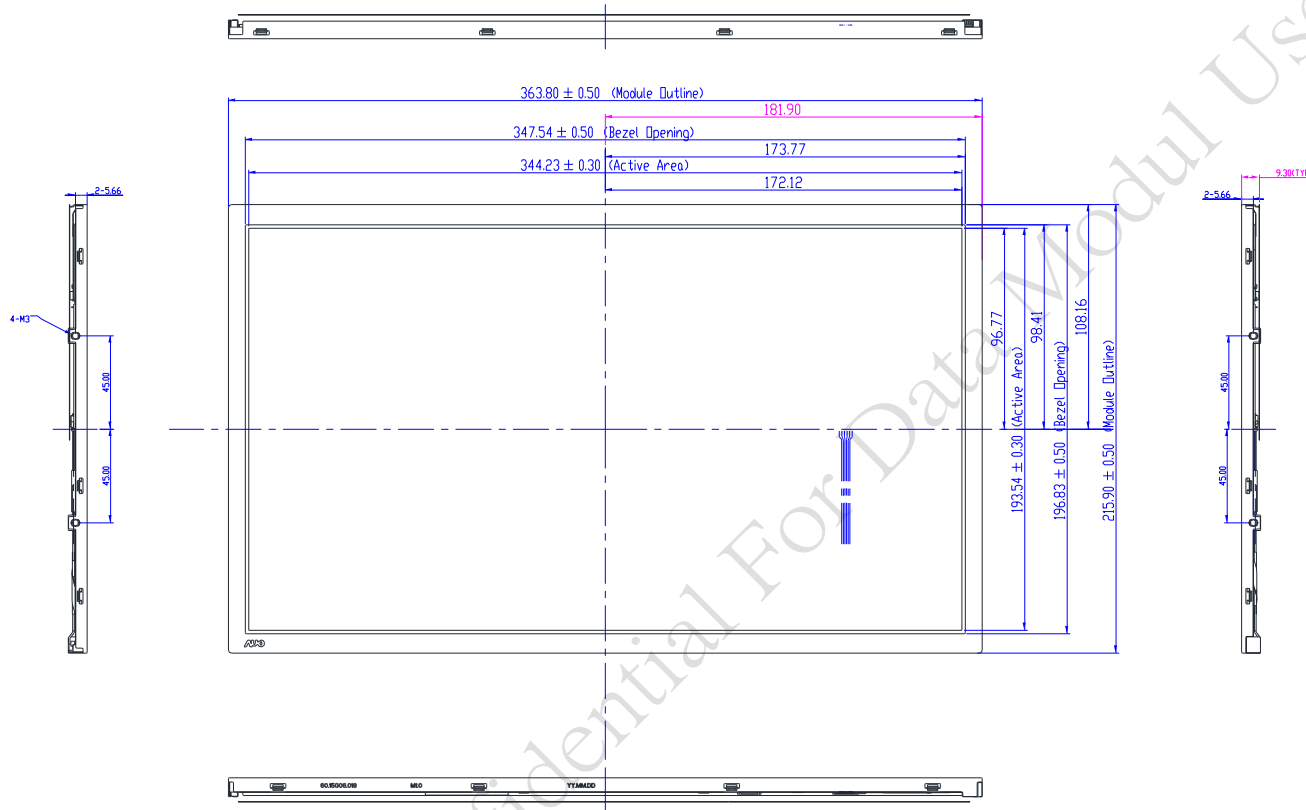
Self-recoverable. No hardware failures.

**Note 2:**

- Water condensation is not allowed for each test items.
- Each test is done by new TFT-LCD module. Don't use the same TFT-LCD module repeatedly for reliability test.
- The reliability test is performed only to examine the TFT-LCD module capability. No function failure occurs. Mura shall be ignored after high temperature reliability test.
- To inspect TFT-LCD module after reliability test, please store it at room temperature and room humidity for 24 hours at least in advance.

## 8. Mechanical Characteristics

### 8.1 LCM Outline Dimension (Front View)



**NOTE:**

- 1.PRELIMINARY DRAWING FOR REFERENCE ONLY.
- 2.TOLERANCE WITHOUT SPECIFIED TO BE 0.5 MM.
- 3.I/F CONNECTOR: STM MSBKT2407P30HB OR JAE FI-XB30SSL-HF15.
- 4.THIS DIMENSION EXCLUDES DEFORMATION.
- 5.TORQUE OF M3 USER HOLE SHOULD BE WITHIN 4 KGF-CM AND RE-SCREW 10 TIMES.
- 6.M3 SCREW USER HOLE DP=3.6 MAX SCREW PENETRATION



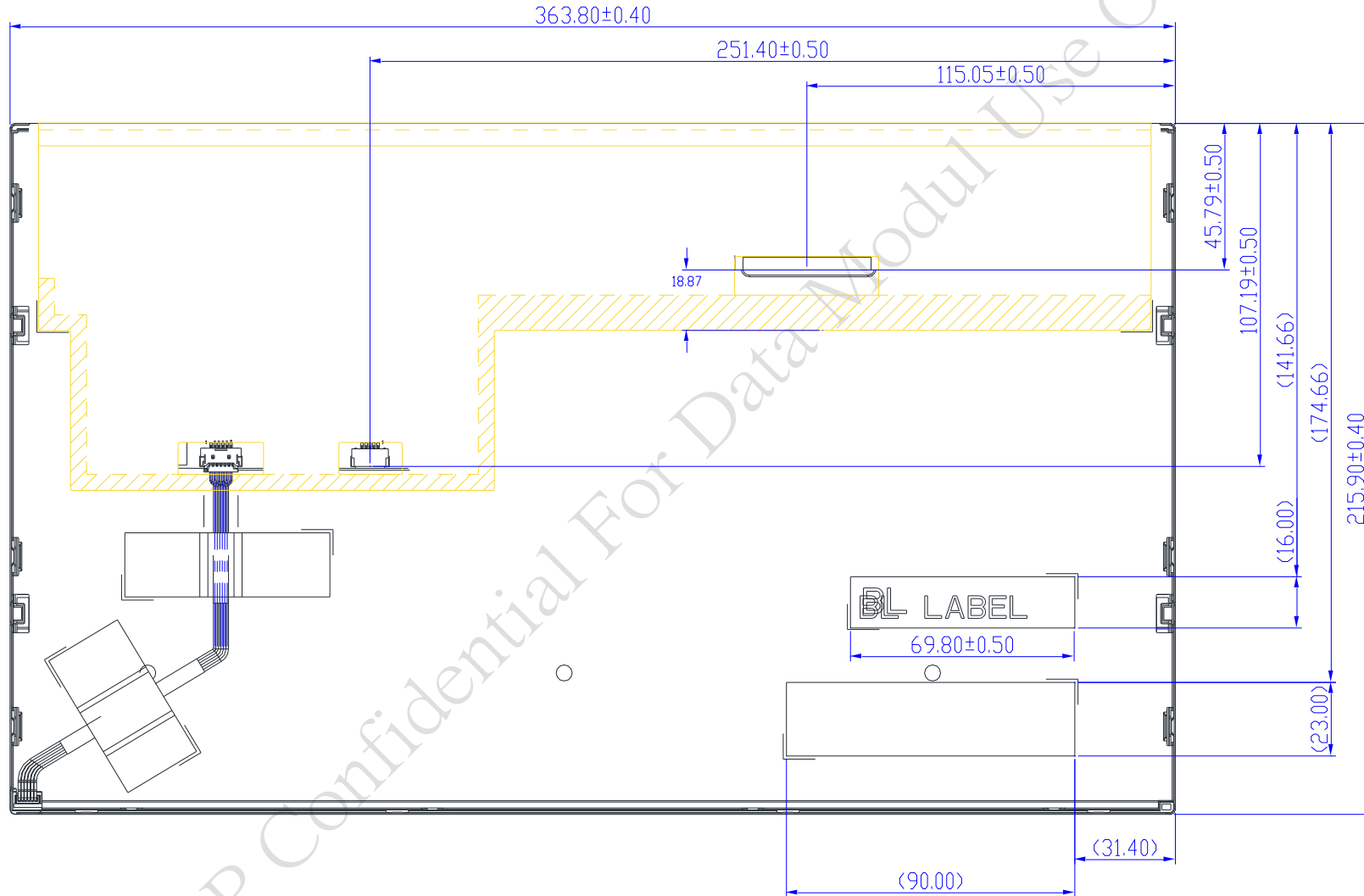
AUO Display+

# Product Specification

G156XW01 v312

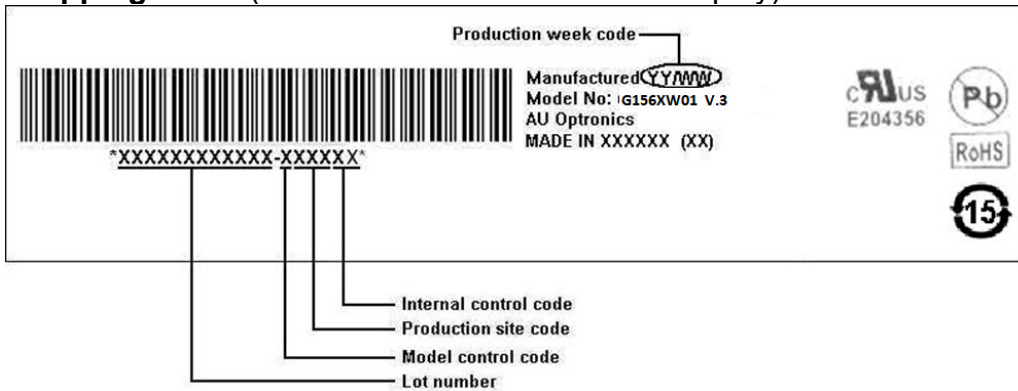
AU OPTRONICS CORPORATION

## 8.2 LCM Outline Dimension (Rear View)

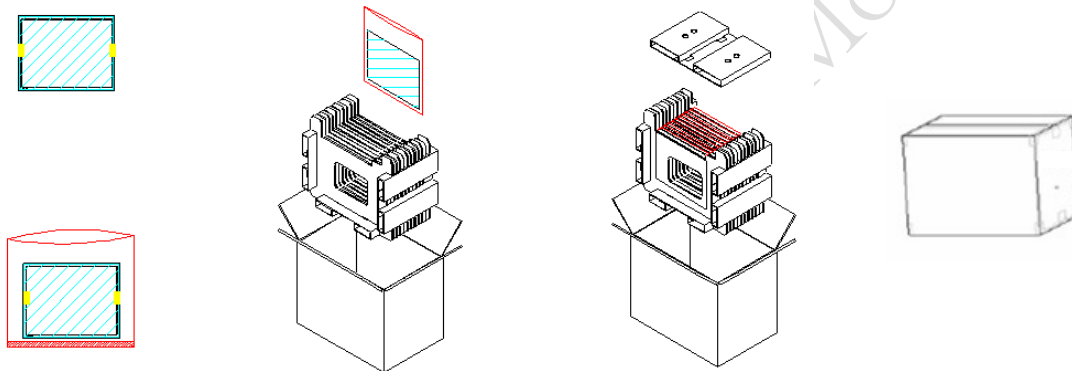


## 9. Packaging Spec

### 9.1 Shipping Label (on the rear side of TFT-LCD display)



### 9.2 Carton & Pallet Package



Max capacity : 16 TFT-LCD module per carton

Max weight: 15.3 kg per carton

Outside dimension of carton: 450mm(L)\*375mm(W)\*319mm(H)

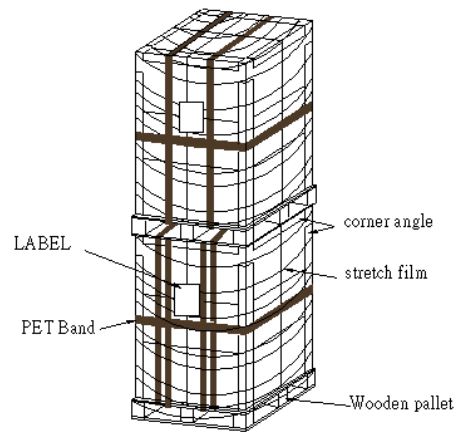
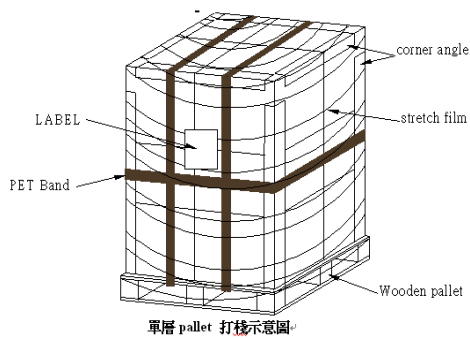
Pallet size : 1150 mm\* 910 mm\*132mm

#### Box stacked

Module by air : (2 \*3) \*4 layers · one pallet put 24 boxes, total 384pcs module

Module by sea : (2 \*3) \*4 layers+(2 \*3) \*1 layers, two pallet put 30 boxes, total 480pcs module

Module by sea\_HQ : (2 \*3) \*4 layers+(2 \*3) \*2 layers, two pallet put 36 boxes, total 576 pcs module



## 10. Safety

### 10.1 Sharp Edge Requirements

There will be no sharp edges or comers on the display assembly that could cause injury.

### 10.2 Materials

#### 10.2.1 Toxicity

There will be no carcinogenic materials used anywhere in the display module. If toxic materials are used, they will be reviewed and approved by the responsible AUO toxicologist.

#### 10.2.2 Flammability

All components including electrical components that do not meet the flammability grade UL94-V1 in the module will complete the flammability rating exception approval process.

The printed circuit board will be made from material rated 94-V1 or better. The actual UL flammability rating will be printed on the printed circuit board.

### 10.3 Capacitors

If any polarized capacitors are used in the display assembly, provisions will be made to keep them from being inserted backwards.

### 10.4 National Test Lab Requirement

The display module will satisfy all requirements for compliance to:

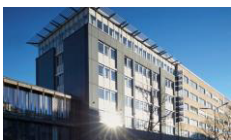
UL 60950-1 second edition

U.S.A. Information Technology Equipment





ALL TECHNOLOGIES. ALL COMPETENCIES. ONE SPECIALIST.



DATA MODUL AG  
Landsberger Straße 322  
DE-80687 Munich  
Phone: +49-89-56017-0

DATA MODUL WEIKERSHEIM GMBH  
Lindenstraße 8  
DE-97990 Weikersheim  
Phone: +49-7934-101-0

