



SPECIFICATION

BOE

HM150X01-N01

15.0" TFT - XGA - LVDS

Version: 3.0

Date: 27.08.2019

Note: This specification is subject to change without prior notice



PROPRIETARY NOTE

THIS SPECIFICATION IS THE PROPERTY OF BOE OT AND SHALL NOT BE REPRODUCED OR COPIED WITHOUT THE WRITTEN PERMISSION OF BOE OT AND MUST BE RETURNED TO BOE OT UPON ITS REQUEST

HM150X01-N01
Product Specification (RGB)

BEIJING BOE OPTOELECTRONICS TECHNOLOGY

SPEC. NUMBER
S801-5127

PRODUCT GROUP
TFT-LCD

REV.
B

ISSUE DATE
2019.08.27

PAGE
1 OF 26

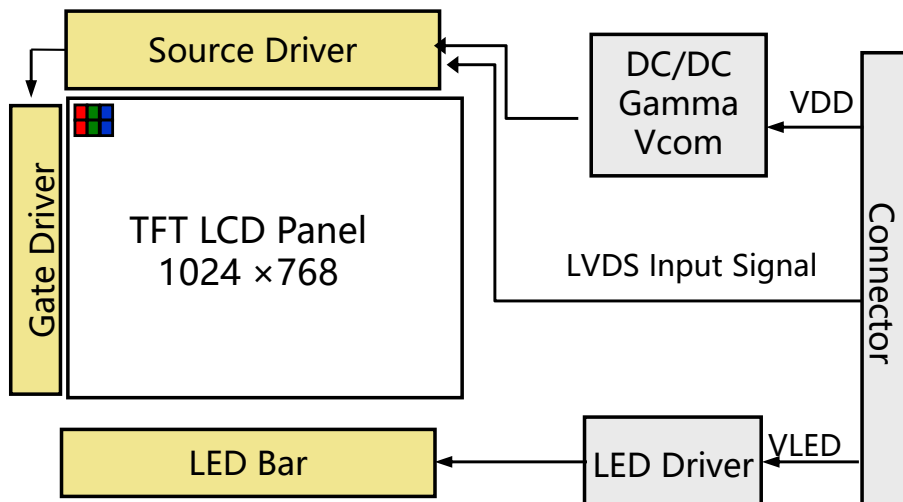
Contents

No.	Items	Page
1.0	General Description	4
2.0	Absolute Maximum ratings	6
3.0	Electrical specifications.	7
4.0	Optical specifications.	9
5.0	Interface Connection	13
6.0	Signal Timing Specifications	16
7.0	INPUT SIGNALS, BASIC DISPLAY COLORS & GRAY SCALE OF COLORS	17
8.0	POWER SEQUENCE	18
9.0	MECHANICAL CHARACTERISTICS	19
10.0	RELIABILITY TEST	20
11.0	HANDLING & CAUTIONS	21
12.0	LABEL	22
13.0	PACKING INFORMATION	24
14.0	Mechanical Outline Dimension	25

1.0 GENERAL DESCRIPTION

1.0.1 Introduction

HM150X01-N01 is a color active matrix TFT LCD module using amorphous silicon TFT's (Thin Film Transistors) as an active switching devices. This module has a 15.0 inch diagonally measured active area with XGA resolutions (1024 horizontal by 768 vertical pixel array). Each pixel is divided into RED, GREEN, BLUE dots which are arranged in vertical stripe and this module can display 16.2M colors. The TFT-LCD panel used for this module is adapted for a low reflection and higher color type.



1.0.2 Features

- LED back-light
- LED light bar replaceable
- LVDS interface
- RoHS Compliant

1.0.3 Application

- TFT-LCD Monitor
- Reliability Application

1.0.4 General Specification

< Table 1. General Specifications >

Parameter	Specification	Unit	Remarks
Active area	304.128 (H) × 228.096(V)	mm	
Number of pixels	1024(H) × 768(V)	Pixels	
Pixel pitch	0.297(H) × 0.297 (V)	mm	
Pixel arrangement	RGB Vertical stripe		
Display colors	16.2M	Colors	6bit+FRC
Display mode	Normally White		
Dimensional outline	326.5 (H) × 253.5(V) × 9.7(D) typ.	mm	10max
Weight	850	g	typ
Surface treatment	Haze 25%, 3H		
Back-light	Edge side, 1-LED Lighting Bar Type		27*LED
LED life	50000	hr	min

2.0 ABSOLUTE MAXIMUM RATINGS

The followings are maximum values which, if exceed, may cause faulty operation or damage to the unit. The operational and non-operational maximum voltage and current values are listed in Table 2.

< Table 2. LCD Module Electrical Specifications > [Ta =25±2 °C]

Parameter	Symbol	Min.	Max.	Unit	Remarks
LCD Power Supply Voltage	VDD	-0.3	4	V	
Back-light Power Supply Voltage	HVDD	-0.3	24	V	
Back-light LED Reverse Voltage	V _R	-	40	V	
Operating Temperature	T _{OP}	-20	70	°C	
Storage Temperature	T _{ST}	-20	70	°C	

3.0 ELECTRICAL SPECIFICATIONS

3.0.1 TFT LCD Module

< Table 3. LCD Module Electrical Specifications >

[Ta =25±2 °C]

Parameter	Symbol	Values			Unit	Notes
		Min	Typ	Max		
Power Supply Input Voltage	V _{DD}	3.0	3.3	3.6	V	Note 1
Power Supply Current	I _{DD}	-	520	700	mA	
LED Driver Power Supply Voltage	H _{VDD}	10.8	12	12.6	V	Note 2
LED Driver Power Supply Current	I _{HVDD}	467	500	534	mA	
LED Power Consumption	P _{LED}	5.6	6.0	6.4	W	
Positive-going Input Threshold Voltage	V _{IT+}	-		+100	mV	V _{com} = 1.2V typ.
Negative-going Input Threshold Voltage	V _{IT-}	-100		-	mV	
Differential input common mode voltage	V _{com}		1.2		V	V _{IH} =100mV, V _{IL} =-100mV

Notes : 1. The supply voltage is measured and specified at the interface connector of LCM.
The current draw and power consumption specified is for 3.3V at 25 °C
Max value at Black Pattern

2. Calculated value for reference $I_{LED} \times V_{LED} \div 0.85 = P_{LED}$

3.0.2 Back-light Unit

< Table 4. LED Driving guideline specifications >

Ta=25+/-2°C

Parameter		Min.	Typ.	Max.	Unit	Remarks	
LED Life-Time	N/A	50,000	-	-	Hour	IF = 60mA Note 2	
Power supply voltage for Back light	V _{LED}	26.1	27.9	29.7	V		
Power supply Current for Back light	I _{LED}	-	180	-	mA		
Power supply for Back light	P _{LED}	4.7	5.1	5.4	W	Note 1	
EN Control Level	Backlight on	V _{ENH}	2	3.3	5	V	EN logic high voltage
	Backlight off	V _{ENL}	0	0	0.6	V	EN logic low voltage
PWM Control Level	PWM High Level	V _{PML}	2	3.3	5	V	
	PWM Low Level	V _{PML}	0	0	0.6	V	
PWM Control Frequency	F _{PWM}	0.12	-	1	KHz		
Duty Ratio	-	5	-	100	%		

Notes : 1. Calculator Value for reference $I_{LED} \times V_{LED} = P_{LED}$

2. The LED Life-time define as the estimated time to 50% degradation of initial luminous under the condition of the ambient temperature of 25°C.

4.0 OPTICAL SPECIFICATION

4.0.1 Overview

The test of view angle range shall be measured in a dark room (ambient luminance ≤ 1 lux and temperature = $25 \pm 2^\circ\text{C}$) with the equipment of Luminance meter system (Goniometer system and TOPCON CS2000/CA310) and test unit shall be located at an approximate distance 50cm from the LCD surface at a viewing angle of θ and Φ equal to 0° . We refer to $\theta \emptyset = 0$ ($= \theta 3$) as the 3 o'clock direction (the "right"), $\theta \emptyset = 90$ ($= \theta 12$) as the 12 o'clock direction ("upward"), $\theta \emptyset = 180$ ($= \theta 9$) as the 9 o'clock direction ("left") and $\theta \emptyset = 270$ ($= \theta 6$) as the 6 o'clock direction ("bottom"). While scanning θ and/or \emptyset , the center of the measuring spot on the Display surface shall stay fixed. The luminance, color and uniformity (etc) should be tested by CS2000/CA310. The backlight should be operating for 10 minutes prior to measurement. VDD shall be $3.3 \pm 0.3\text{V}$ at 25°C . Optimum viewing angle direction is 6 'clock

<Table 5. Optical Specifications>

Parameter		Symbol	Condition	Min.	Typ.	Max.	Unit	Remark
Viewing Angle range	Horizontal	Θ_3	CR > 10	-	80	-	Deg.	Note 1
		Θ_9		-	80	-	Deg.	
	Vertical	Θ_{12}		-	80	-	Deg.	
		Θ_6		-	80	-	Deg.	
Luminance Contrast ratio		CR	$\Theta = 0^\circ$	400	700	-		Note 2
Luminance of White	Center	Y_w	$\Theta = 0^\circ$	280	350	-	cd/m ²	Note 3
White Luminance uniformity	9 Points	ΔY_9		75	80	-	%	Note 4
Reproduction of color	White	W_x	$\Theta = 0^\circ$	Typ -0.03	0.313	Typ +0.03		Note 5
		W_y			0.329			
	Red	R_x			0.631			
		R_y			0.360			
	Green	G_x			0.335			
		G_y			0.601			
	Blue	B_x			0.144			
		B_y			0.127			
Response Time		T_{RT}	$T_a = 25^\circ\text{C}$ $\Theta = 0^\circ$	-	8	12	ms	Note 6
Cross Talk		CT	$\Theta = 0^\circ$	-	-	2.0	%	Note 7

Notes : 1. Viewing angle is the angle at which the contrast ratio is greater than 10. The viewing angles are determined for the horizontal or 3, 9 o'clock direction and the vertical or 6, 12 o'clock direction with respect to the optical axis which is normal to the LCD surface (see FIGURE 1).

2. Contrast measurements shall be made at viewing angle of $\Theta = 0$ and at the center of the LCD surface. Luminance shall be measured with all pixels in the view field set first to white, then to the dark (black) state . (see FIGURE 1) Luminance Contrast Ratio (CR) is defined mathematically.

$$CR = \frac{\text{Luminance when displaying a white raster}}{\text{Luminance when displaying a black raster}}$$

3. Luminance of white is defined as luminance values of center of the LCD surface. Luminance shall be measured with all pixels in the view field set first to white. This measurement shall be taken at the locations shown in FIGURE 2 for a total of the measurements per display. The luminance is measured by CS2000/CA310 when the LED current is set at 60mA.

4. The White luminance uniformity on LCD surface is then expressed as : $\Delta Y = \text{Minimum Luminance of 9 points} / \text{Maximum Luminance of 9 points}$ (see FIGURE 2).

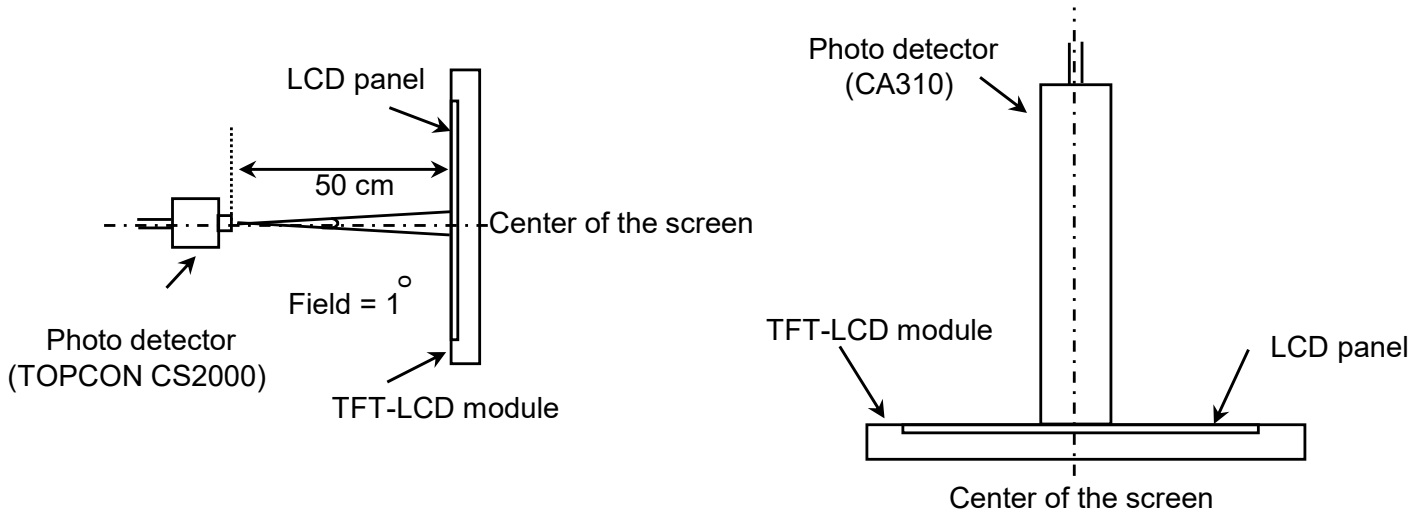
5. The color chromaticity coordinates specified in Table 5. shall be calculated from the spectral data measured with all pixels first in red, green, blue and white. Measurements shall be made at the center of the panel.

6. The electro-optical response time measurements shall be made as FIGURE 3 by switching the "data" input signal ON and OFF. The times needed for the luminance to change from 10% to 90% is T_r , and 90% to 10% is T_d .

7. Cross-Talk of one area of the LCD surface by another shall be measured by comparing the luminance (Y_A) of a 25mm diameter area, with all display pixels set to a gray level, to the luminance (Y_B) of that same area when any adjacent area is driven dark. (See FIGURE 4).

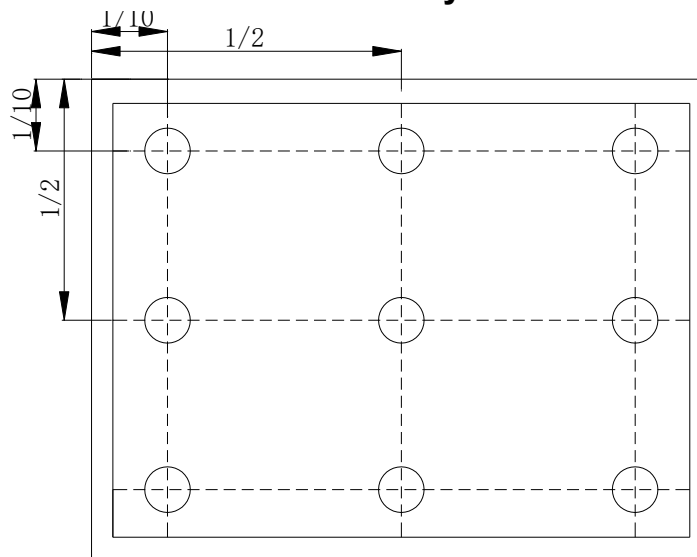
4.0.2 Optical measurements

Figure 1. Measurement Set Up



View angel range, uniformity, etc. measurement setup Flicker, measurement setup

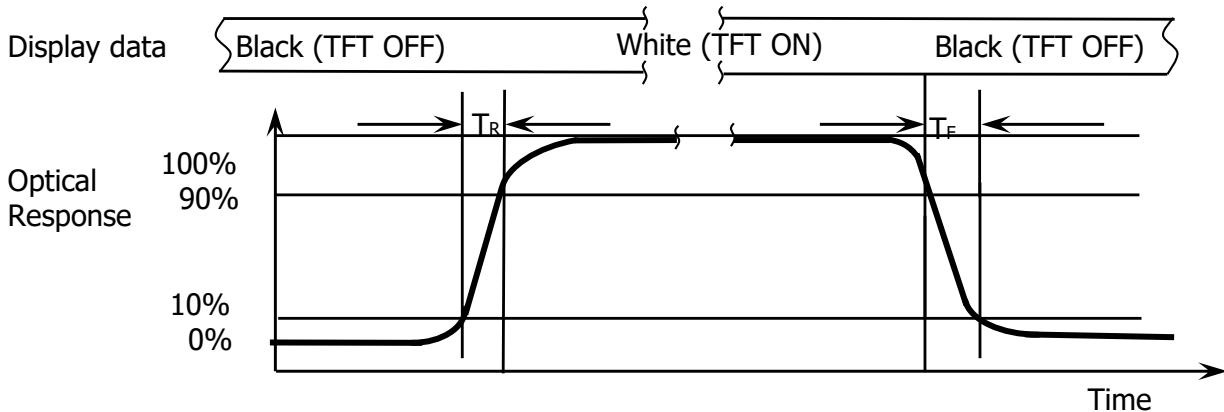
Figure 2. White Luminance and Uniformity Measurement Locations (9 points)



Luminance of white is defined as luminance values of center of the LCD surface. Luminance shall be measured with all pixels in the view field set first to white. This measurement shall be taken at the locations shown in FIGURE 2 for a total of the measurements per display.

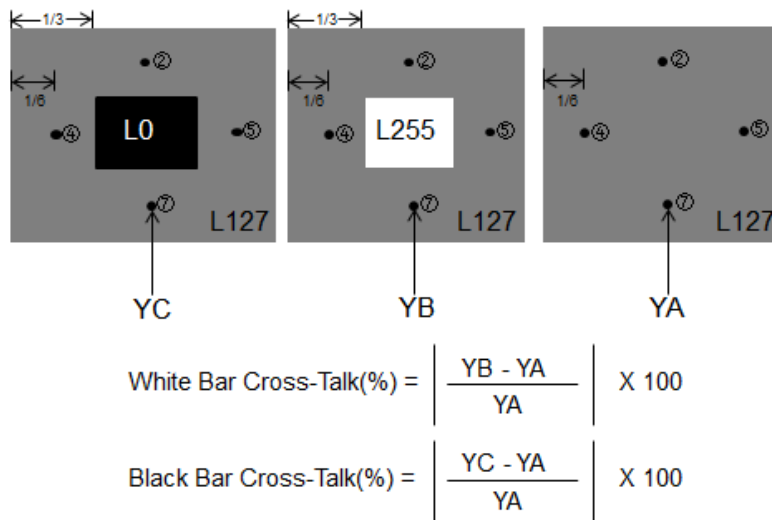
The White luminance uniformity on LCD surface is then expressed as : $\Delta Y9 = \text{Minimum Luminance of 9 points} / \text{Maximum Luminance of 9points}$ (see FIGURE 2).

Figure 3. Response Time Testing



The electro-optical response time measurements shall be made as shown in FIGURE 3 by switching the “data” input signal ON and OFF. The times needed for the luminance to change from 10% to 90% is Tr and 90% to 10% is Td.

Figure 4. Cross Modulation Test Description



Where:

YA = Initial luminance of measured area (cd/m²)

YB = Subsequent luminance of measured area (cd/m²) @White Bar

YC = Subsequent luminance of measured area (cd/m²) @Black Bar

The location measured will be exactly the same in both patterns

5.0 INTERFACE CONNECTION.

5.0.1 Electrical Interface Connection

The electronics interface connector is DF14H-20P-1.25H.

The LED connector is 3808K-F05N-03L

The connector interface pin assignments are listed in Table 6 and 7.

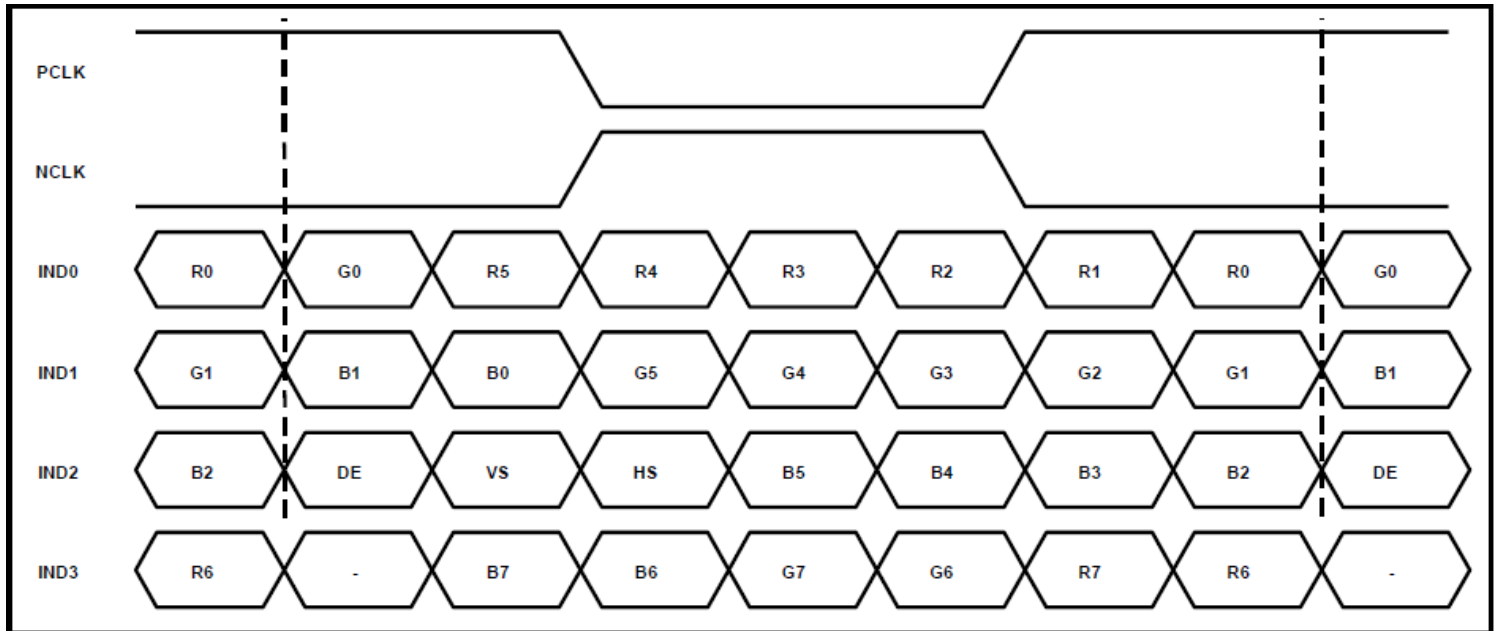
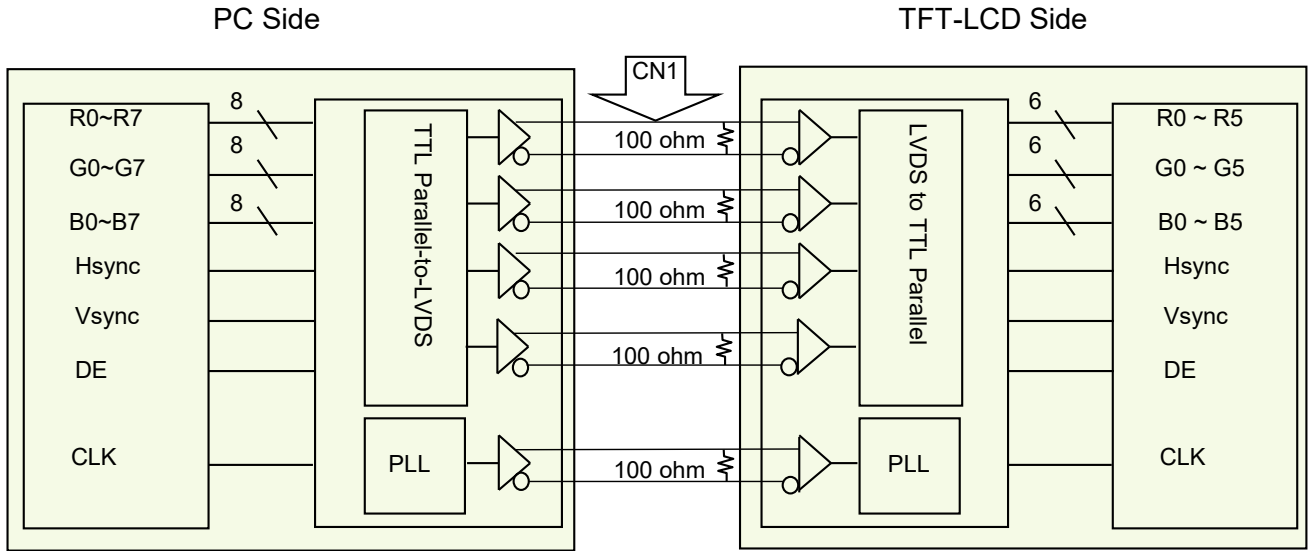
<Table 6. Pin Assignments for the Interface Connector>

Terminal	Symbol	Functions
Pin No.	Symbol	Description
1	VDD	Power Supply,3.3V(typical)
2	VDD	Power Supply,3.3V(typical)
3	VSS	Ground
4	NC	No Connection
5	RIN0-	-LVDS differential data input
6	RIN0+	+LVDS differential data input
7	VSS	Ground
8	RIN1-	-LVDS differential data input
9	RIN1+	+LVDS differential data input
10	VSS	Ground
11	RIN2-	-LVDS differential data input
12	RIN2+	+LVDS differential data input
13	VSS	Ground
14	CLKIN-	-LVDS differential clock input
15	CLKIN+	+LVDS differential clock input
16	VSS	Ground
17	RIN3-	-LVDS differential data input
18	RIN3+	+LVDS differential data input
19	VSS	Ground
20	SEL 8	LVDS 8 bit select function control Low(0V) -> 8bit input mode

<Table 7. Pin Assignments for the LED Connector>

Terminal	Symbol	Functions
Pin No.	Symbol	Description
1	NC	No Connection
2	Dimming	PWM Dimming
3	Enable	5V-On / 0V-Off
4	GND	Ground
5	VCC	12V

5.0.2 LVDS Input signal: VESA Mode



5.0.3 Data Input Format

Figure 5. Pixel Format

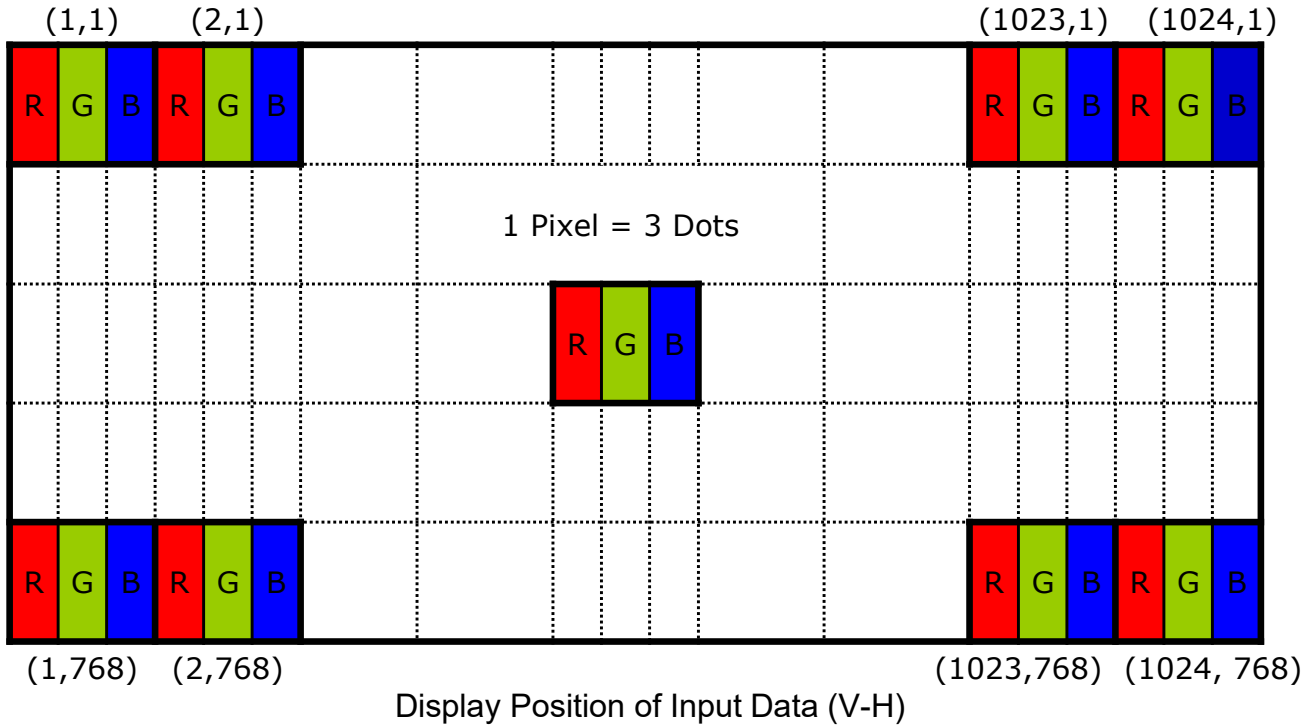
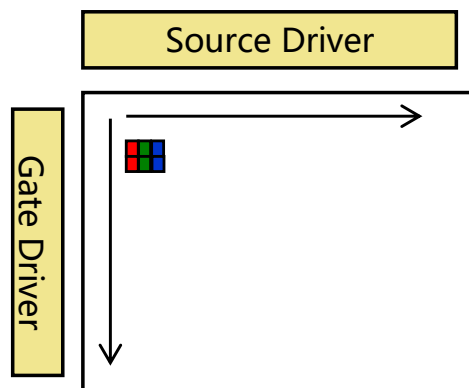


Figure 6. Scan direction



6.0 SIGNAL TIMING SPECIFICATION

6.0.1 The HM150X01-N01 is operated by the DE only.

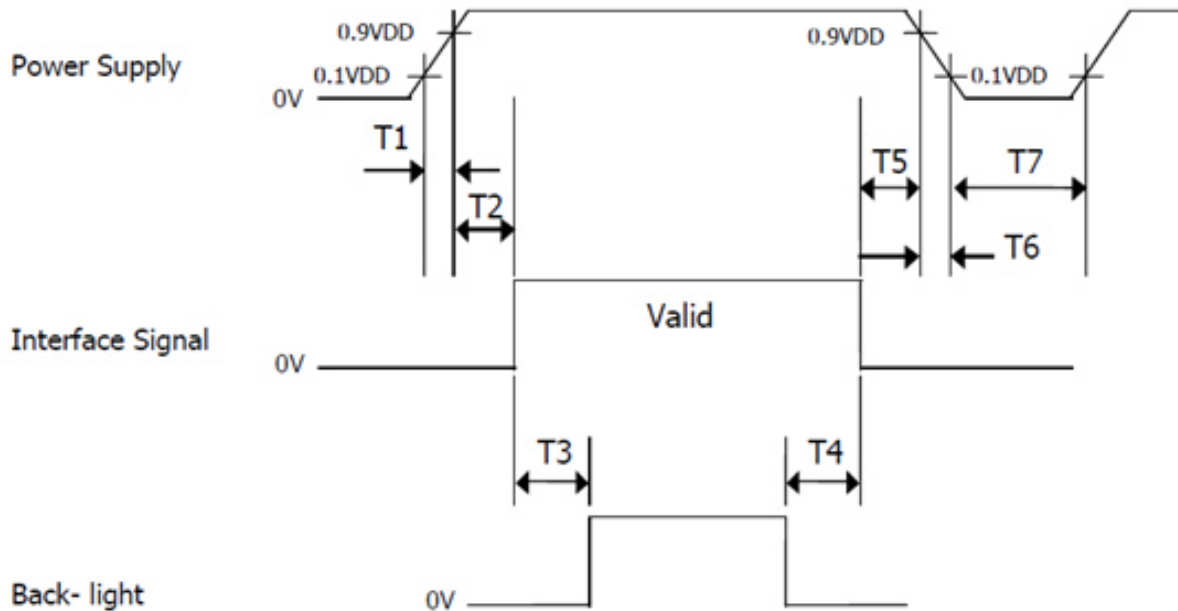
Parameter	Symbol	Value			Unit
		Min.	Typ.	Max.	
DCLK Frequency	fclk	52	65	71	MHz
Horizontal display area	thd	1024			pixel
HSYNC period time	th	1114	1344	1400	pixel
HSYNC blanking	thb+ thfp	90	320	376	pixel
Vertical display area	Tvd	768			H
Frequency	fV	48	60	65	Hz
VSYNC period time	Tv	778	806	845	H
VSYNC blanking	Tvb+ Tvfp	10	38	77	H

7.0 INPUT SIGNALS, BASIC DISPLAY COLORS & GRAY SCALE OF COLORS

Color & Gray Scale		Input Data Signal																						
		Red Data								Green Data								Blue Data						
		R7	R6	R5	R4	R3	R2	R1	R0	G7	G6	G5	G4	G3	G2	G1	G0	B7	B6	B5	B4	B3	B2	B1
Basic Colors	Black	0	0	0	0	0	0	0	0	0	0	0	0	0	0	0	0	0	0	0	0	0	0	0
	Blue	0	0	0	0	0	0	0	0	0	0	0	0	0	0	0	0	1	1	1	1	1	1	1
	Green	0	0	0	0	0	0	0	0	1	1	1	1	1	1	1	0	0	0	0	0	0	0	0
	Cyan	0	0	0	0	0	0	0	0	1	1	1	1	1	1	1	1	1	1	1	1	1	1	1
	Red	1	1	1	1	1	1	1	1	0	0	0	0	0	0	0	0	0	0	0	0	0	0	0
	Magenta	1	1	1	1	1	1	1	1	0	0	0	0	0	0	0	0	1	1	1	1	1	1	1
	Yellow	1	1	1	1	1	1	1	1	1	1	1	1	1	1	1	0	0	0	0	0	0	0	0
	White	1	1	1	1	1	1	1	1	1	1	1	1	1	1	1	1	1	1	1	1	1	1	1
Gray Scale of Red	Black	0	0	0	0	0	0	0	0	0	0	0	0	0	0	0	0	0	0	0	0	0	0	
	Δ	0	0	0	0	0	0	0	1	0	0	0	0	0	0	0	0	0	0	0	0	0	0	
	Darker	0	0	0	0	0	0	1	0	0	0	0	0	0	0	0	0	0	0	0	0	0	0	
	Δ	↑								↑								↑						
	▽	↓								↓								↓						
	Brighter	1	1	1	1	1	1	0	1	0	0	0	0	0	0	0	0	0	0	0	0	0	0	0
	▽	1	1	1	1	1	1	1	0	0	0	0	0	0	0	0	0	0	0	0	0	0	0	0
	Red	1	1	1	1	1	1	1	1	0	0	0	0	0	0	0	0	0	0	0	0	0	0	0
Gray Scale of Green	Black	0	0	0	0	0	0	0	0	0	0	0	0	0	0	0	0	0	0	0	0	0	0	
	Δ	0	0	0	0	0	0	0	0	0	0	0	0	0	0	0	1	0	0	0	0	0	0	
	Darker	0	0	0	0	0	0	0	0	0	0	0	0	0	0	1	0	0	0	0	0	0	0	
	Δ	↑								↑								↑						
	▽	↓								↓								↓						
	Brighter	0	0	0	0	0	0	0	0	1	1	1	1	1	1	0	1	0	0	0	0	0	0	0
	▽	0	0	0	0	0	0	0	0	1	1	1	1	1	1	0	0	0	0	0	0	0	0	0
	Green	0	0	0	0	0	0	0	0	1	1	1	1	1	1	1	0	0	0	0	0	0	0	0
Gray Scale of Blue	Black	0	0	0	0	0	0	0	0	0	0	0	0	0	0	0	0	0	0	0	0	0	0	
	Δ	0	0	0	0	0	0	0	0	0	0	0	0	0	0	0	0	0	0	0	0	0	1	
	Darker	0	0	0	0	0	0	0	0	0	0	0	0	0	0	0	0	0	0	0	0	0	1	
	Δ	↑								↑								↑						
	▽	↓								↓								↓						
	Brighter	0	0	0	0	0	0	0	0	0	0	0	0	0	0	0	1	1	1	1	1	1	0	1
	▽	0	0	0	0	0	0	0	0	0	0	0	0	0	0	0	1	1	1	1	1	1	1	0
	Blue	0	0	0	0	0	0	0	0	0	0	0	0	0	0	0	1	1	1	1	1	1	1	1
Gray Scale of White	Black	0	0	0	0	0	0	0	0	0	0	0	0	0	0	0	0	0	0	0	0	0	0	
	Δ	0	0	0	0	0	0	0	1	0	0	0	0	0	0	0	1	0	0	0	0	0	1	
	Darker	0	0	0	0	0	0	1	0	0	0	0	0	0	0	1	0	0	0	0	0	0	1	
	Δ	↑								↑								↑						
	▽	↓								↓								↓						
	Brighter	1	1	1	1	1	1	0	1	1	1	1	1	1	0	1	1	1	1	1	1	1	0	1
	▽	1	1	1	1	1	1	1	0	1	1	1	1	1	1	0	1	1	1	1	1	1	1	0
	White	1	1	1	1	1	1	1	1	1	1	1	1	1	1	1	1	1	1	1	1	1	1	1

8.0 POWER SEQUENCE

To prevent a latch-up or DC operation of the LCD module, the power on/off sequence shall be as shown in below



Parameter	Values			Units
	Min	Typ	Max	
T1	0	-	10	ms
T2	0	-	50	ms
T3	200	-	-	ms
T4	500	-	-	ms
T5	0	-	50	ms
T6	0	-	10	ms
T7	500	-	-	ms

9.0 MECHANICAL CHARACTERISTICS

9.0.1 Dimensional Requirements

<Table 8. Dimensional Parameters>

Parameter	Specification	Unit
Active Area	304.128 (H) × 228.096(V)	mm
Number of pixels	1024(H) X768 (V) (1 pixel = R + G + B dots)	
Pixel pitch	0.297(H) × 0.297 (V)	mm
Pixel arrangement	RGB Vertical stripe	
Display colors	16.2M (6bit+FRC)	colors
Display mode	Normally White	
Dimensional outline	326.5 (H) × 253.5(V) × 9.7(D) (Typ.)	10mm (Max)
Weight	TBD	gram
Back-light	Edge side, 1-LED Lighting Bar Type	
LED life	50,000 (Min.)	hr

10.0 RELIABILITY TEST

The Reliability test items and its conditions are shown in below.

<Table 9. Reliability test>

Item		Test condition
High temperature storage		70 °C, 240 hrs
Low temperature storage		-20°C, 240 hrs
High temperature & high humidity operation		50 °C, 80%RH, 240hrs
High temperature operation		70 °C, 240hrs
Low temperature operation		-20°C, 240hrs
Vibration test	Frequency	10/ 200/10 Hz,Sine X/Y/Z Direction
	Gravity / AMP	1.5 G
	Period	±X, ±Y, ±Z 30 min
Shock test	Gravity	50G
	Pulse width	11msec, Half-sine wave
	Direction	±X, ±Y, ±Z
On/Off test		On/5sec, Off/5sec, 3,000 cycles
ESD	Air	± 15KV, 150pF(330) 1sec, 100 points, 1 times/ point
	Contact	± 8KV, 150pF(330) 1sec, 100 points, 1 times/ point

11.0 HANDLING & CAUTIONS

(1) Cautions when taking out the module

- Pick the pouch only, when taking out module from a shipping package.

(2) Cautions for handling the module

- As the electrostatic discharges may break the LCD module, handle the LCD module with care. Peel a protection sheet off from the LCD panel surface as slowly as possible.
- As the LCD panel and back - light element are made from fragile glass material, impulse and pressure to the LCD module should be avoided.
- As the surface of the polarizer is very soft and easily scratched, use a soft dry cloth without chemicals for cleaning.
- Do not pull the interface connector in or out while the LCD module is operating.
- Put the module display side down on a flat horizontal plane.
- Handle connectors and cables with care.

(3) Cautions for the operation

- When the module is operating, do not lose CLK, ENAB signals. If any one of these signals is lost, the LCD panel would be damaged.
- Obey the supply voltage sequence. If wrong sequence is applied, the module would be damaged.

(4) Cautions for the atmosphere

- Dew drop atmosphere should be avoided.
- Do not store and/or operate the LCD module in a high temperature and/or humidity atmosphere. Storage in an electro-conductive polymer packing pouch and under relatively low temperature atmosphere is recommended.

(5) Cautions for the module characteristics

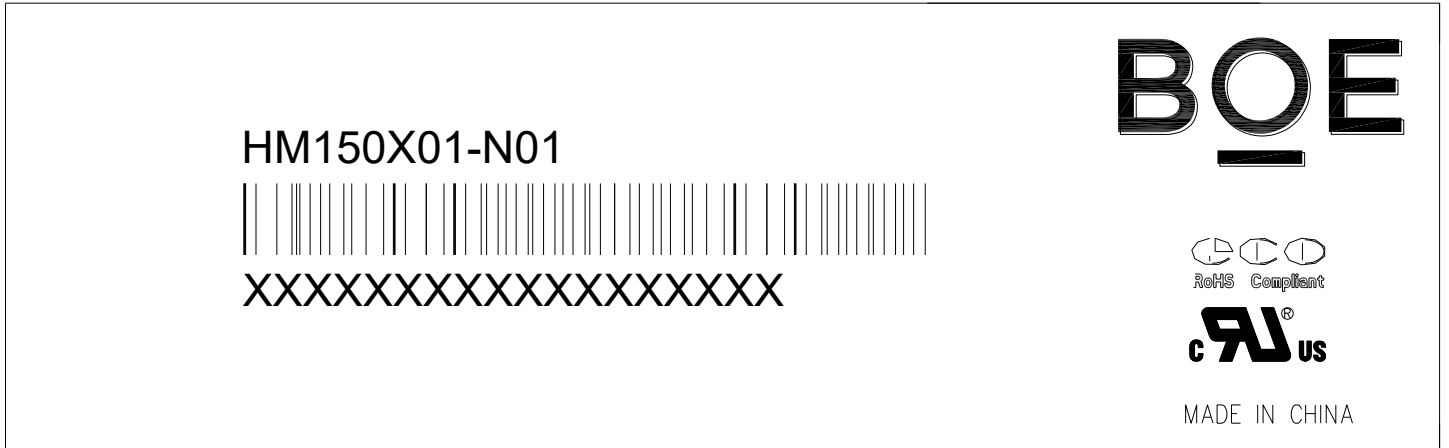
- Do not apply fixed pattern data signal to the LCD module at product aging.
- Applying fixed pattern for a long time may cause image sticking.

(6) Other cautions

- Do not disassemble and/or re-assemble LCD module.
- Do not re-adjust variable resistor or switch etc.
- When returning the module for repair or etc., Please pack the module not to be broken. We recommend to use the original shipping packages.

12.0 LABEL

(1) Product label



1	2	3	4	5	6	7
---	---	---	---	---	---	---

X	X	X	X	X	X	1	0	0	X	X	X	X	X	X	X
---	---	---	---	---	---	---	---	---	---	---	---	---	---	---	---

Type designation

No 1. Control Number

No 2. Rank / Grade

No 3. Line classification (BOE OT:A/BC)

No 4. Year (10 : 2010, 11: 2011, ...)

No 5. Month (1, 2, 3, ..., 9, X, Y, Z)

No 6. Product Identification (FG)

No 7. Serial Number

(3) Box label

Label Size: 110 mm (L) × 56 mm (W)

Contents

Model: **HM150X01-N01**

Q`ty: Module Q`ty in one box

Date: Packing Date

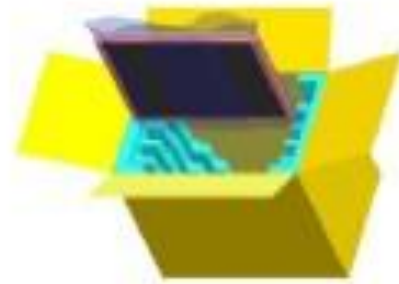
Internal use of Product



13.0 PACKING INFORMATION



Put pads into the box.



As shown in the figure, place the Modules bundled by shielding bag in the box.



After sealing the box, attach Packing Label on the attach position sign area of the box.



Place a cover on the top of the box.



14.0 MECHANICAL OUTLINE DIMENSION

Figure 5. TFT-LCD Module Outline Dimension (Front View)

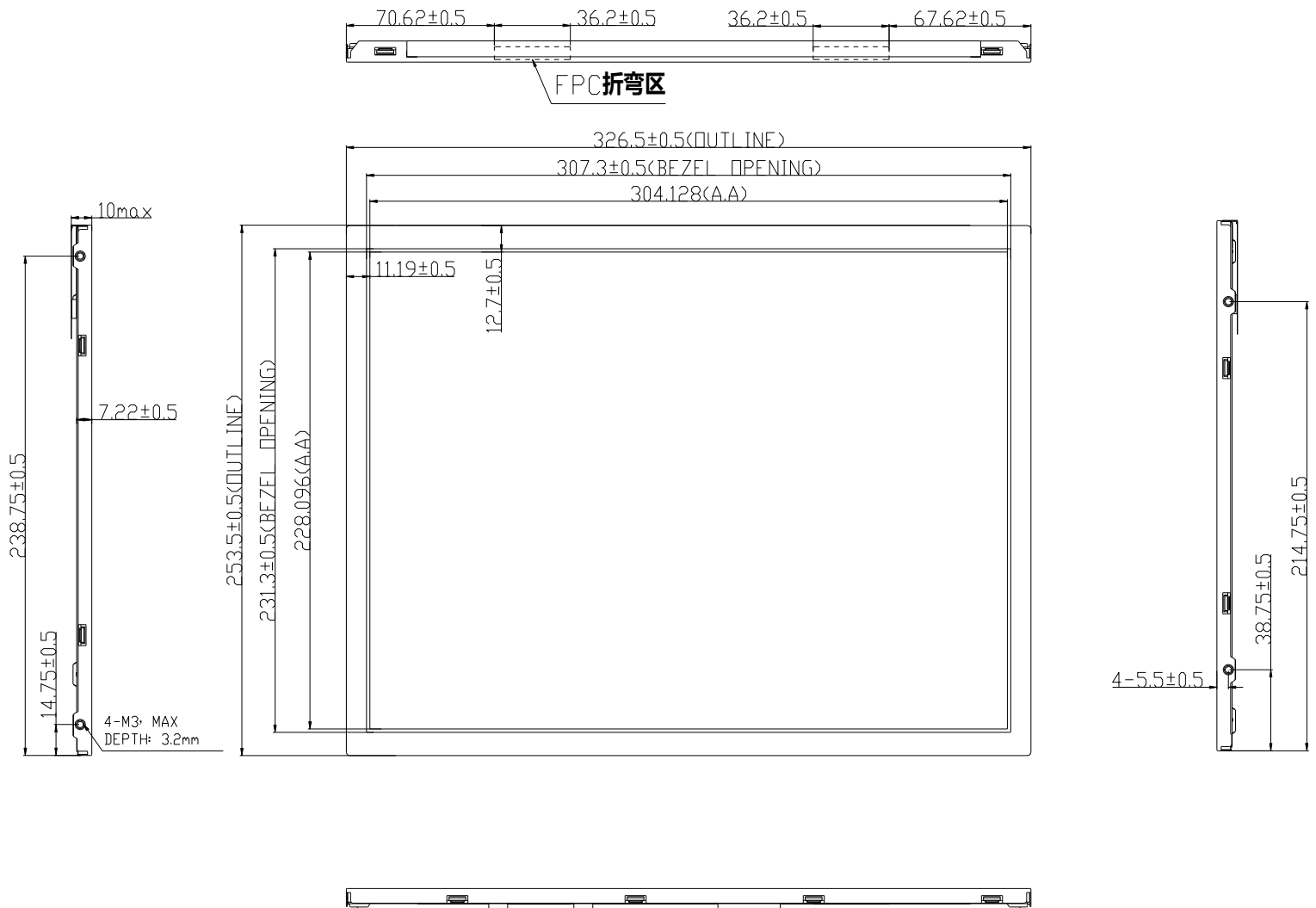
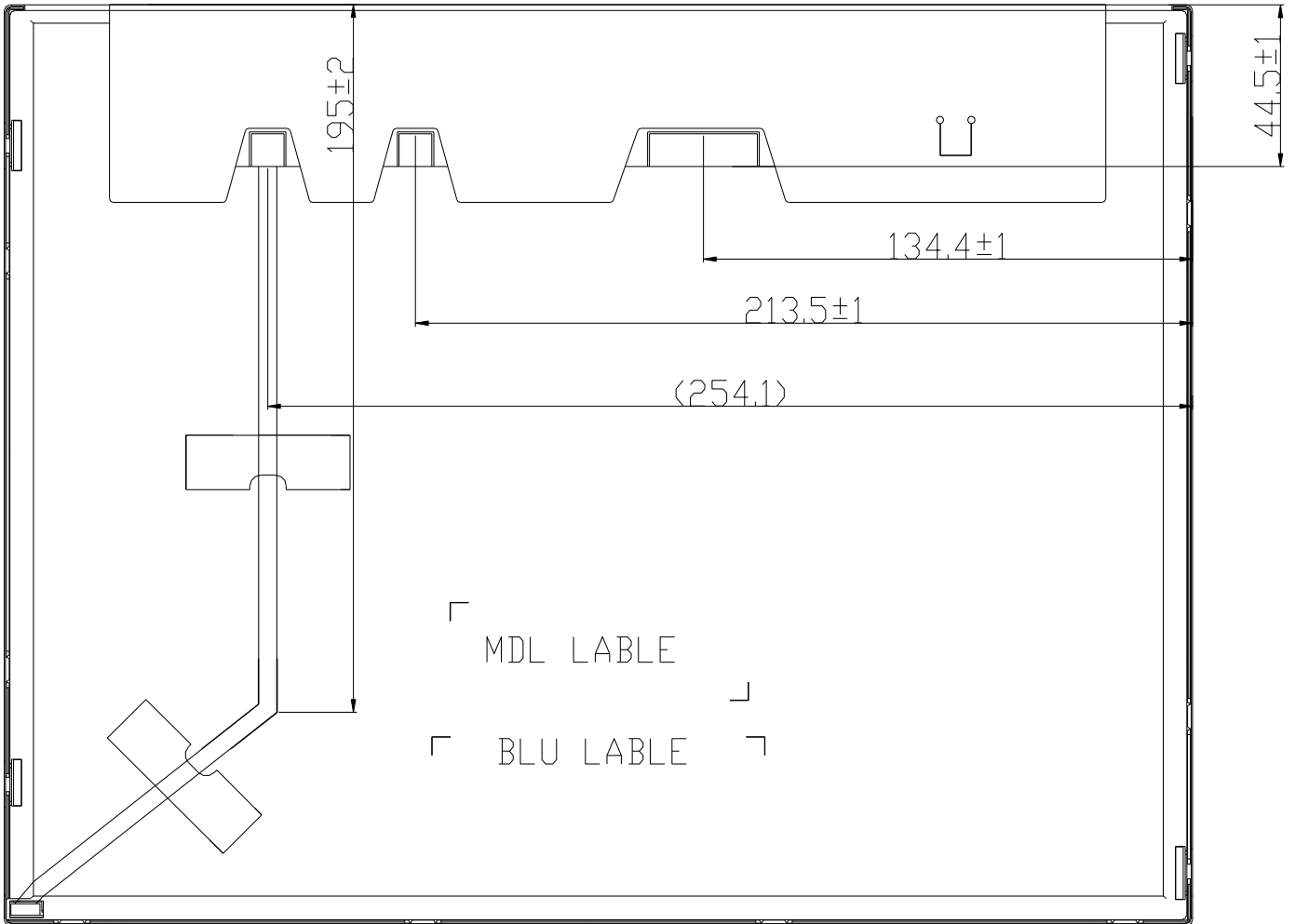
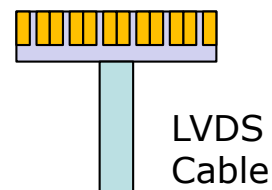
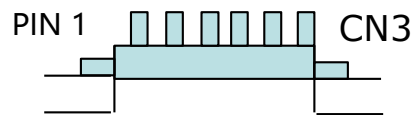
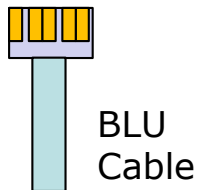
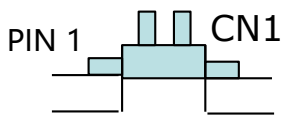


Figure 6. TFT-LCD Module Outline Dimensions (Rear view)



APP.: LVDS & BLU Cable Lead Direction





ALL TECHNOLOGIES. ALL COMPETENCIES. ONE SPECIALIST.



DATA MODUL AG
Landsberger Straße 322
DE-80687 Munich
Phone: +49-89-56017-0

DATA MODUL WEIKERSHEIM GMBH
Lindenstraße 8
DE-97990 Weikersheim
Phone: +49-7934-101-0



More information and worldwide locations can be found at

www.data-modul.com