

TO : CUSTOMER

DATE : 2021.06.24

**GREEN C&C TECH Co.,Ltd
75, Saneop-ro92beon-gil,
Gwonseon-gu,Suwon-si, Gyeonggi-do
KOREA 16643
TEL : 82-31-373-3623~3625
FAX : 82-31-373-3610**

DOCUMENTATION FOR APPROVAL

**PRODUCT : LED BACKLIGHT DRIVER (RoHS)
MODEL NAME : GH797A(A8)
GCCT NAME : GCCT797AH**

APPROVAL	CHECKED	WRITTEN

PLEASE RETURN ONE DOCUMENT AFTER APPROVED SIGN.

GREEN C&C TECH	LED DRIVER SPECIFICATION GH797A(A8)	Publishing Date Reforming Date	2021.06.24
----------------	--	-----------------------------------	------------

NO	Date	REVISION	Page
REVISION HISTORY			

REV.														
Page														
REV.	0	0	0	0	0									
Page	1	2	3	4	5									
											Page Rev.	0	Page	1

GREEN C&C TECH	LED DRIVER SPECIFICATION GH797A(A8)	Publishing Date Reforming Date	2021.06.24
---------------------------	--	-----------------------------------	------------

1. APPLICATION

This Document Specified The Detailed Product Requirement of LED driver
GH797A(A8)

2. SUITABLE LOAD

LCD MODULE : 6 Strings LED BLU TFT LCD

3. ELECTRICAL CHARATERISTICS

3.1. Absolute Maximum Ratings

Item	Symbol	Spec.	Unit	Remarks
Input Voltage 1	Vin	21.6~26.4	V	
Input Voltage 2	ON/OFF	5.25	V	
Operating Temperature	Top	-20~70	℃	
Storage Temperature	Tstg	-30~80	℃	
Relative Humidity	RH	80	%	

3.2. Control Signal

PIN No.	Symbol	Status	Action	Remarks
CN1 #12	ON/OFF	HIGH	LED - ON	2.4 ~ 5.25V
		LOW	LED - OFF	0.8 V Max

GREEN C&C TECH	LED DRIVER SPECIFICATION GH797A(A8)	Publishing Date	2021.06.24
		Reforming Date	

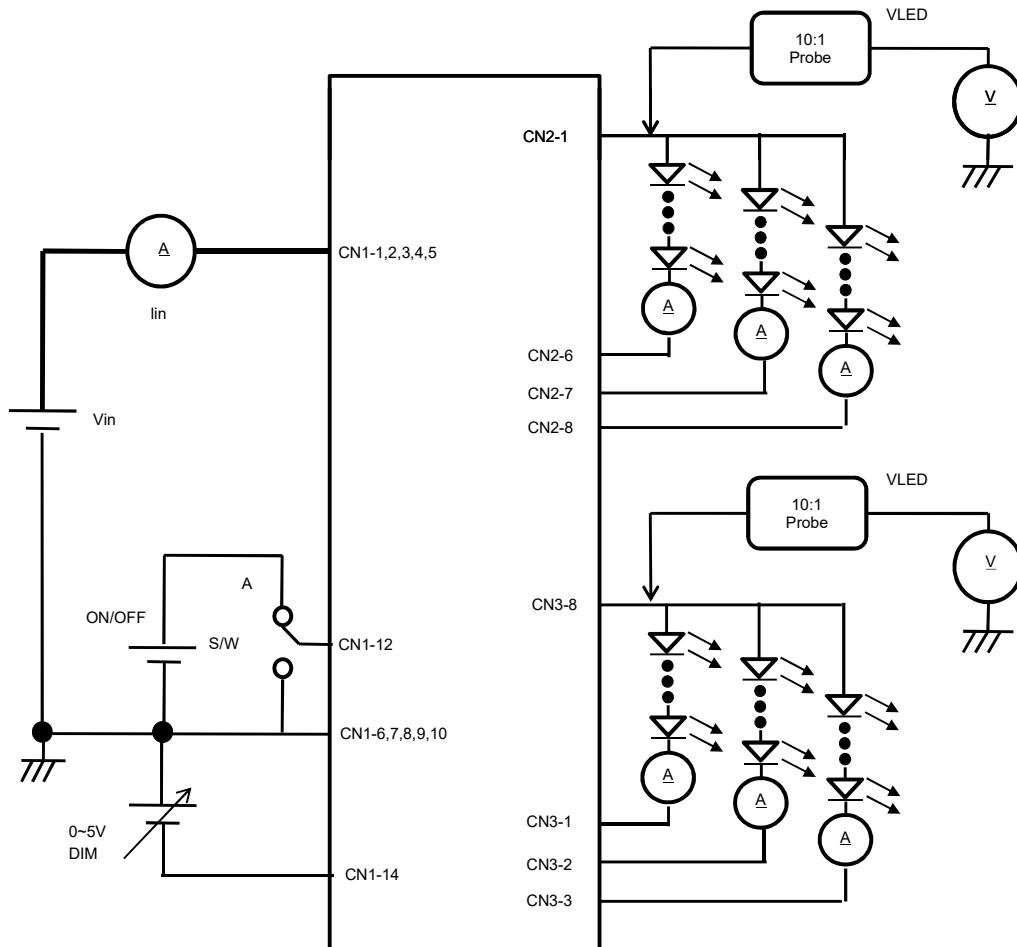
3.3. Output Characteristics

Item	Sym.	Condition	Min.	Typ.	Max.	Unit
Input Voltage	Vin	-	21.6	24.0	26.4	Vdc
Input Current	Iin	Vin=24V, Dim=0V	-	-	4.2	A
Output Current	Iout (Max)	Vin=24V, Dim=0V	80.0	90.0	100.0	mAmean
Backlight ON/OFF Control	ON	-	2.4	-	5.25	Vdc
	OFF	-	-0.3	-	0.8	

* Output Voltage is greater than Input Voltage for at least 3V or more.

3.4. Test Circuit

- S/W : A --> BLU ON
B --> BLU OFF



GREEN C&C TECH	LED DRIVER SPECIFICATION GH797A(A8)	Publishing Date Reforming Date	2021.06.24
----------------	--	-----------------------------------	------------

4. INTERFACE

4.1. CN1 Connector (Input) : 20022WR-14AML (YEONHO) or Equivalent

PIN No.	Symbol	Description
1,2,3,4,5	VIN	Voltage Input : 24V (typ.)
6,7,8,9,10	GND	Ground
11,13	N.C	No Connection
12	ON/OFF	LED DRIVER ON/OFF Control
14	DIM	Analog : 0V(MAX)~5V(MIN)

4.2. CN2 Connector (Output) : IS100-L08B-C46-A (U-JU) or Equivalent

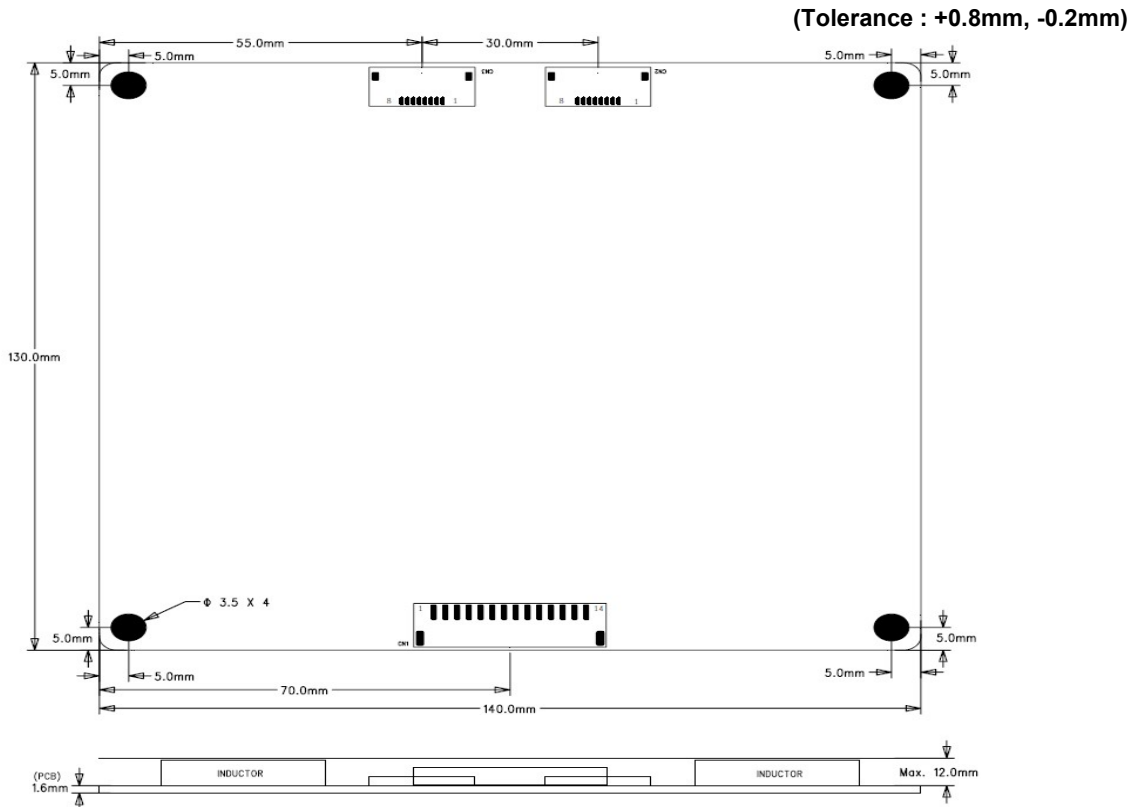
PIN No.	Symbol	Description
1	VLED_L	System Output
2,3,4,5	N.C	No Connection
6	LFB_3	Feedback 3 (Returnt 3)
7	LFB_2	Feedback 2 (Returnt 2)
8	LFB_1	Feedback 1 (Returnt 1)

4.3. CN3 Connector (Output) : IS100-L08B-C46 (U-JU) or Equivalent

PIN No.	Symbol	Description
1	RFB_1	Feedback 1 (Returnt 1)
2	RFB_2	Feedback 2 (Returnt 2)
3	RFB_3	Feedback 3 (Returnt 3)
4,5,6,7	N.C	No Connection
8	VLED_R	System Output

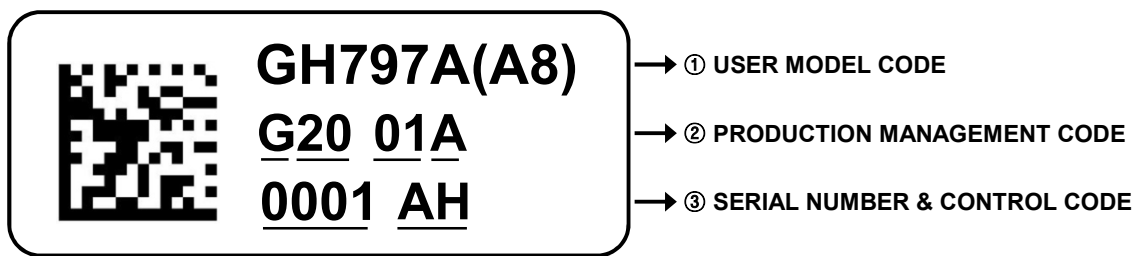
GREEN C&C TECH	LED DRIVER SPECIFICATION GH797A(A8)	Publishing Date Reforming Date	2021.06.24
----------------	--	-----------------------------------	------------

5. APPERANCE (Unit : mm)



6. NOTATION OF LOT NUMBER

MARKING : TOP



①	GH797A(A8)	: USER MODEL CODE
	G	: MANUFACTURER CODE (GREEN C&C TECH)
	20	: YEAR OF PRODUCT 19 → 2019 , 20 → 2020 , ... , 29 → 2029
②	01	: WEEK OF PRODUCT 01,02,03,04,...52
	A	: PUBLICATION NUMBER A,B,C,...,Z,0,1,2,...,9
③	0001	: SERIAL NUMBER 0001,0002.....9998,9999
	AH	: GCCT CONTROL MODEL CODE