

**TO : Customer**

**DATE : 2021.07.02**

**GREEN C&C TECH Co.,Ltd  
75, Saneop-ro92beon-gil,  
Gwonseon-gu,Suwon-si, Gyeonggi-do  
KOREA 16643  
TEL : 82-31-373-3623~3625  
FAX : 82-31-373-3610**

# **DOCUMENTATION FOR APPROVAL**

**PRODUCT : LED BACKLIGHT DRIVER (RoHS)  
MODEL NAME : GH765A(A46)  
GCCT NAME : GCCT765BR**

<b>APPROVAL</b>	<b>CHECKED</b>	<b>WRITTEN</b>

**PLEASE RETURN ONE DOCUMENT AFTER APPROVED SIGN.**

GREEN C&C TECH	<b>LED DRIVER SPECIFICATION</b> <b>GH765A(A46)</b>	Publishing Date	2021.07.02
		Reforming Date	

NO	Date	REVISION	Page

REVISION HISTORY

REV.														
Page														
REV.	0	0	0	0	0									
Page	1	2	3	4	5									
											Page Rev.	0	Page	1

GREEN C&C TECH	<b>LED DRIVER SPECIFICATION</b> <b>GH765A(A46)</b>	Publishing Date Reforming Date	2021.07.02
----------------	---	-----------------------------------	------------

## 1. APPLICATION

This Document Specified The Detailed Product Requirement of LED driver  
GH765A(A46)

## 2. SUITABLE LOAD

LCD MODULE : 2 Strings LED BLU TFT LCD

## 3. ELECTRICAL CHARATERISTICS

### 3.1. Absolute Maximum Ratings

Item	Symbol	Spec.	Unit	Remarks
Input Voltage 1	Vin	10.8~26.4	V	
Input Voltage 2	ON/OFF	5.25	V	
Operating Temperature	Top	-20~70	℃	
Storage Temperature	Tstg	-30~80	℃	
Relative Humidity	RH	80	%	

### 3.2. Control Signal

PIN No.	Symbol	Status	Action	Remarks
CN1 #9	ON/OFF	HIGH	LED - ON	2.4 ~ 5.25V
		LOW	LED - OFF	0.8 V Max

GREEN C&C TECH	<b>LED DRIVER SPECIFICATION</b> <b>GH765A(A46)</b>	Publishing Date	2021.07.02
		Reforming Date	

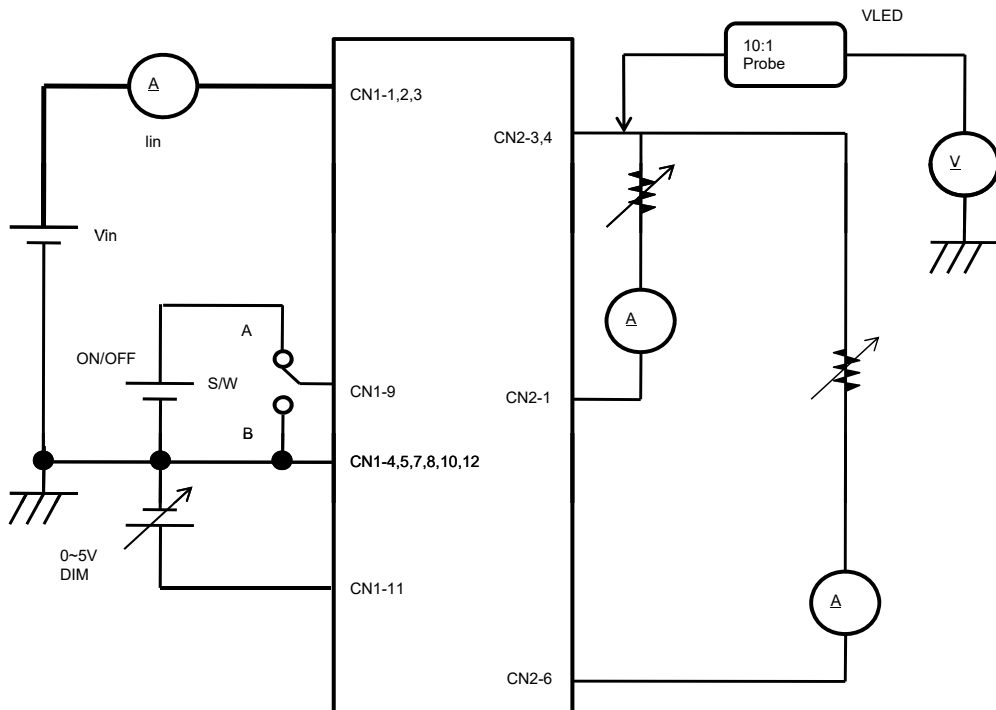
### 3.3. Output Characteristics

Item	Sym.	Condition	Min.	Typ.	Max.	Unit
Input Voltage	Vin	-	10.8	-	26.4	Vdc
Input Current	Iin	Vin=12V, Dim=0V	-	-	1.0	A
Output Current	Iout (Max)	Vin=12V, Dim=0V	65.0	70.0	75.0	mAmean
	Iout (Min)	Vin=12V, Dim=5V	15.0	20.0	25.0	
Backlight ON/OFF Control	ON	-	2.4	-	5.25	Vdc
	OFF	-	-0.3	-	0.8	

\* Output Voltage is greater than Input Voltage for at least 3V or more.

### 3.4. Test Circuit

- S/W : A --> BLU ON
- B --> BLU OFF



GREEN C&C TECH	<b>LED DRIVER SPECIFICATION</b> <b>GH765A(A46)</b>	Publishing Date Reforming Date	2021.07.02
----------------	---	-----------------------------------	------------

#### 4. INTERFACE

##### 4.1. CN1 Connector (Input) : 12505WR-12A (YEONHO) or Equivalent

PIN No.	Symbol	Description
1,2,3	VIN	Voltage Input : 12V, 24V (typ.)
4,5,7,8,10,12	GND	Ground
6	N.C	No Connection
9	ON/OFF	LED DRIVER ON/OFF Control
11	DIM	0V(MAX)~5V(MIN)

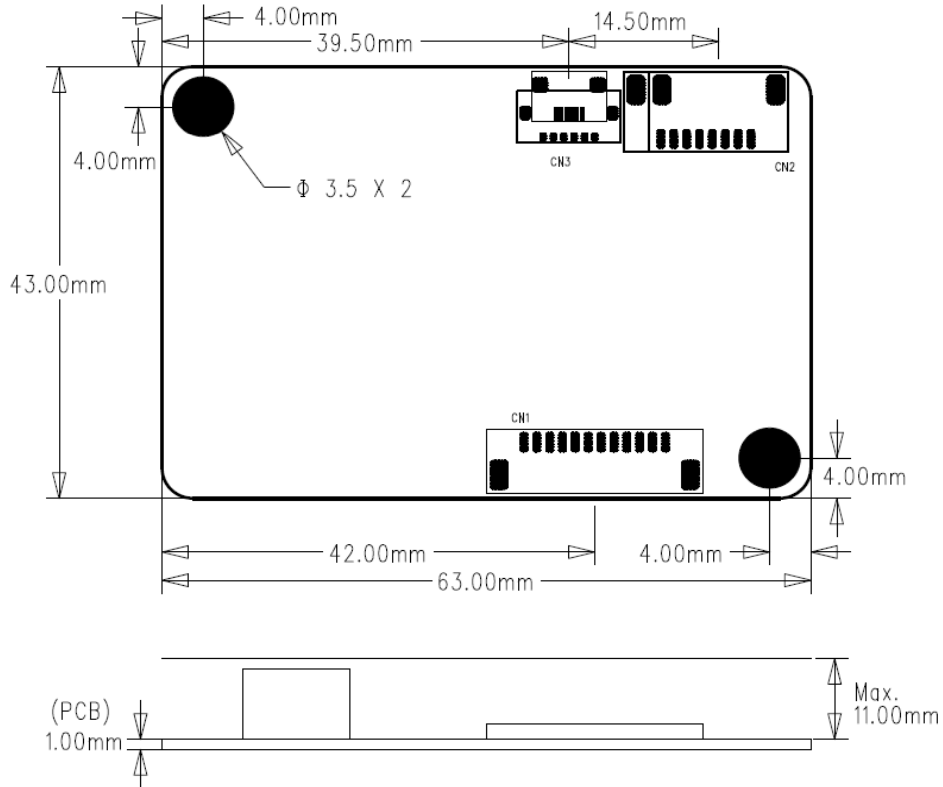
##### 4.2. CN2 Connector (Output) : 12507WR-06L (YEONHO) or Equivalent

PIN No.	Symbol	Description
1	FB1	Feedback 1 (Return 1)
2	FB2	No Connection
3	VLED	System Output
4	VLED	System Output
5	FB3	No Connection
6	FB4	Feedback 2 (Return 2)

GREEN C&C TECH	<b>LED DRIVER SPECIFICATION</b> <b>GH765A(A46)</b>	Publishing Date Reforming Date	2021.07.02
----------------	---	-----------------------------------	------------

### 5. APPERANCE (Unit : mm)

(Tolerance : +0.8mm, -0.2mm)



### 6. NOTATION OF LOT NUMBER

MARKING:BOTTOM

	<b><u>GH765A(A46)</u></b>	→ ① USER MODEL CODE
	<b><u>G 20 01 A</u></b>	→ ② PRODUCTION MANAGEMENT CODE
	<b><u>0001 BR</u></b>	→ ③ SERIAL NUMBER OR CONTROL CODE

①	<b>GH765A(A46)</b>	: USER MODEL CODE
	<b>G</b>	: MANUFACTURER CODE (GREEN C&C TECH)
	<b>20</b>	: YEAR OF PRODUCT 20 → 2020 , 21 → 2021 , ... , 29 → 2029
②	<b>01</b>	: WEEK OF PRODUCT 01,02,03,04,...52
	<b>A</b>	: PUBLICATION NUMBER A,B,C,...,Z,0,1,2,...,9
③	<b>0001</b>	: SERIAL NUMBER 0001,0002.....9998,9999
	<b>BR</b>	: GCCT CONTROL MODEL CODE