

**TO : Customer**

**DATE : 2019.06.17**

**GREEN C&C TECH Co.,Ltd  
75, Saneop-ro92beon-gil,  
Gwonseon-gu,Suwon-si, Gyeonggi-do  
KOREA 16643  
TEL : 82-31-373-3623~3625  
FAX : 82-31-373-3610**

# **DOCUMENTATION FOR APPROVAL**

**PRODUCT : LED BACKLIGHT DRIVER (RoHS)  
MODEL NAME : GH734A(A11)  
GCCT NAME : GCCT734AK**

<b>APPROVAL</b>	<b>CHECKED</b>	<b>WRITTEN</b>

**PLEASE RETURN ONE DOCUMENT AFTER APPROVED SIGN.**

GREEN C&C TECH	<b>LED DRIVER SPECIFICATION</b> <b>GH734A(A11)</b>	Publishing Date Reforming Date	2019.06.17
----------------	---	-----------------------------------	------------

NO	Date	REVISION	Page
REVISION HISTORY			

REV.														
Page														
REV.	0	0	0	0	0									
Page	1	2	3	4	5									
											Page Rev.	0	Page	1

GREEN C&C TECH	LED DRIVER SPECIFICATION GH734A(A11)	Publishing Date	2019.06.17
		Reforming Date	

## 1. APPLICATION

This Document Specified The Detailed Product Requirement of LED driver  
GH734A(A11)

## 2. SUITABLE LOAD

LCD MODULE : 8 Strings LED BLU TFT LCD

## 3. ELECTRICAL CHARATERISTICS

### 3.1. Absolute Maximum Ratings

Item	Symbol	Spec.	Unit	Remarks
Input Voltage 1	Vin	10.8~26.4	V	
Input Voltage 2	ON/OFF	5.25	V	
Operating Temperature	Top	0~60	℃	
Storage Temperature	Tstg	-30~80	℃	
Relative Humidity	RH	80	%	

### 3.2. Control Signal

PIN No.	Symbol	Status	Action	Remarks
CN1 #12	ON/OFF	HIGH	LED - ON	2.4 ~ 5.25V
		LOW	LED - OFF	0.8 V Max

GREEN C&C TECH	LED DRIVER SPECIFICATION GH734A(A11)	Publishing Date	2019.06.17
		Reforming Date	

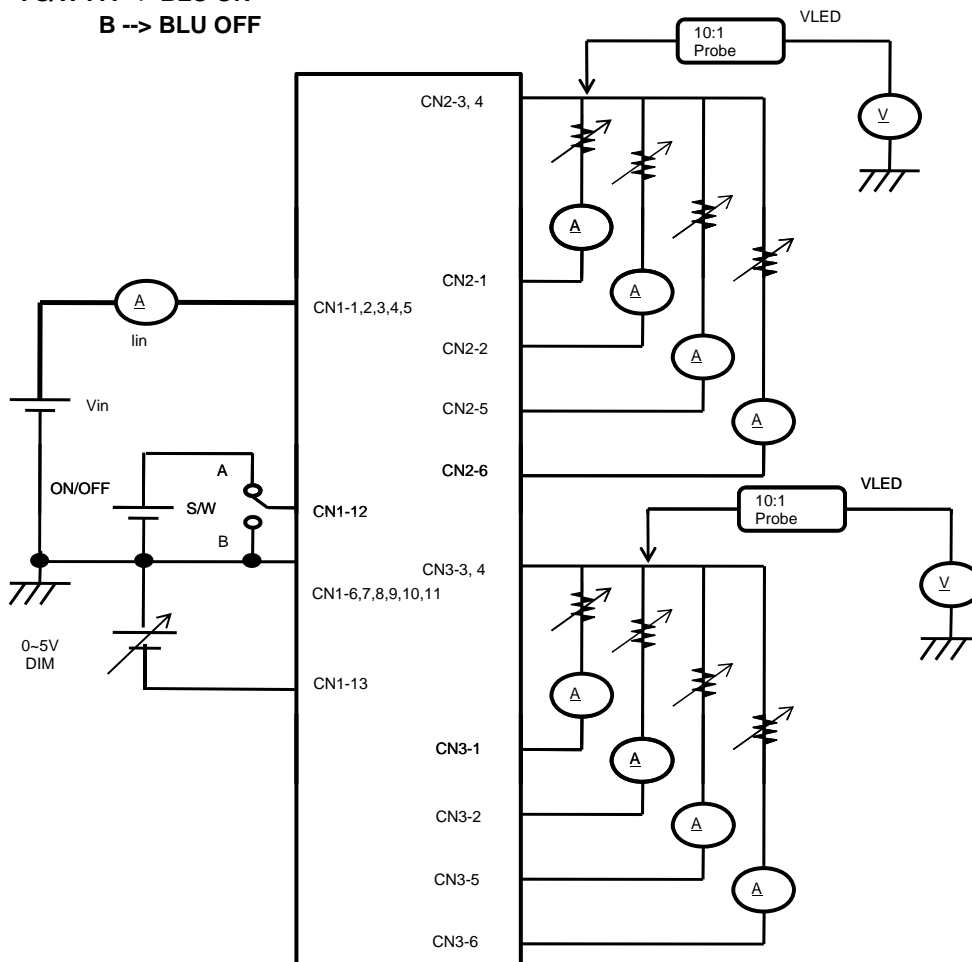
### 3.3. Output Characteristics

Item	Sym.	Condition	Min.	Typ.	Max.	Unit
Input Voltage	Vin	-	10.8	-	26.4	Vdc
Input Current	Iin	Vin=12V, Dim=0V	-	-	3.5	A
Output Current	Iout (Max)	Vin=12V, Dim=0V	90.0	100.0	110.0	mAmean
Backlight ON/OFF Control	ON	-	2.4	-	5.25	Vdc
	OFF	-	-0.3	-	0.8	

\* Output Voltage is greater than Input Voltage for at least 3V or more.

### 3.4. Test Circuit

- S/W : A --> BLU ON  
B --> BLU OFF



GREEN C&C TECH	<b>LED DRIVER SPECIFICATION</b> <b>GH734A(A11)</b>	Publishing Date Reforming Date	2019.06.17
----------------	---	-----------------------------------	------------

#### 4. INTERFACE

##### 4.1. CN1 Connector (Input) : 20022WR-14AML (YEONHO) or Equivalent

PIN No.	Symbol	Description
1,2,3,4,5	VIN	Voltage Input : 12V, 24V (Typ.)
6,7,8,9,10,11	GND	Ground
12	ON/OFF	LED DRIVER ON/OFF Control
13	A-DIM	Analog 0V(MAX) ~ 5V(MIN)
14	P-DIM	No Connection

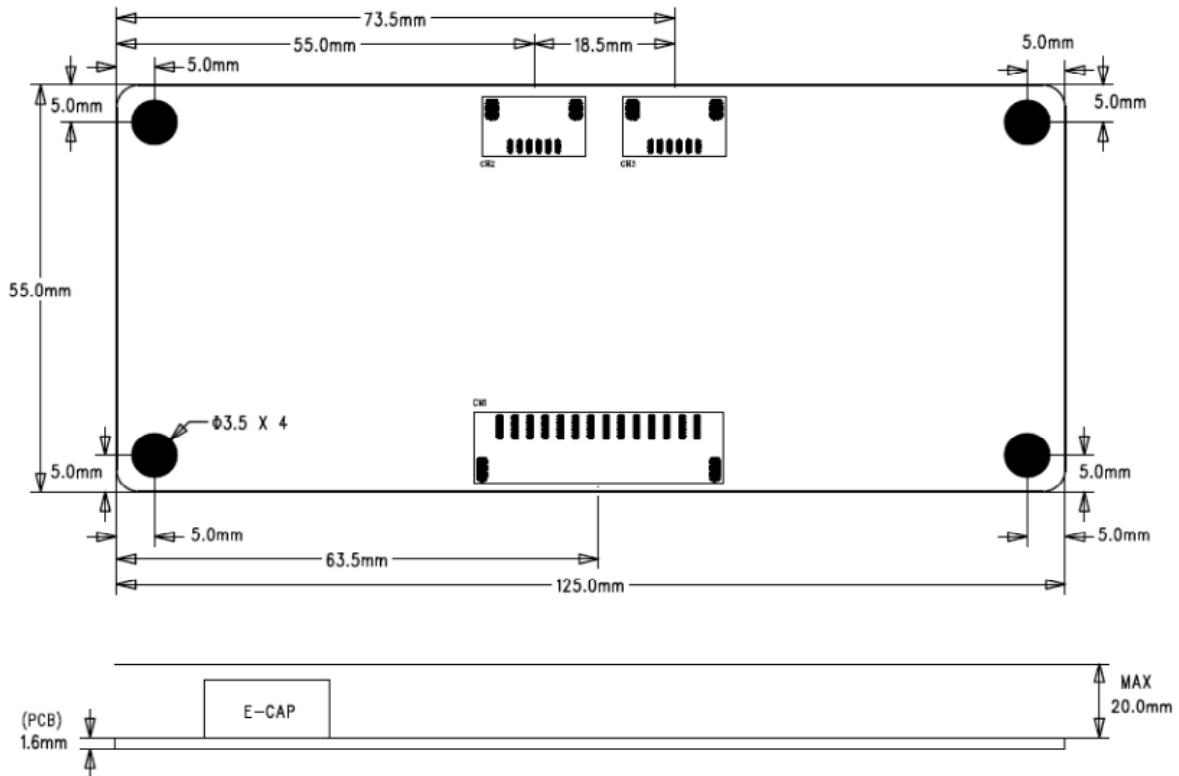
##### 4.2. CN2,CN3 Connector (Output) : 12507WR-06L (YEONHO) or Equivalent

PIN No.	Symbol	Description
1	FB1	Feedback1
2	FB2	Feedback2
3	VLED	LED Output
4	VLED	LED Output
5	FB3	Feedback3
6	FB4	Feedback4

GREEN C&C TECH	<b>LED DRIVER SPECIFICATION</b> <b>GH734A(A11)</b>	Publishing Date Reforming Date	2019.06.17
----------------	---	-----------------------------------	------------

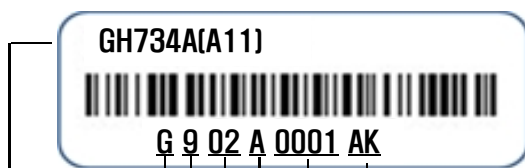
### 5. APPERANCE (Unit : mm)

(Tolerance : +0.8mm, -0.2mm)



### 6. NOTATION OF LOT NUMBER

MARKING : BOTTOM



GH734A(A11)	: USER MODEL CODE
G	: MANUFACTURER CODE (GREEN C&C TECH.)
9	: YEAR OF PRODUCT 6 → 2016 , 7 → 2017 , ... , 1 → 2021
02	: WEEK OF PRODUCT 01,02,03,04,...52
A	: PUBLICATION NUMBER A,B,C,...,Z,0,1,2,...,9
0001	: SERIAL NUMBER 0001,0002.....9998,9999
AK	: GCCT MODEL CODE ( GCCT734AK )