

TO : Customer

DATE : 2018.11.22

**GREEN C&C TECH Co.,Ltd
65,JINWISANDAN-RO , JINWI-MYEON
PYEONGTAEK-CITY, KYEONGGI-DO
KOREA 451-861
TEL : 82-31-373-3623~3625
FAX : 82-31-373-3610**

DOCUMENTATION FOR APPROVAL

**PRODUCT : LED BACKLIGHT DRIVER (RoHS)
MODEL NAME : GH805A(A1)
GCCT NAME : GCCT805AA**

APPROVAL	CHECKED	WRITTEN

PLEASE RETURN ONE DOCUMENT AFTER APPROVED SIGN.

GREEN C&C TECH	LED DRIVER SPECIFICATION GH805A(A1)	Publishing Date Reforming Date	2018.11.22
----------------	--	-----------------------------------	------------

NO	Date	REVISION	Page
REVISION HISTORY			

REV.														
Page														
REV.	0	0	0	0	0									
Page	1	2	3	4	5									

GREEN C&C TECH	LED DRIVER SPECIFICATION GH805A(A1)	Publishing Date Reforming Date	2018.11.22
----------------	--	-----------------------------------	------------

1. APPLICATION

This Document Specified The Detailed Product Requirement of LED driver
GH805A(A1)

2. SUITABLE LOAD

LCD MODULE : 4 Strings LED BLU TFT LCD

3. ELECTRICAL CHARATERISTICS

3.1. Absolute Maximum Ratings

Item	Symbol	Spec.	Unit	Remarks
Input Voltage 1	Vin	10.8~26.4	V	
Input Voltage 2	ON/OFF	5.25	V	
Operating Temperature	Top	-20~70	℃	
Storage Temperature	Tstg	-30~80	℃	
Relative Humidity	RH	80	%	

3.2. Control Signal

PIN No.	Symbol	Status	Action	Remarks
CN1 #9	ON/OFF	HIGH	LED - ON	2.4 ~ 5.25V
		LOW	LED - OFF	0.8 V Max

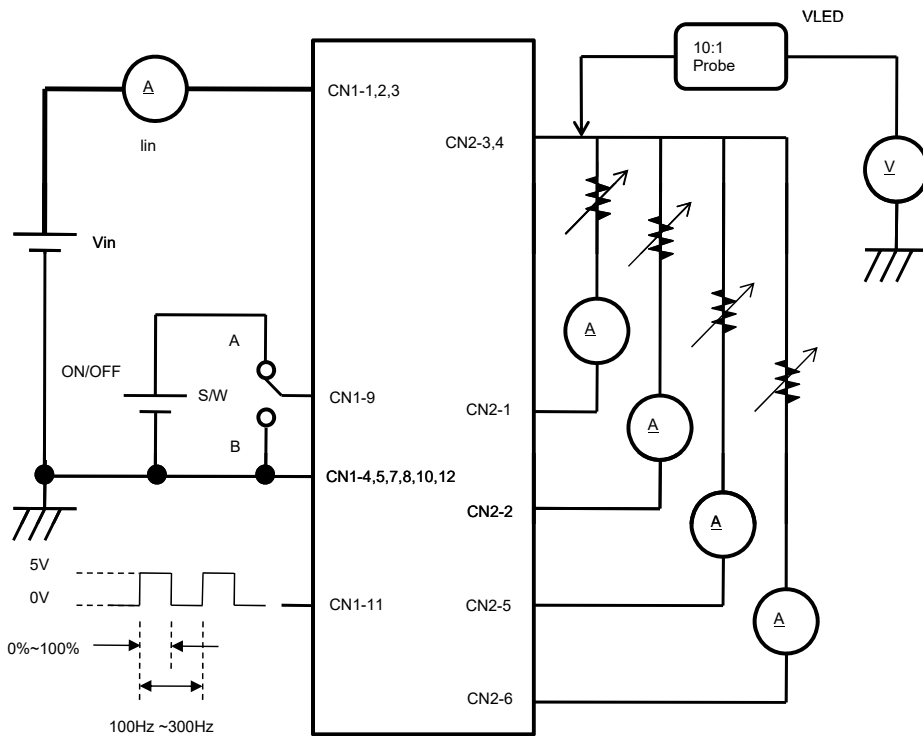
GREEN C&C TECH	LED DRIVER SPECIFICATION GH805A(A1)	Publishing Date	2018.11.22
		Reforming Date	

3.3. Output Characteristics

Item	Sym.	Condition	Min.	Typ.	Max.	Unit
Input Voltage	Vin	-	10.8	12.0	26.4	Vdc
Input Current	Iin	Vin=12V, Dim=0%	-	-	0.8	A
Output Current	Iout (Max)	Vin=12V, Dim=0%	60.0	65.0	70.0	mAmean
	Iout (Min)	Vin=12V, Dim=100%	15.0	20.0	25.0	
PWM Signal	Vpwm	High(ON)	2.4	-	5.00	V
	Vpwm	Low(OFF)	-0.3	-	0.8	
	Fpwm	-	100	-	300	Hz
	DUTY	Active High Level	100 (Min)	-	0 (Max)	%

3.4. Test Circuit

- S/W : A --> BLU ON
- B --> BLU OFF



GREEN C&C TECH	LED DRIVER SPECIFICATION GH805A(A1)	Publishing Date Reforming Date	2018.11.22
----------------	--	-----------------------------------	------------

4. INTERFACE

4.1. CN1 Connector (Input) : 12505WR-12A (YEONHO) or Equivalent

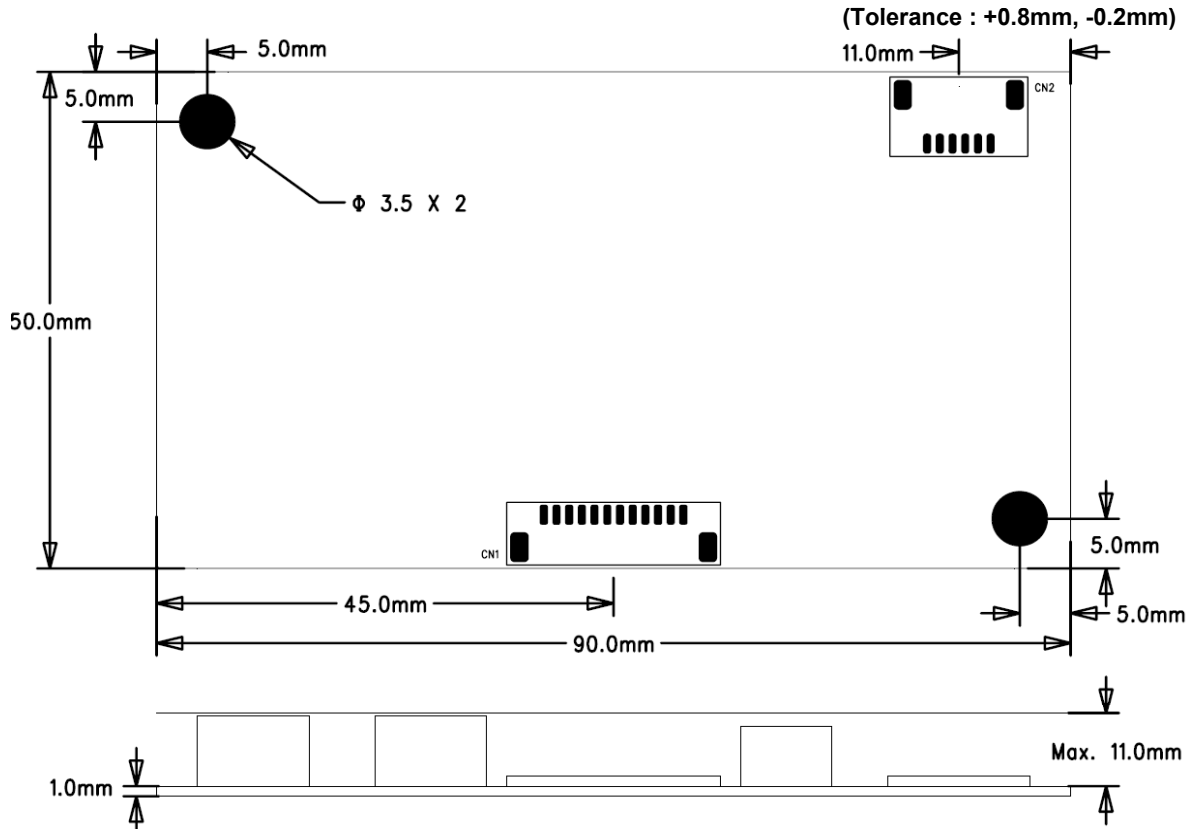
PIN No.	Symbol	Description
1,2,3	VIN	Voltage Input : 12V, 24V (typ.)
4,5,7,8,10,12	GND	Ground
6	N.C	No Connection
9	ON/OFF	LED DRIVER ON/OFF Control
11	DIM	0 ~ 100% (100Hz~300Hz PWM Freq.)

4.2. CN2 Connector (Output) : 12507WR-06L (YEONHO) or Equivalent

PIN No.	Symbol	Description
1	FB1	Feedback 1 (Return 1)
2	FB2	Feedback 2 (Return 2)
3	VLED	System Output
4	VLED	System Output
5	FB3	Feedback 3 (Return 3)
6	FB4	Feedback 4 (Return 4)

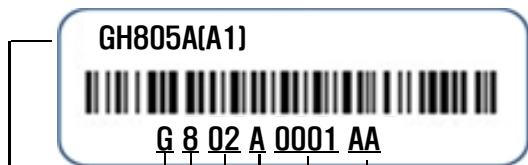
GREEN C&C TECH	LED DRIVER SPECIFICATION GH805A(A1)	Publishing Date Reforming Date	2018.11.22
----------------	--	-----------------------------------	------------

5. APPERANCE (Unit : mm)



6. NOTATION OF LOT NUMBER

MARKING:TOP



GH805A(A1)	: USER MODEL CODE
G	: MANUFACTURER CODE (GREEN C&C TECH.)
8	: YEAR OF PRODUCT 8 → 2018 , 9 → 2019 , ... , 5 → 2025
02	: WEEK OF PRODUCT 01,02,03,04,...52
A	: PUBLICATION NUMBER A,B,C,...,Z,0,1,2,...,9
0001	: SERIAL NUMBER 0001,0002.....9998,9999
AA	: GCCT MODEL CODE (GCCT805AA)