



# SPECIFICATION

---



## **GH519A(A41)**

### LED-Converter – Analog-Dimming

Version:

Date: 11.08.2021

Note: This specification is subject to change without prior notice

**TO : Customer**

**DATE : 2021.08.11**

**GREEN C&C TECH Co.,Ltd  
75,SANEOP-RO 92BEON-GIL, GWONSEON-GU,  
SUWON-CITY, KYEONGGI-DO  
KOREA 16643  
TEL : 82-31-373-3623~3625  
FAX : 82-31-373-3610**

# **DOCUMENTATION FOR APPROVAL**

**PRODUCT : LED BACKLIGHT DRIVER (ROHS)  
MODEL NAME : GH519A(A41)  
GCCT NAME : GCCT519BP**

<b>APPROVAL</b>	<b>CHECKED</b>	<b>WRITTEN</b>

**PLEASE RETURN ONE DOCUMENT AFTER APPROVED SIGN.**

GREEN C&C TECH	<b>LED DRIVER SPECIFICATION</b> <b>GH519A(A41)</b>	Publishing Date Reforming Date	2021.08.11
----------------	---	-----------------------------------	------------

NO	Date	REVISION	Page

REVISION HISTORY

<b>REV.</b>														
<b>Page</b>														
<b>REV.</b>	0	0	0	0	0									
<b>Page</b>	1	2	3	4	5									

<b>GREEN C&amp;C TECH</b>	<b>LED DRIVER SPECIFICATION</b> <b>GH519A(A41)</b>	Publishing Date Reforming Date	2021.08.11
---------------------------	---	-----------------------------------	------------

## 1. APPLICATION

This Document Specified The Detailed Product Requirement of LED driver  
GH519A(A41)

## 2. SUITABLE LOAD

LCD MODULE : 4 Strings LED BLU TFT LCD

## 3. ELECTRICAL CHARATERISTICS

### 3.1. Absolute Maximum Ratings

Item	Symbol	Spec.	Unit	Remarks
Input Voltage 1	Vin1	10.8~26.4	V	
Input Voltage 2	ON/OFF	5.25	V	
Operating Temperature	Top	-20~70	℃	
Storage Temperature	Tstg	-30~80	℃	
Relative Humidity	RH	80	%	

### 3.2. Control Signal

PIN No.	Symbol	Status	Action	Remarks
CN1 #9	ON/OFF	HIGH	LED - ON	2.4 ~ 5.25V
		LOW	LED - OFF	0.8 V Max

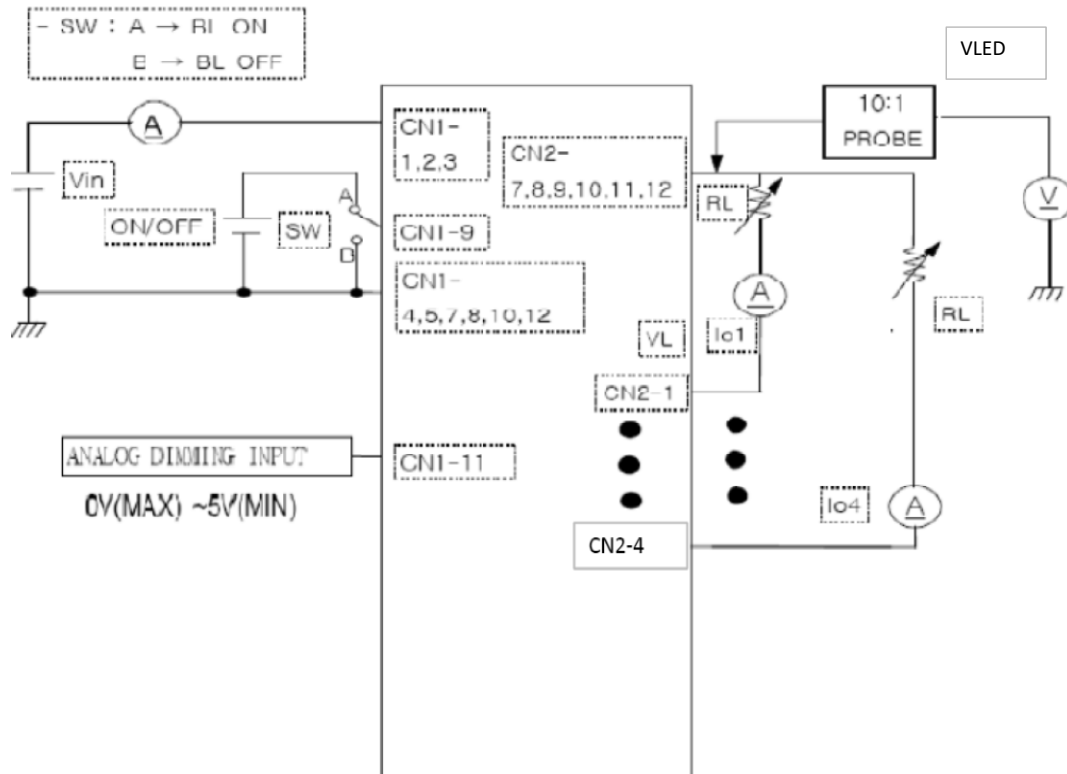
GREEN C&C TECH	<b>LED DRIVER SPECIFICATION</b> <b>GH519A(A41)</b>	Publishing Date	2021.08.11
		Reforming Date	

### 3.3. Output Characteristics

Item	Sym.	Condition	Min.	Typ.	Max.	Unit
Input Voltage	Vin	-	10.8	-	26.4	Vdc
Input Current	Iin	Vin=12V or 24V, Dim=0V	-	-	2.0	A
Output Current	Iout (Max)	Vin=12V or 24V, Dim=0V	35.0	45.0	55.0	mAmean
Backlight ON/OFF Control	ON	-	2.4	-	5.25	Vdc
	OFF	-	-0.3	-	0.8	

\* Output Voltage is greater than Input Voltage for at least 3V or more.

### 3.4. Test Circuit



GREEN C&C TECH	<b>LED DRIVER SPECIFICATION</b> <b>GH519A(A41)</b>	Publishing Date Reforming Date	2021.08.11
----------------	---	-----------------------------------	------------

#### 4. INTERFACE

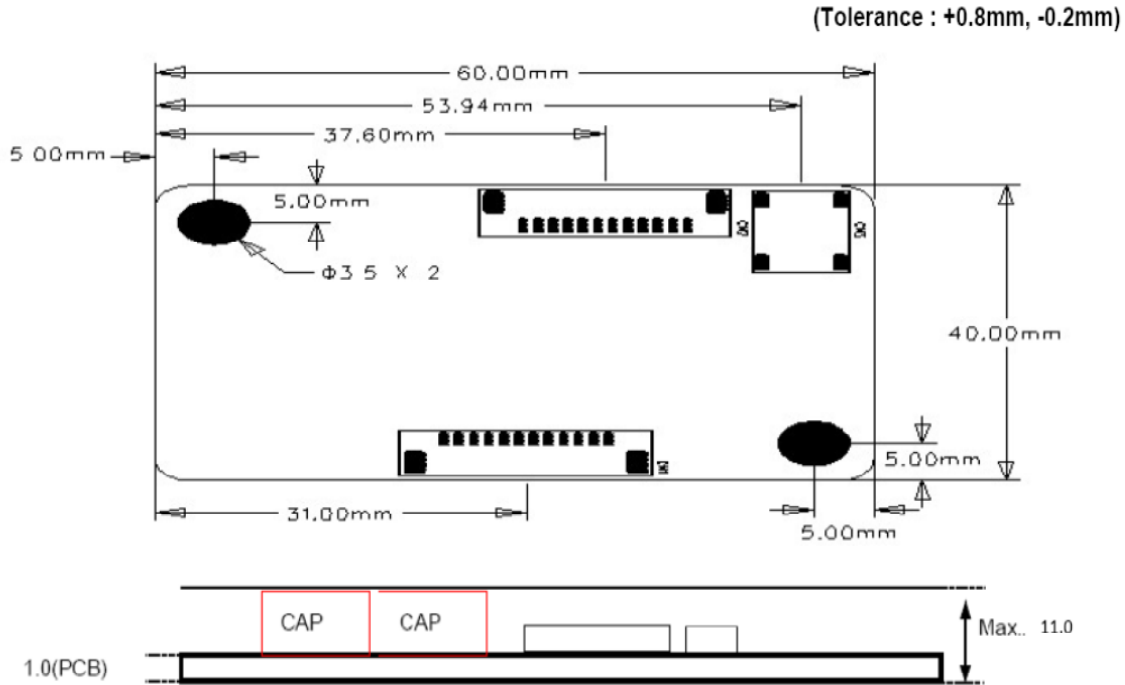
##### 4.1. CN1 Connector (Input) : 12505WR-12A (YEONHO) or Equivalent

PIN No.	Symbol	Description
1,2,3	VIN	Voltage Input : 12V or 24V (typ)
4,5,7,8,10,12	GND	Ground
6	N.C	No Connection
9	ON/OFF	LED DRIVER ON/OFF Control
11	DIM	0V(MAX)~5V(MIN)

##### 4.2. CN2 Connector (Output) : 12505WR-12A (YEONHO) or Equivalent

PIN No.	Symbol	Description
1	FB1	Feedback 1 (Return 1)
2	FB2	Feedback 2 (Return 2)
3	FB3	Feedback 3 (Return 3)
4	FB4	Feedback 4 (Return 4)
5	FB5	No Connection
6	FB6	No Connection
7,8,9,10,11,12	VLED	System Output

### 5. APPERANCE (Unit : mm)



### 6. NOTATION OF LOT NUMBER

MARKING:BOTTOM

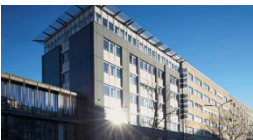
	<b>GH519A(A41)</b>	→ ① USER MODEL CODE
	<b>G 20 01 A</b>	→ ② PRODUCTION MANAGEMENT CODE
	<b>0001 BP</b>	→ ③ SERIAL NUMBER OR CONTROL CODE

①	<b>GH519A(A41)</b>	: USER MODEL CODE
	<b>G</b>	: MANUFACTURER CODE (GREEN C&C TECH)
	<b>20</b>	: YEAR OF PRODUCT 20 → 2020 , 21 → 2021 , ... , 29 → 2029
②	<b>01</b>	: WEEK OF PRODUCT 01,02,03,04,...52
	<b>A</b>	: PUBLICATION NUMBER A,B,C,...,Z,0,1,2,...,9
③	<b>0001</b>	: SERIAL NUMBER 0001,0002.....9998,9999
	<b>BP</b>	: GCCT CONTROL MODEL CODE

# DATA MODUL



ALL TECHNOLOGIES. ALL COMPETENCIES. ONE SPECIALIST.



**DATA MODUL AG**  
Landsberger Straße 322  
DE-80687 Munich  
Phone: +49 89 56017 0

**DATA MODUL WEIKERSHEIM GMBH**  
Lindenstraße 8  
DE-97990 Weikersheim  
Phone: +49 7934 101 0

