

TO : Customer

DATE : 2019.12.13

**GREEN C&C TECH Co.,Ltd
75,SANEOP-RO 92BEON-GIL, GWONSEON-GU,
SUWON-CITY, KYEONGGI-DO
KOREA 16643
TEL : 82-31-373-3623~3625
FAX : 82-31-373-3610**

DOCUMENTATION FOR APPROVAL

**PRODUCT : LED BACKLIGHT DRIVER (RoHS)
MODEL NAME : GH765A(A39)
GCCT NAME : GCCT765BM**

| APPROVAL | CHECKED | WRITTEN |
|-----------------|----------------|----------------|
| | | |

PLEASE RETURN ONE DOCUMENT AFTER APPROVED SIGN.

| | | | |
|----------------|---|-----------------|------------|
| GREEN C&C TECH | LED DRIVER SPECIFICATION GH765A(A39) | Publishing Date | 2019.12.13 |
| | | Reforming Date | |

| NO | Date | REVISION | Page |
|------------------|------|----------|------|
| | | | |
| REVISION HISTORY | | | |

| | | | | | | | | | | | | | | |
|------|---|---|---|---|---|--|--|--|--|--|-----------|---|------|---|
| REV. | | | | | | | | | | | | | | |
| Page | | | | | | | | | | | | | | |
| REV. | 0 | 0 | 0 | 0 | 0 | | | | | | | | | |
| Page | 1 | 2 | 3 | 4 | 5 | | | | | | | | | |
| | | | | | | | | | | | Page Rev. | 0 | Page | 1 |

| | | | |
|----------------|---|-----------------------------------|------------|
| GREEN C&C TECH | LED DRIVER SPECIFICATION GH765A(A39) | Publishing Date Reforming Date | 2019.12.13 |
|----------------|---|-----------------------------------|------------|

1. APPLICATION

This Document Specified The Detailed Product Requirement of LED driver
GH765A(A39)

2. SUITABLE LOAD

LCD MODULE : 3 Strings LED BLU TFT LCD

3. ELECTRICAL CHARATERISTICS

3.1. Absolute Maximum Ratings

| Item | Symbol | Spec. | Unit | Remarks |
|-----------------------|--------|-----------|------|---------|
| Input Voltage 1 | Vin | 10.8~26.4 | V | |
| Input Voltage 2 | ON/OFF | 5.25 | V | |
| Operating Temperature | Top | -20~70 | ℃ | |
| Storage Temperature | Tstg | -30~80 | ℃ | |
| Relative Humidity | RH | 80 | % | |

3.2. Control Signal

| PIN No. | Symbol | Status | Action | Remarks |
|---------|--------|--------|-----------|-------------|
| CN1 #9 | ON/OFF | HIGH | LED - ON | 2.4 ~ 5.25V |
| | | LOW | LED - OFF | 0.8 V Max |

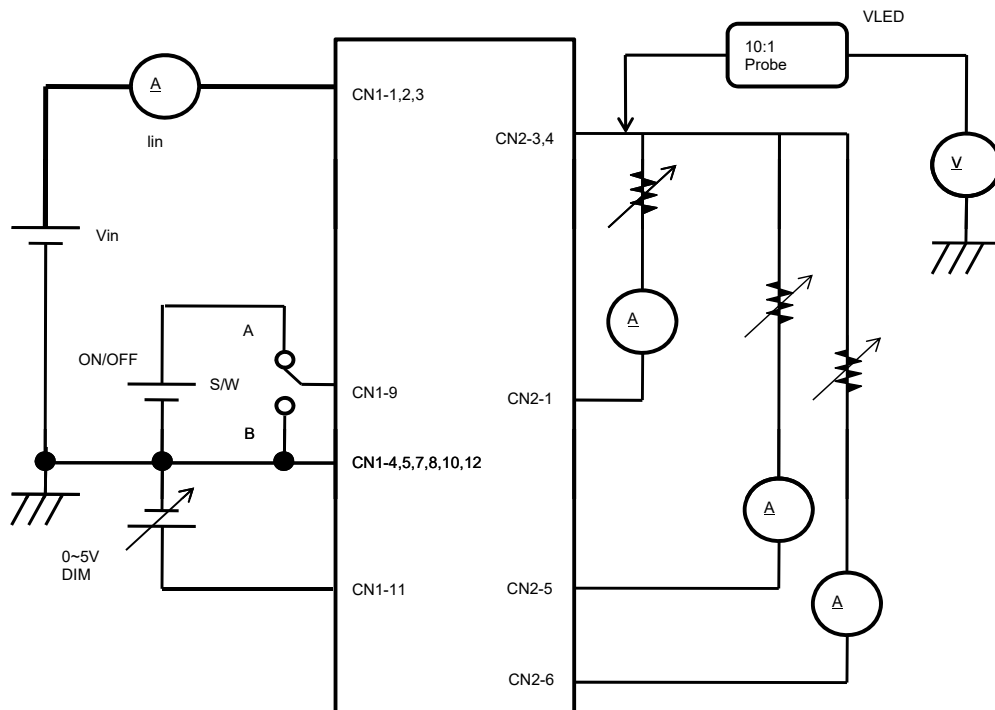
3.3. Output Characteristics

| Item | Sym. | Condition | Min. | Typ. | Max. | Unit |
|--------------------------|------------|-----------------|------|------|------|--------|
| Input Voltage | Vin | - | 10.8 | 12.0 | 26.4 | Vdc |
| Input Current | Iin | Vin=12V, Dim=0V | - | - | 1.3 | A |
| Output Current | Iout (Max) | Vin=12V, Dim=0V | 60.0 | 65.0 | 70.0 | mAmean |
| | Iout (Min) | Vin=12V, Dim=5V | 15.0 | 20.0 | 25.0 | |
| Backlight ON/OFF Control | ON | - | 2.4 | - | 5.25 | Vdc |
| | OFF | - | -0.3 | - | 0.8 | |

* Output Voltage is greater than Input Voltage for at least 3V or more.

3.4. Test Circuit

- S/W : A --> BLU ON
B --> BLU OFF



| | | | |
|----------------|---|-----------------------------------|------------|
| GREEN C&C TECH | LED DRIVER SPECIFICATION GH765A(A39) | Publishing Date Reforming Date | 2019.12.13 |
|----------------|---|-----------------------------------|------------|

4. INTERFACE

4.1. CN1 Connector (Input) : 12505WR-12A (YEONHO) or Equivalent

| PIN No. | Symbol | Description |
|---------------|--------|---------------------------------|
| 1,2,3 | VIN | Voltage Input : 12V, 24V (typ.) |
| 4,5,7,8,10,12 | GND | Ground |
| 6 | N.C | No Connection |
| 9 | ON/OFF | LED DRIVER ON/OFF Control |
| 11 | DIM | 0V(MAX)~5V(MIN) |

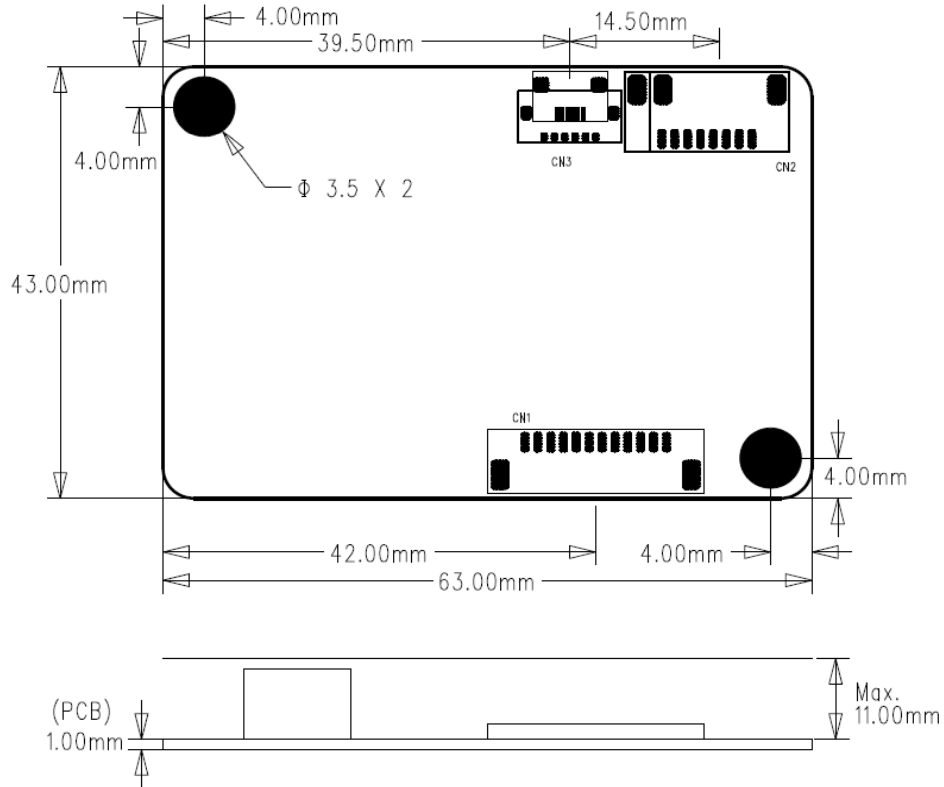
4.2. CN2 Connector (Output) : 12507WR-06L (YEONHO) or Equivalent

| PIN No. | Symbol | Description |
|---------|--------|-----------------------|
| 1 | FB1 | Feedback 1 (Return 1) |
| 2 | FB2 | No Connection |
| 3 | VLED | System Output |
| 4 | VLED | System Output |
| 5 | FB3 | Feedback 2 (Return 2) |
| 6 | FB4 | Feedback 3 (Return 3) |

| | | | |
|---------------------------|---|-----------------------------------|------------|
| GREEN C&C TECH | LED DRIVER SPECIFICATION GH765A(A39) | Publishing Date Reforming Date | 2019.12.13 |
|---------------------------|---|-----------------------------------|------------|

5. APPERANCE (Unit : mm)

(Tolerance : +0.8mm, -0.2mm)



6. NOTATION OF LOT NUMBER

MARKING:BOTTOM



| | |
|--------------------|---|
| GH765A(A39) | : USER MODEL CODE |
| G | : MANUFACTURER CODE (GREEN C&C TECH.) |
| 9 | : YEAR OF PRODUCT 9 → 2019 , 0 → 2020 , ... , 5 → 2025 |
| 02 | : WEEK OF PRODUCT 01,02,03,04,...52 |
| A | : PUBLICATION NUMBER A,B,C,...,Z,0,1,2,...,9 |
| 0001 | : SERIAL NUMBER 0001,0002.....9998,9999 |
| BM | : GCCT MODEL CODE (GCCT765BM) |