

**TO : Customer**

**DATE : 2023.08.30**

**GREEN C&C TECH Co.,Ltd**

**Gwonseon-gu, Suwon-si, Gyeonggi-do**

**KOREA 16643**

**TEL : 82-31-373-3623~3625**

**FAX : 82-31-373-3610**

# **DOCUMENTATION FOR APPROVAL**

**PRODUCT : LED BACKLIGHT DRIVER (RoHS)**

**MODEL NAME : GH734A(A22)**

**GCCT NAME : GCCT734AV**

<b>APPROVAL</b>	<b>CHECKED</b>	<b>WRITTEN</b>

**PLEASE RETURN ONE DOCUMENT AFTER APPROVED SIGN.**

GREEN C&C TECH	<b>LED DRIVER SPECIFICATION</b> <b>GH734A(A22)</b>	Publishing Date	2023.08.30
		Reforming Date	

NO	Date	REVISION	Page

REVISION HISTORY

REV.														
Page														
REV.	0	0	0	0	0									
Page	1	2	3	4	5									

<b>GREEN C&amp;C TECH</b>	<b>LED DRIVER SPECIFICATION</b> <b>GH734A(A22)</b>	Publishing Date	2023.08.30
		Reforming Date	

## 1. APPLICATION

This Document Specified The Detailed Product Requirement of LED driver  
GH734A(A22)

## 2. SUITABLE LOAD

LCD MODULE : 8 Strings LED BLU TFT LCD

## 3. ELECTRICAL CHARATERISTICS

### 3.1. Absolute Maximum Ratings

Item	Symbol	Spec.	Unit	Remarks
Input Voltage 1	Vin	10.8~26.4	V	
Input Voltage 2	ON/OFF	5.25	V	
Operating Temperature	Top	-20~70	℃	
Storage Temperature	Tstg	-30~80	℃	
Relative Humidity	RH	80	%	

### 3.2. Control Signal

PIN No.	Symbol	Status	Action	Remarks
CN1 #12	ON/OFF	HIGH	LED - ON	2.4 ~ 5.0V
		LOW	LED - OFF	0.8 V Max

GREEN C&C TECH	LED DRIVER SPECIFICATION GH734A(A22)	Publishing Date	2023.08.30
		Reforming Date	

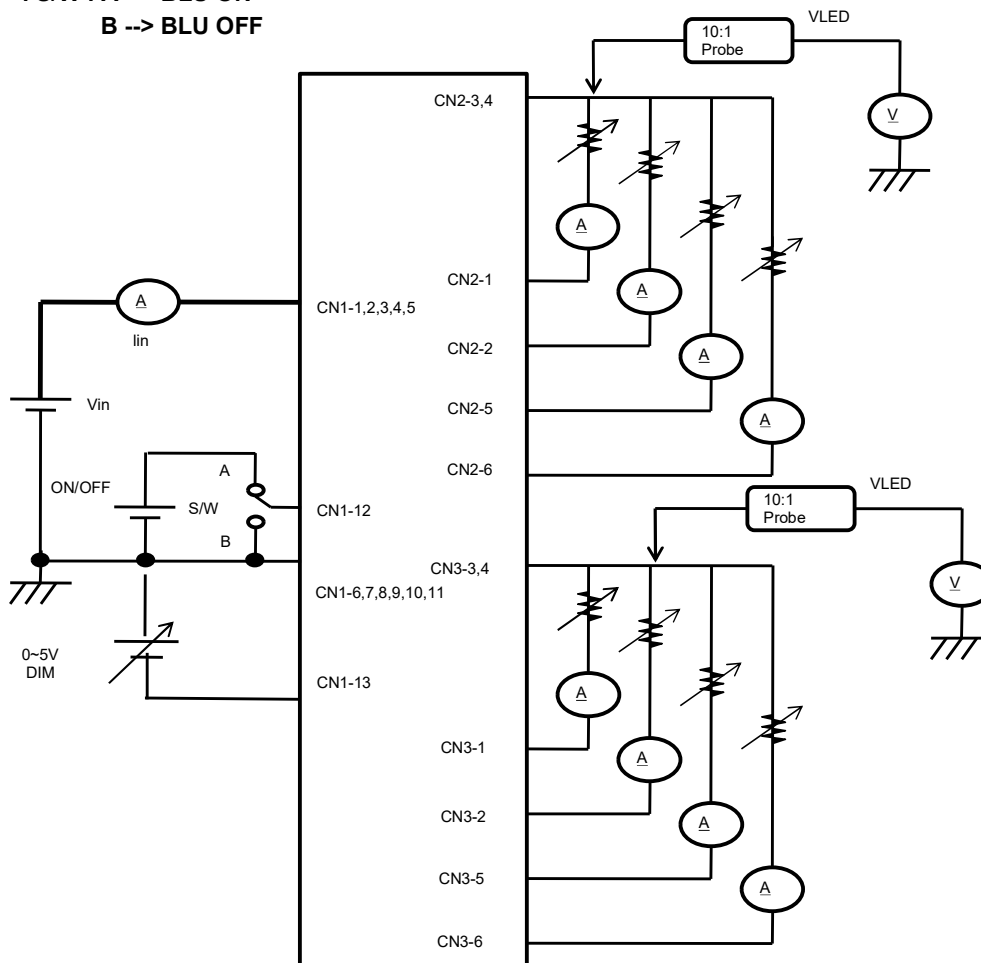
### 3.3. Output Characteristics

Item	Sym.	Condition	Min.	Typ.	Max.	Unit
Input Voltage	Vin	-	10.8	-	26.4	Vdc
Input Current	Iin	Vin=12V, Vin=24V, Dim=0V	-	-	1.3	A
Output Current	Iout (Max)	Vin=12V, Vin=24V, Dim=0V	60.0	70.0	80.0	mAmean
Backlight ON/OFF Control	ON	-	2.4	-	5.0	Vdc
	OFF	-	-0.3	-	0.8	

\* Output Voltage is greater than Input Voltage for at least 3V or more.

### 3.4. Test Circuit

-. S/W : A --> BLU ON  
B --> BLU OFF



GREEN C&C TECH	<b>LED DRIVER SPECIFICATION</b> <b>GH734A(A22)</b>	Publishing Date Reforming Date	2023.08.30
----------------	---	-----------------------------------	------------

#### 4. INTERFACE

##### 4.1. CN1 Connector (Input) : 20022WR-14AML (YEONHO) or Equivalent

PIN No.	Symbol	Description
1,2,3,4,5	VIN	Voltage Input : 12V, 24V (Typ.)
6,7,8,9,10,11	GND	Ground
12	ON/OFF	LED DRIVER ON/OFF Control
13	A-DIM	0V(MAX) ~ 5V(MIN)
14	P-DIM	No Connection

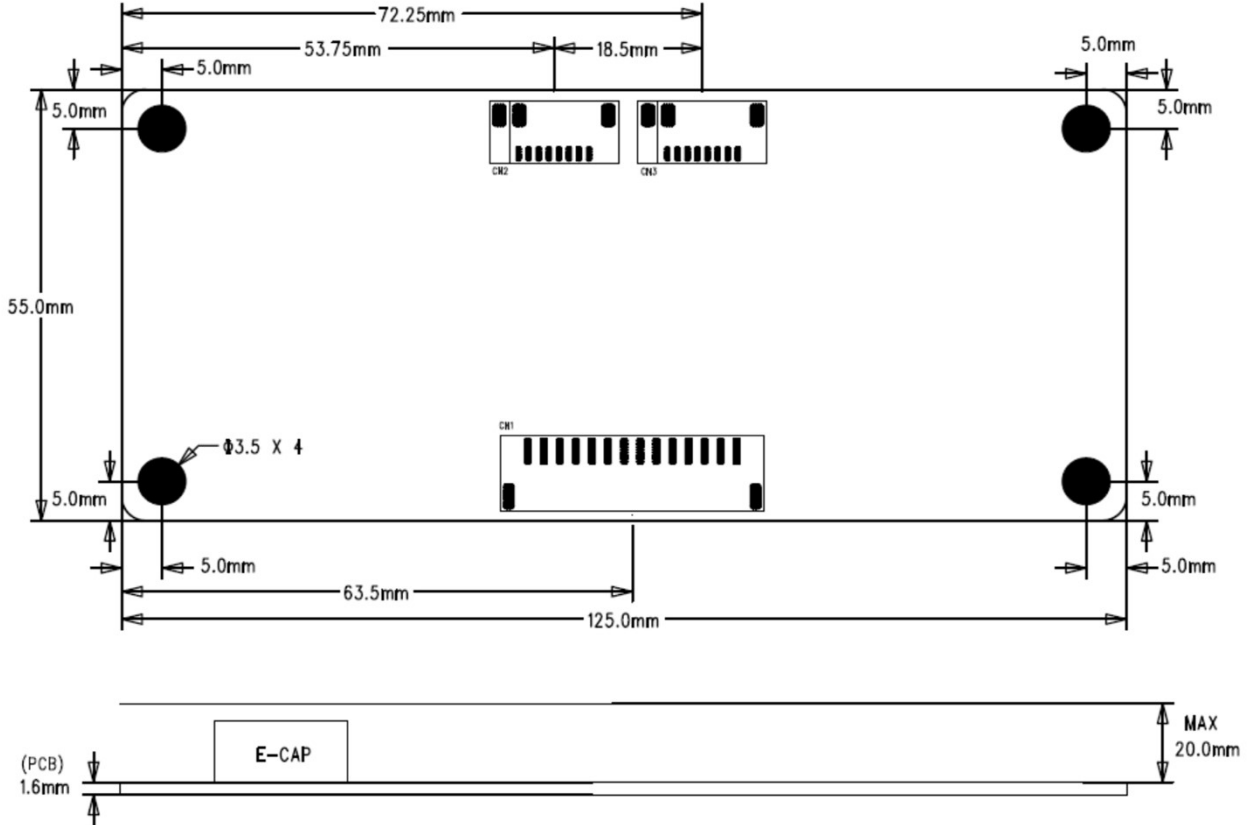
##### 4.2. CN2,CN3 Connector (Output) : 12507WR-06L (YEONHO) or Equivalent

PIN No.	Symbol	Description
1	FB1	Feedback1
2	FB2	Feedback2
3	VLED	LED Output
4	VLED	LED Output
5	FB3	Feedback3
6	FB4	Feedback4

GREEN C&C TECH	LED DRIVER SPECIFICATION GH734A(A22)	Publishing Date	2023.08.30
		Reforming Date	

### 5. APPERANCE (Unit : mm)

(Tolerance : +0.8mm, -0.2mm)



### 6. NOTATION OF LOT NUMBER

MARKING : BOTTOM

	<b>GH734A(A22)</b>	→ ① USER MODEL CODE
	<b>G20 01A</b>	→ ② PRODUCTION MANAGEMENT CODE
	<b>0001 AV</b>	→ ③ SERIAL NUMBER & CONTROL CODE

①	<b>GH734A(A19)</b>	: USER MODEL CODE
	<b>G</b>	: MANUFACTURER CODE (GREEN C&C TECH)
	<b>20</b>	: YEAR OF PRODUCT 20 → 2020 , 21 → 2021 , ... , 29 → 2029
②	<b>01</b>	: WEEK OF PRODUCT 01,02,03,04,...52
	<b>A</b>	: PUBLICATION NUMBER A,B,C,...,Z,0,1,2,...,9
③	<b>0001</b>	: SERIAL NUMBER 0001,0002.....9998,9999
	<b>AV</b>	: GCCT CONTROL MODEL CODE