



## SPECIFICATION

---



NL13676AC25-05D

15.6" – 1366 x 768 – LVDS

Version: 2

Date: September 2018

Note: This specification is subject to change without prior notice

# TFT COLOR LCD MODULE

## NL13676AC25-05D

**40cm (15.6 Type)**  
**WXGA (1366×768)**  
**LVDS interface (1port)**

**DATA SHEET** 

**DOD-PP-2957 (2nd edition)**

**This DATA SHEET is updated document from  
DATA SHEET DOD-PP-2612(1).**

**All information is subject to change without notice.  
Please confirm the sales representative before  
starting to design your system.**

---

## INTRODUCTION



The Copyright to this document belongs to Tianma Japan, Ltd. (hereinafter called "TMJ"). No part of this document will be used, reproduced or copied without prior written consent of TMJ.

TMJ does and will not assume any liability for infringement of patents, copyrights or other intellectual property rights of any third party arising out of or in connection with application of the products described herein except for that directly attributable to mechanisms and workmanship thereof. No license, express or implied, is granted under any patent, copyright or other intellectual property right of TMJ.

Some electronic products would fail or malfunction at a certain rate. In spite of every effort to enhance reliability of products by TMJ, the possibility of failures and malfunction might not be avoided entirely. To prevent the risks of damage to death, human bodily injury or other property arising out thereof or in connection therewith, each customer is required to take sufficient measures in its safety designs and plans including, but not limited to, redundant system, fire-containment and anti-failure.

The products are classified into three grades: "**Standard**", "**Special**", and "**Specific**".

Each quality grade is designed for applications described below. Any customer who intends to use a product for application other than that of Standard is required to contact an TMJ sales representative in advance.

The **Standard**: Applications as any failure, malfunction or error of the products are free from any damage to death, human bodily injury or other property (Products Safety Issue) and not related the safety of the public (Social Issues), like general electric devices.

Examples: Office equipment, audio and visual equipment, communication equipment, test and measurement equipment, personal electronic equipment, home electronic appliances, car navigation system (with no vehicle control functions), seat entertainment monitor for vehicles and airplanes, fish finder (except marine radar integrated type), PDA, etc.

The **Special**: Applications as any failure, malfunction or error of the products might directly cause any damage to death, human bodily injury or other property (Products Safety Issue) and the safety of the public (Social Issues) and required high level reliability by conventional wisdom.

Examples: Vehicle/train/ship control system, traffic signals system, traffic information control system, air traffic control system, surgery/operation equipment monitor, disaster/crime prevention system, etc.

The **Specific**: Applications as any failure, malfunction or error of the products might severe cause any damage to death, human bodily injury or other property (Products Safety Issue) and the safety of the public (Social Issues) and developed, designed and manufactured in accordance with the standards or quality assurance program designated by the customer who requires extremely high level reliability and quality.

Examples: Aerospace system (except seat entertainment monitor), nuclear control system, life support system, etc.

The quality grade of this product is the "**Standard**" unless otherwise specified in this document.

## CONTENTS

<b>INTRODUCTION .....</b>	<b>2</b>
<b>1. OUTLINE.....</b>	<b>4</b>
1.1 STRUCTURE AND PRINCIPLE .....	4
1.2 APPLICATION .....	4
1.3 FEATURES .....	4
<b>2. GENERAL SPECIFICATIONS.....</b>	<b>5</b>
<b>3. BLOCK DIAGRAM.....</b>	<b>6</b>
<b>4. DETAILED SPECIFICATIONS.....</b>	<b>7</b>
4.1 MECHANICAL SPECIFICATIONS .....	7
4.2 ABSOLUTE MAXIMUM RATINGS.....	7
4.3 ELECTRICAL CHARACTERISTICS.....	8
4.3.1 LCD panel signal processing board.....	8
4.3.2 LED driver .....	9
4.3.3 Fuse.....	10
4.4 POWER SUPPLY VOLTAGE SEQUENCE.....	11
4.4.1 LCD panel signal processing board.....	11
4.4.2 LED driver .....	12
4.5 CONNECTIONS AND FUNCTIONS FOR INTERFACE PINS.....	13
4.5.1 LCD panel signal processing board.....	13
4.5.2 LED driver .....	14
4.5.3 Positions of socket.....	14
4.5.4 Input data mapping .....	15
4.6 DISPLAY COLORS AND INPUT DATA SIGNALS.....	16
4.6.1 Combinations of input data signals, FRC and MSL signals.....	16
4.6.2 16,777,216 colors.....	17
4.6.3 262,144 colors.....	18
4.7 DISPLAY POSITIONS .....	19
4.8 INPUT SIGNAL TIMINGS .....	20
4.8.1 Outline of input signal timings .....	20
4.8.2 Timing characteristics.....	21
4.8.3 Input signal timing chart.....	22
4.9 LVDS Rx AC SPEC .....	23
4.10 OPTICS.....	24
4.10.1 Optical characteristics.....	24
4.10.2 Definition of contrast ratio.....	25
4.10.3 Definition of luminance uniformity .....	25
4.10.4 Definition of response times .....	25
4.10.5 Definition of viewing angles.....	25
<b>5. ESTIMATED LUMINANCE LIFETIME.....</b>	<b>26</b>
<b>6. RELIABILITY TESTS .....</b>	<b>27</b>
<b>7. PRECAUTIONS .....</b>	<b>28</b>
7.1 MEANING OF CAUTION SIGNS .....	28
7.2 CAUTIONS .....	28
7.3 ATTENTIONS.....	28
7.3.1 Handling of the product .....	28
7.3.2 Environment.....	29
7.3.3 Characteristics.....	29
7.3.4 Others.....	29
<b>8. OUTLINE DRAWINGS.....</b>	<b>30</b>
8.1 FRONT VIEW .....	30
8.2 REAR VIEW .....	31

## 1. OUTLINE

### 1.1 STRUCTURE AND PRINCIPLE

Color LCD module NL13676AC25-05D is composed of the amorphous silicon thin film transistor liquid crystal display (a-Si TFT LCD) panel structure with driver LSIs for driving the TFT (Thin Film Transistor) array and a backlight.

The a-Si TFT LCD panel structure is injected liquid crystal material into a narrow gap between the TFT array glass substrate and a color-filter glass substrate.

Color (Red, Green, Blue) data signals from a host system (e.g. signal generator, etc.) are modulated into best form for active matrix system by a signal processing board, and sent to the driver LSIs which drive the individual TFT arrays.

The TFT array as an electro-optical switch regulates the amount of transmitted light from the backlight assembly, when it is controlled by data signals. Color images are created by regulating the amount of transmitted light through the TFT array of red, green and blue dots.

### 1.2 APPLICATION

- For industrial use

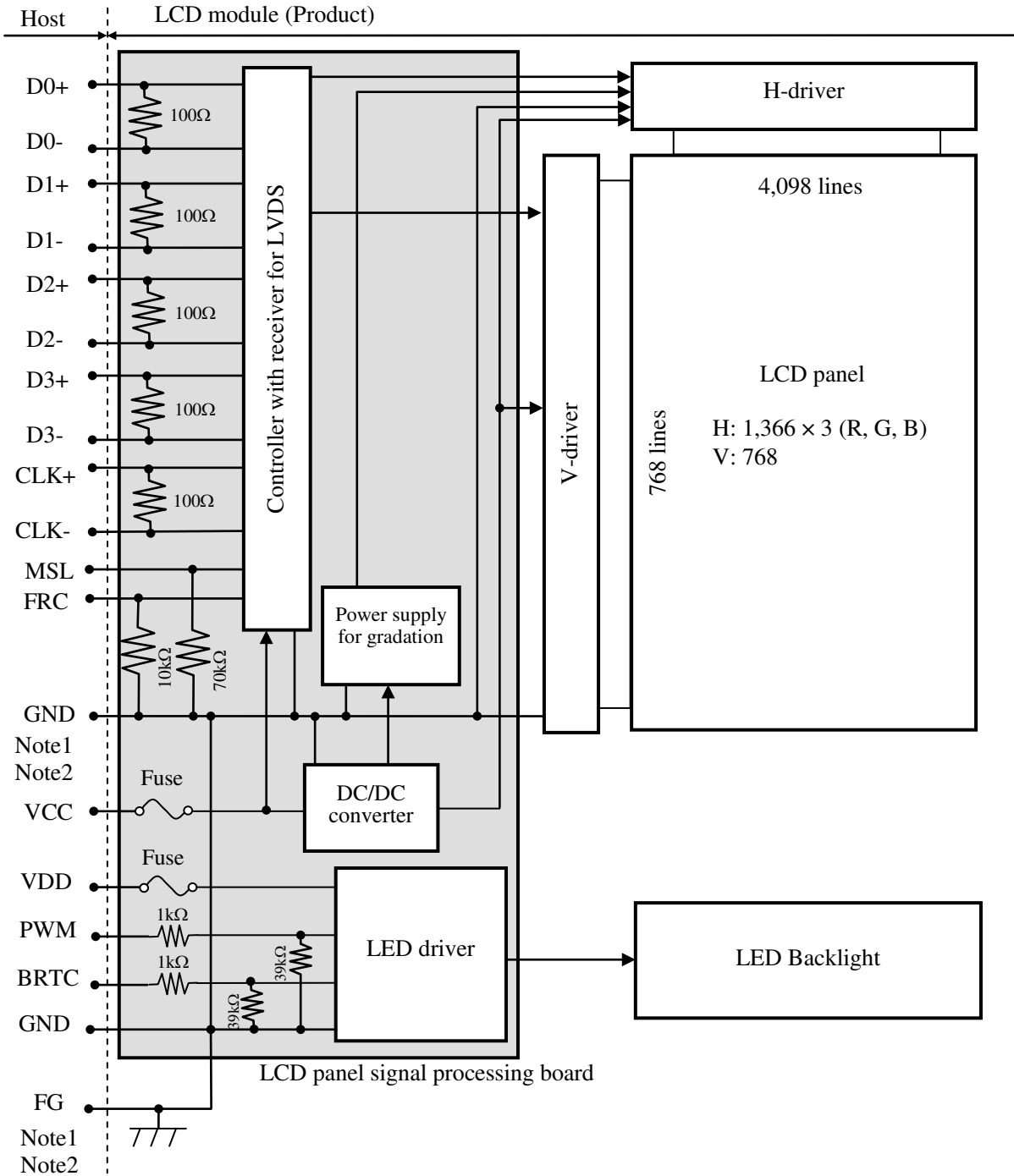
### 1.3 FEATURES

- Wide temperature range
- LVDS interface
- LED backlight built in LED driver
- Replaceable lamp holder for backlight
- Acquisition product for UL60950-1/CSA C22.2 No.60950-1-03 (File number: E170632)
- Compliance with the European RoHS directive (2011/65/EU)

**2. GENERAL SPECIFICATIONS**

<b>Display area</b>	344.232 (H) × 193.536 (V) mm
<b>Diagonal size of display</b>	40cm (15.6 inches)
<b>Drive system</b>	a-Si TFT active matrix
<b>Display color</b>	16,777,216 colors (At 8-bit input, FRC terminal= Low or Open) 262,144 colors (At 6-bit input, FRC terminal= High)
<b>Pixel</b>	1,366 (H) × 768 (V) pixels
<b>Pixel arrangement</b>	RGB (Red dot, Green dot, Blue dot) vertical stripe
<b>Dot pitch</b>	0.084 (H) × 0.252 (V) mm
<b>Pixel pitch</b>	0.252 (H) × 0.252 (V) mm
<b>Module size</b>	363.8 (W) × 215.9 (H) × 10.3 (D) mm (typ.)
<b>Weight</b>	800g (typ.)
<b>Contrast ratio</b>	900:1 (typ.)
<b>Viewing angle</b>	At the contrast ratio $\geq 10:1$ <ul style="list-style-type: none"> <li>• Horizontal: Right side 80° (typ.), Left side 80° (typ.)</li> <li>• Vertical: Up side 80° (typ.), Down side 80° (typ.)</li> </ul>
<b>Designed viewing direction</b>	<ul style="list-style-type: none"> <li>• Viewing angle with optimum grayscale (<math>\gamma=2.2</math>): normal axis (perpendicular)</li> <li>• Viewing direction without image reversal: Up side (12 o'clock)</li> <li>• Viewing direction with contrast peak: Down side (6 o'clock)</li> </ul>
<b>Polarizer surface</b>	Antiglare
<b>Polarizer pencil-hardness</b>	3H (min.) [by JIS K5600]
<b>Color gamut</b>	At LCD panel center 60% (typ.) [against NTSC color space]
<b>Response time</b>	$T_{on}+T_{off}$ (10% $\leftrightarrow$ 90%) 18ms (typ.)
<b>Luminance</b>	At the maximum luminance control 400cd/m <sup>2</sup> (typ.)
<b>Signal system</b>	LVDS interface (1 port)
<b>Power supply voltage</b>	LCD panel signal processing board: 3.3V LED driver: 12.0V
<b>Backlight</b>	LED backlight built in LED driver ( Replaceable part • Lamp holder set: 156LHS202 )
<b>Power consumption</b>	At the maximum luminance control, Checkered flag pattern 8.5W (typ.)

**3. BLOCK DIAGRAM**



Note1: Relation between GND (Signal ground and LED driver ground) and FG (Frame ground) in the LCD module is as follows.

GND- FG	Connected
---------	-----------

Note2: GND and FG must be connected to customer equipment's ground, and it is recommended that these grounds to be connected together in customer equipment.

**4. DETAILED SPECIFICATIONS**
**4.1 MECHANICAL SPECIFICATIONS**

Parameter	Specification	Unit
Module size	363.8 ± 0.5 (W) × 215.9 ± 0.5 (H) × 10.3 ± 0.5 (D) Note1	mm
Display area	344.232 (H) × 193.536 (V) Note1	mm
Weight	800 (typ.), 880 (max.)	g

Note1: See "8. OUTLINE DRAWINGS".

**4.2 ABSOLUTE MAXIMUM RATINGS**

Parameter		Symbol	Rating	Unit	Remarks
Power supply voltage	LCD panel signal processing board	VCC	-0.3 to +4.0	V	Ta= 25°C
	LED driver	VDD	-0.3 to +25.0		
Input voltage for signals	Display signals Note1	VD	-0.3 to +1.98	V	
	Function signals Note2	VF	-0.3 to +4.0	V	
	Function signal for LED driver	PWM	-0.3 to +5.5	V	
		BRTC	-0.3 to +5.5	V	
Storage temperature		Tst	-20 to +80	°C	
Operating temperature	Front surface	TopF	-20 to +70	°C	Note3
	Rear surface	TopR	-20 to +70	°C	Note4
Relative humidity Note5	RH		≤ 95	%	Ta ≤ 40°C
			≤ 85	%	40°C < Ta ≤ 50°C
			≤ 55	%	50°C < Ta ≤ 60°C
			≤ 36	%	60°C < Ta ≤ 70°C
Absolute humidity Note5		AH	≤ 70 Note6	g/m <sup>3</sup>	Ta > 70°C

Note1: D0+/-, D1+/-, D2+/-, D3+/-, CLK+/-

Note2: FRC, MSL

Note3: Measured at LCD panel surface (including self-heat)

Note4: Measured at LCD module's rear shield surface (including self-heat)

Note5: No condensation

Note6: Water amount at Ta= 70°C and RH= 36%



4.3 ELECTRICAL CHARACTERISTICS

4.3.1 LCD panel signal processing board

(Ta= 25°C)

Parameter	Symbol	min.	typ.	max.	Unit	Remarks	
Power supply voltage	VCC	3.0	3.3	3.6	V	-	
Power supply current	ICC	-	480 Note1	830 Note2	mA	at VCC= 3.3V	
Permissible ripple voltage	VRPC	-	-	300	mVp-p	for VCC Note3, Note4, Note5	
Differential input threshold voltage	High	VTH	-	+100	mV	at VCM= 1.25V Note6,7	
	Low	VTL	-100	-	mV		
Input differential voltage	VID	100	-	600	mV	-	
Differential input common mode voltage	VCM	0.7	1.25	1.6	V	-	
Terminating resistance	RT	-	100	-	Ω	-	
Input voltage for FRC signal	High	VFH1	2.25	-	VCC	V	-
	Low	VFL1	0	-	0.40		
Input voltage for MSL signal	High	VFH2	2.25	-	VCC	V	-
	Low	VFL2	0	-	0.40		
Input current for FRC signal	High	IFH1	-	-	+500	μA	-
	Low	IFL1	-500	-	-		
Input current for MSL signal	High	IFH2	-	-	+500	μA	-
	Low	IFL2	-500	-	-		

Note1: Checkered flag pattern [by IEC 61747-6]

Note2: Pattern for maximum current

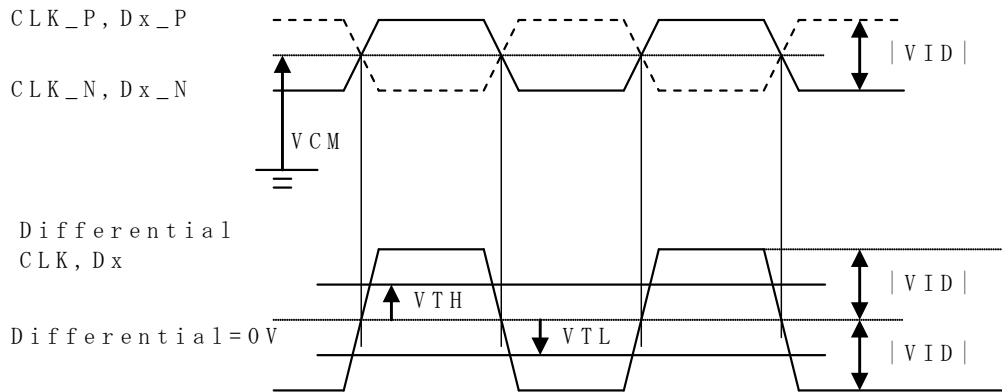
Note3: This product works even if the ripple voltage levels are over the permissible values, but there might be noise on the display image.

Note4: The permissible ripple voltage includes spike noise.

Note5: The load variation influence does not include.

Note6: Common mode voltage for LVDS receiver

Note7: DC characteristics (LVDS receiver part)



CLK\_P, CLK\_N  
Dx\_P, Dx\_N x = 0,1,2,3  
|VID| = |\*\*\_P-\*\*\_N|  
VCM = (\*\*\_P+\*\*\_N)/2  
P: +, N: -  
\*\*: CLK or Dx

## 4.3.2 LED driver

(Ta= 25°C)

Parameter	Symbol	min.	typ.	max.	Unit	Remarks	
Power supply voltage	VDD	10.8	12.0	13.2	V	Note1	
Power supply current	IDD	-	580	720 Note2	mA	At the maximum luminance control	
Permissible ripple voltage	VRPD	-	-	300	mVp-p	for VDD Note3, Note4, Note5	
Input voltage for PWM signal	High	VDFH1	1.2	-	5.3	V	-
	Low	VDFL1	0	-	0.4		
Input voltage for BRTC signal	High	VDFH2	1.5	-	5.3		
	Low	VDFL2	0	-	0.8		
Input current for PWM signal	High	IBCH1	-	-	+500	μA	-
	Low	IBCL1	-500	-	-		
Input current for BRTC signal	High	IBCH2	-	-	+500		
	Low	IBCL2	-500	-	-		
PWM frequency	f <sub>PWM</sub>	100	-	10k	Hz	Note6, Note8	
PWM duty ratio	DR <sub>PWM</sub>	1	-	100	%	Note7, Note9, Note10	
PWM pulse width	tPWH	10	-	-	μs	Note9, Note10	

Note1: When designing of the power supply, take the measures for the prevention of surge voltage.

Note2: This value excludes peak current such as overshoot current.

Note3: This product works even if the ripple voltage levels are over the permissible values, but there might be noise on the display image.

Note4: The permissible ripple voltage includes spike noise.

Note5: The power supply lines (VDD and GND) may have ripple voltage during luminance control of LED. There is the possibility that the ripple voltage produces acoustic noise and signal wave noise in audio circuit and so on.

Note6: A recommended f<sub>PWM</sub> value is as follows.

$$f_{PWM} = \frac{2n-1}{4} \times fv$$

(n = integer, fv = frame frequency of LCD module)

Note7:  $DR_{PWM} = \frac{tPWH}{tPW}$

tPWH: PWM pulse width, tPW: PWM dimming cycle (= 1/f<sub>PWM</sub>)

Note8: Depending on the frequency used, some noise may appear on the screen, please conduct a thorough evaluation.

Note9: While the BRTC signal is high, do not set the tPWH (PWM pulse width) is less than minimum value. It may cause abnormal working of the backlight. In this case, turn the backlight off and then on again by BRTC signal.

Note10: Regardless of the PWM frequency, both PWM duty ratio and PWM pulse width must be always more than the minimum values.

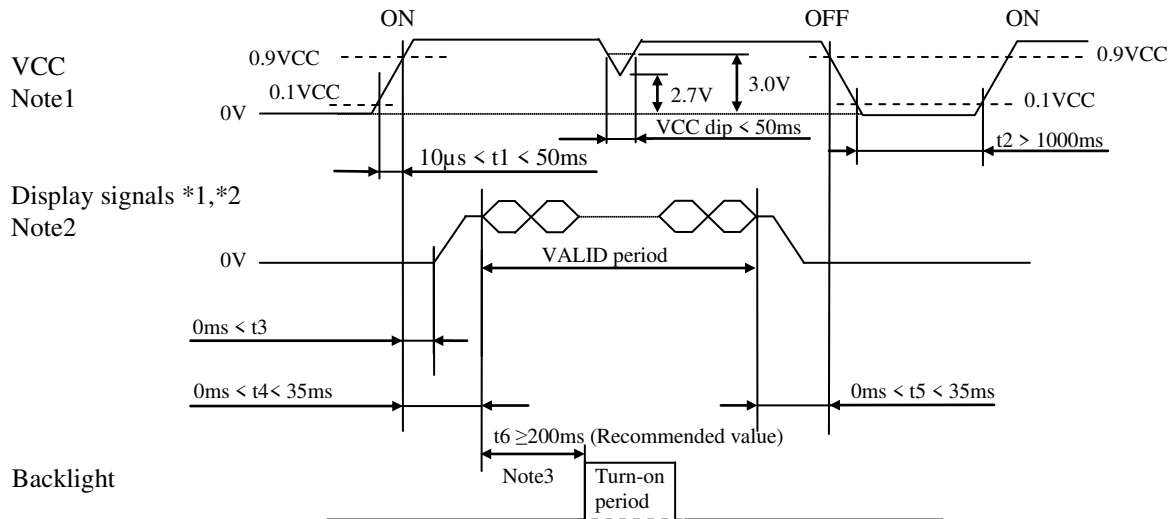
## 4.3.3 Fuse

Parameter	Fuse		Rating	Fusing current	Remarks
	Type	Supplier			
VCC	FCC16152AB	KAMAYA ELECTRIC Co., Ltd.	1.5 A	3.0A 5 seconds	Note 1
			36 V		
VDD	FCC16202AB	KAMAYA ELECTRIC Co., Ltd.	2.0 A	4.0A 5 seconds	
			36 V		

Note1: The power supply's rated current must be more than the fusing current. If it is less than the fusing current, the fuse may not blow in a short time, and then nasty smell, smoke and so on may occur.

4.4 POWER SUPPLY VOLTAGE SEQUENCE

4.4.1 LCD panel signal processing board



\*1: DA0+/-, DA1+/-, DA2+/-, DA3+/-, CLK+/-

\*2: These signals should be measured at the terminal of 100Ω resistance.

Note1: If there is a voltage variation (voltage drop) at the rising edge of VCC below 3.0V, there is a possibility that a product does not work due to a protection circuit.

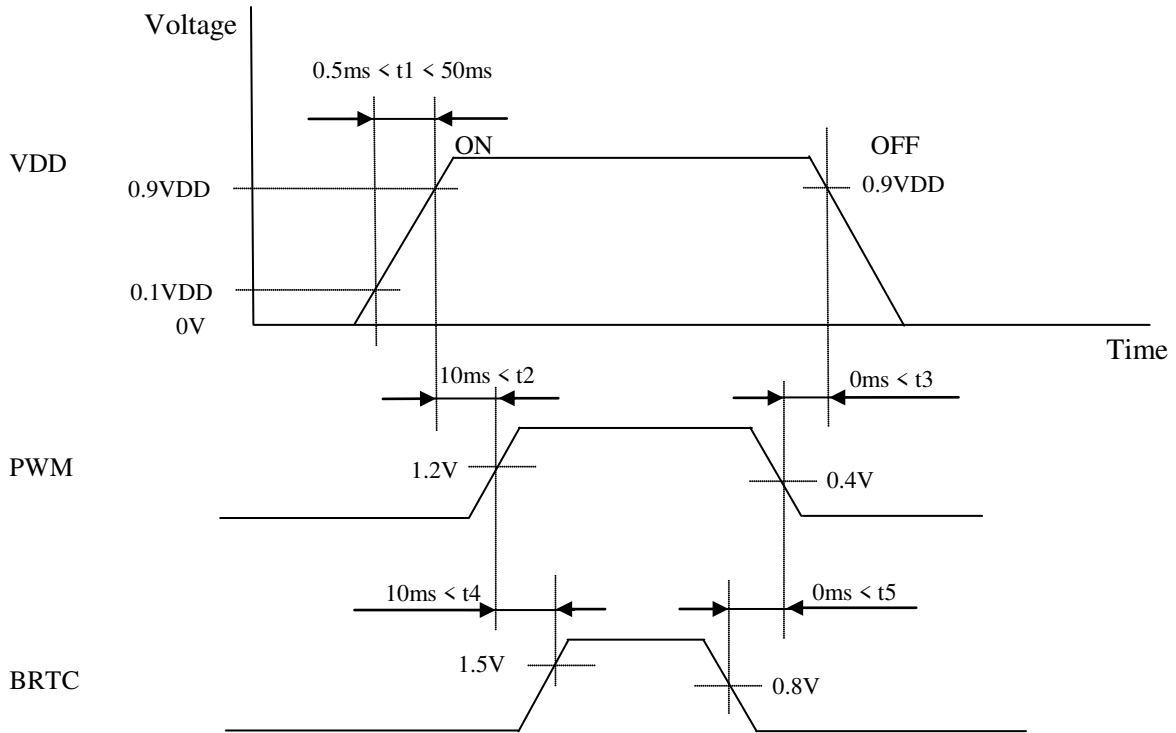
Note2: Display signals (D0+/-, D1+/-, D2+/-, D3+/- and CLK+/-) and function signals (MSL and FRC) must be set to Low or High-impedance, except the VALID period (See above sequence diagram), in order to avoid the circuitry damage.

If some of display and function signals of this product are cut while this product is working, even if the signal input to it once again, it might not work normally. If a customer stops the display and function signals, VCC also must be shut down.

Note3: In order to avoid unstable data display, the backlight is recommended to turn on within the VALID period of display and function signals.

Recommended value:  $t_6 \geq 200ms$

4.4.2 LED driver



**4.5 CONNECTIONS AND FUNCTIONS FOR INTERFACE PINS**
**4.5.1 LCD panel signal processing board**

CN1 socket (LCD module side): 185083-20121 (P-TWO ELECTRIC TECHNOLOGY CO., LTD.)

Adaptable plug: DF14-20S-1.25C (Hirose Electric Co., Ltd. (HRS)) or equivalent

Pin No.	Symbol	Signal	Input data signal: 8-bit		Input data signal: 6-bit	Remarks
			MAP A	MAP B		
1	VCC	Power supply	Power supply			Note1
2	VCC					
3	GND	Ground	Ground			Note1
4	N.C.	Non connection	Non connection			-
5	D0-	Pixel data	R2-R7, G2	R0-R5, G0		Note2
6	D0+					
7	GND	Ground	Ground			Note1
8	D1-	Pixel data	G3-G7, B2-B3	G1-G5, B0-B1		Note2
9	D1+					
10	GND	Ground	Ground			Note1
11	D2-	Pixel data	B4-B7, DE	B2-B5, DE		Note2
12	D2+					
13	GND	Ground	Ground			Note1
14	CLK-	Pixel clock	Pixel clock			Note2
15	CLK+					
16	GND	Ground	Ground			Note1
17	D3- / GND	Pixel data / Ground	R0-R1 G0-G1 B0-B1	R6-R7 G6-G7 B6-B7	Ground	Note2
18	D3+ / GND					
19	FRC	Selection of the number of colors	Low or Open		High	-
20	MSL	Selection of LVDS input data map	High	Low or Open	High	Note3

Note1: All GND and VCC terminals should be used without any non-connected lines.

Note2: Twist pair wires with 100Ω (Characteristic impedance) should be used between LCD panel signal processing board and LVDS transmitter.

 Note3: See "**4.6 DISPLAY COLORS AND INPUT DATA SIGNALS**".

4.5.2 LED driver

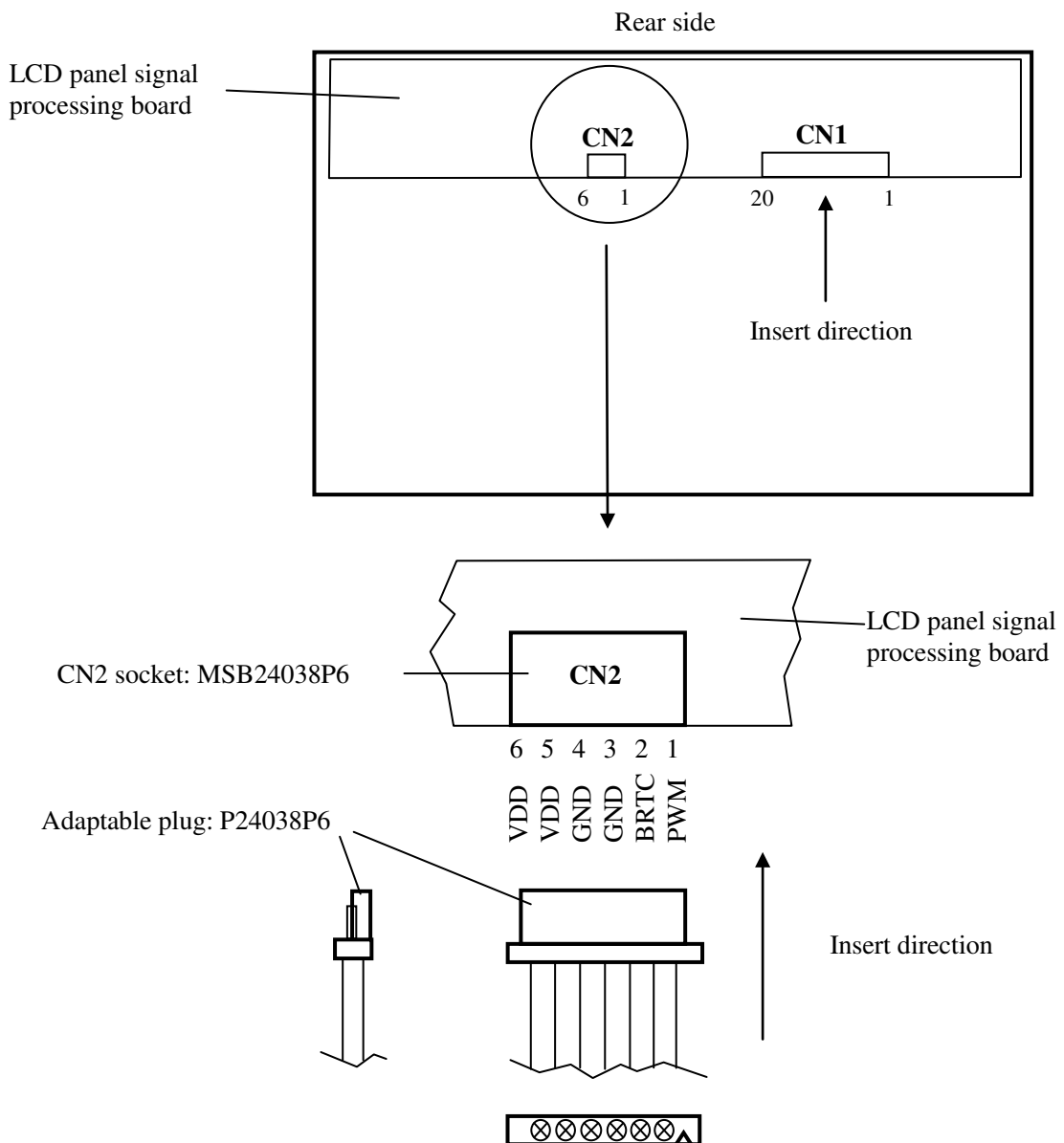
CN2 socket (LCD module side): MSB24038P6 (Produced by STM)  
 Adaptable plug: P24038P6 (STM)



Pin No.	Symbol	Signal	Remarks
1	PWM	Luminance control	PWM dimming
2	BRTC	Back light ON/OFF control	High: On, Low or Open: Off
3	GND	Ground	Note1
4	GND	Ground	Note1
5	VDD	Power supply	Note1
6	VDD	Power supply	Note1

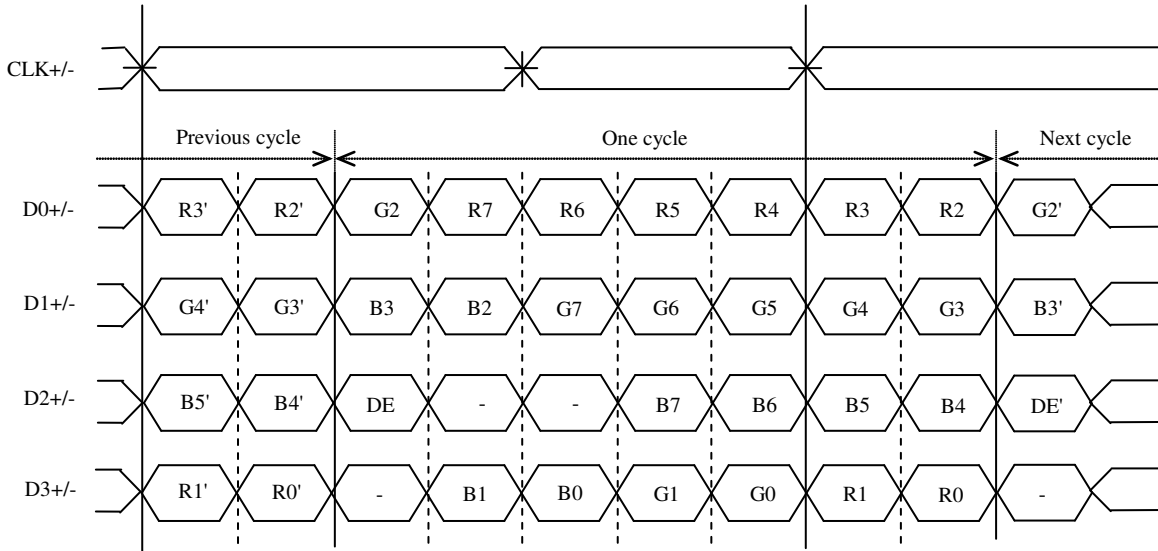
Note1: All GND and VDD terminals should be used without any non-connected lines.

4.5.3 Positions of socket



4.5.4 Input data mapping

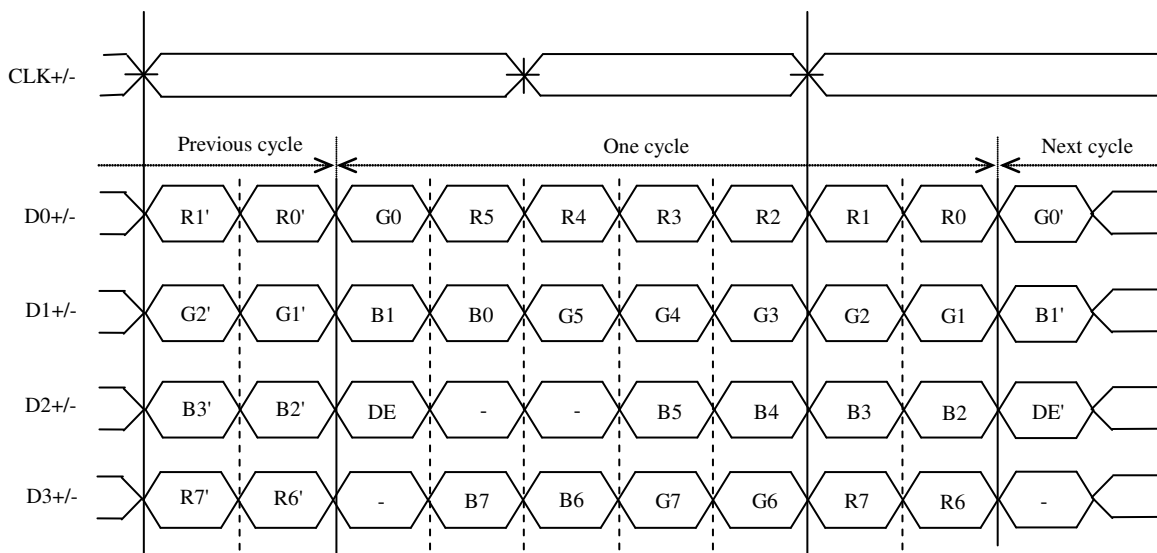
(1) Input data signal: 8-bit, MAP A



Note1: LSB (Least Significant Bit) – R0, G0, B0 MSB (Most Significant Bit) – R7, G7, B7

Note2: Twist pair wires with 100Ω (Characteristic impedance) should be used between LCD panel signal processing board and LVDS transmitter.

(2) Input data signal: 8-bit, MAP B

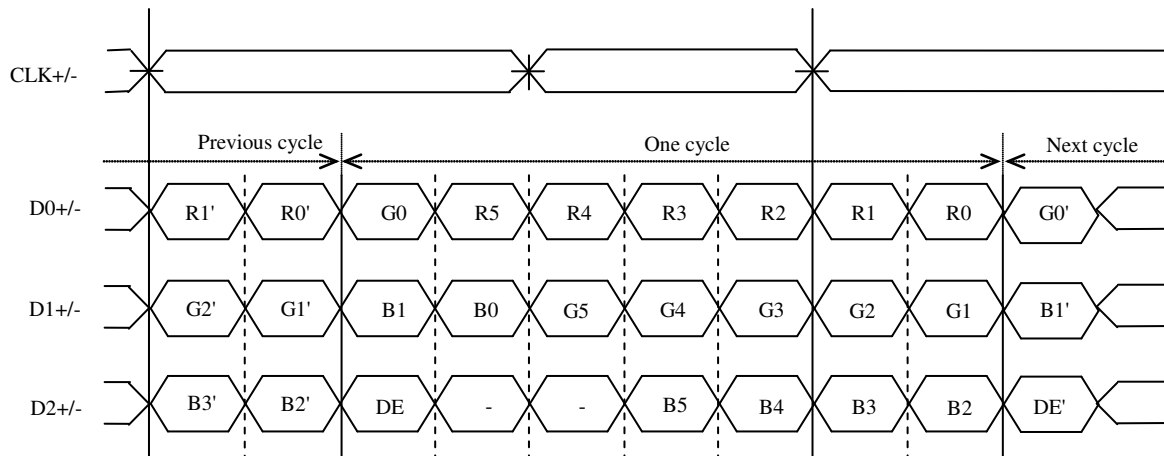


Note1: LSB (Least Significant Bit) – R0, G0, B0 MSB (Most Significant Bit) – R7, G7, B7

Note2: Twist pair wires with 100Ω (Characteristic impedance) should be used between LCD panel signal processing board and LVDS transmitter.



(3) Input data signal: 6-bit



Note1: LSB (Least Significant Bit) – R0, G0, B0 MSB (Most Significant Bit) – R5, G5, B5

Note2: Twist pair wires with 100Ω (Characteristic impedance) should be used between LCD panel signal processing board and LVDS transmitter.

#### 4.6 DISPLAY COLORS AND INPUT DATA SIGNALS

##### 4.6.1 Combinations of input data signals, FRC and MSL signals

This product can display equivalent of 16,777,216 colors and 262,144 colors by combination of input data signals, FRC and MSL signals. See the following table.

Combination	Input data signals	Input Data mapping	CN1- Pin No.17 and 18	FRC terminal	MSL terminal	Display colors	Remarks
①	8-bit	MAP A	D3+/-	Low or Open	High	16,777,216	Note1
②	8-bit	MAP B	D3+/-	Low or Open	Low or Open	16,777,216	Note1
③	6-bit	-	GND	High	High	262,144	Note2

Note1: See "4.6.2 16,777,216 colors".

Note2: See "4.6.3 262,144 colors".

## 4.6.2 16,777,216 colors

This product can display 16,777,216 colors equivalent with 256 gray scales by combination ① or ②.  
 (See "4.6.1 Combinations of input data signals, FRC and MSL signal".)

Also the relation between display colors and input data signals is as follows.

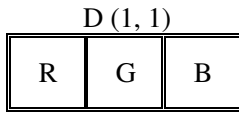
Display colors		Data signal (0: Low level, 1: High level)																							
		R7	R6	R5	R4	R3	R2	R1	R0	G7	G6	G5	G4	G3	G2	G1	G0	B7	B6	B5	B4	B3	B2	B1	B0
Basic Colors	Black	0	0	0	0	0	0	0	0	0	0	0	0	0	0	0	0	0	0	0	0	0	0	0	0
	Blue	0	0	0	0	0	0	0	0	0	0	0	0	0	0	0	0	1	1	1	1	1	1	1	1
	Red	1	1	1	1	1	1	1	1	0	0	0	0	0	0	0	0	0	0	0	0	0	0	0	0
	Magenta	1	1	1	1	1	1	1	1	0	0	0	0	0	0	0	0	1	1	1	1	1	1	1	1
	Green	0	0	0	0	0	0	0	0	1	1	1	1	1	1	1	1	0	0	0	0	0	0	0	0
	Cyan	0	0	0	0	0	0	0	0	1	1	1	1	1	1	1	1	1	1	1	1	1	1	1	1
	Yellow	1	1	1	1	1	1	1	1	1	1	1	1	1	1	1	1	0	0	0	0	0	0	0	0
	White	1	1	1	1	1	1	1	1	1	1	1	1	1	1	1	1	1	1	1	1	1	1	1	1
Red gray scale	Black	0	0	0	0	0	0	0	0	0	0	0	0	0	0	0	0	0	0	0	0	0	0	0	0
	dark	0	0	0	0	0	0	0	1	0	0	0	0	0	0	0	0	0	0	0	0	0	0	0	0
	↑					:								:											
	↓					:								:											
	bright	1	1	1	1	1	1	0	1	0	0	0	0	0	0	0	0	0	0	0	0	0	0	0	0
Red	1	1	1	1	1	1	1	1	0	0	0	0	0	0	0	0	0	0	0	0	0	0	0	0	
Green gray scale	Black	0	0	0	0	0	0	0	0	0	0	0	0	0	0	0	0	0	0	0	0	0	0	0	0
	dark	0	0	0	0	0	0	0	0	0	0	0	0	0	0	0	1	0	0	0	0	0	0	0	0
	↑					:								:											
	↓					:								:											
	bright	0	0	0	0	0	0	0	0	1	1	1	1	1	1	0	1	0	0	0	0	0	0	0	0
Green	0	0	0	0	0	0	0	0	1	1	1	1	1	1	1	1	0	0	0	0	0	0	0	0	
Blue gray scale	Black	0	0	0	0	0	0	0	0	0	0	0	0	0	0	0	0	0	0	0	0	0	0	0	0
	dark	0	0	0	0	0	0	0	0	0	0	0	0	0	0	0	0	0	0	0	0	0	0	0	1
	↑					:								:											
	↓					:								:											
	bright	0	0	0	0	0	0	0	0	0	0	0	0	0	0	0	0	1	1	1	1	1	1	0	1
Blue	0	0	0	0	0	0	0	0	0	0	0	0	0	0	0	0	1	1	1	1	1	1	1	0	

4.6.3 262,144 colors

This product can display 262,144 colors with 64 gray scales by combination ③.  
 (See "4.6.1 Combinations of input data signals, FRC and MSL signals".)  
 Also the relation between display colors and input data signals is as follows.

Display colors		Data signal (0: Low level, 1: High level)																	
		R5	R4	R3	R2	R1	R0	G5	G4	G3	G2	G1	G0	B5	B4	B3	B2	B1	B0
Basic colors	Black	0	0	0	0	0	0	0	0	0	0	0	0	0	0	0	0	0	0
	Blue	0	0	0	0	0	0	0	0	0	0	0	0	1	1	1	1	1	1
	Red	1	1	1	1	1	1	0	0	0	0	0	0	0	0	0	0	0	0
	Magenta	1	1	1	1	1	1	0	0	0	0	0	0	1	1	1	1	1	1
	Green	0	0	0	0	0	0	1	1	1	1	1	1	0	0	0	0	0	0
	Cyan	0	0	0	0	0	0	1	1	1	1	1	1	1	1	1	1	1	1
	Yellow	1	1	1	1	1	1	1	1	1	1	1	1	0	0	0	0	0	0
	White	1	1	1	1	1	1	1	1	1	1	1	1	1	1	1	1	1	1
Red gray scale	Black	0	0	0	0	0	0	0	0	0	0	0	0	0	0	0	0	0	0
	dark	0	0	0	0	0	1	0	0	0	0	0	0	0	0	0	0	0	0
	↑				:					:						:			
	↓				:					:						:			
	bright	1	1	1	1	0	1	0	0	0	0	0	0	0	0	0	0	0	0
Red	1	1	1	1	1	1	0	0	0	0	0	0	0	0	0	0	0	0	
Green gray scale	Black	0	0	0	0	0	0	0	0	0	0	0	0	0	0	0	0	0	0
	dark	0	0	0	0	0	0	0	0	0	0	1	0	0	0	0	0	0	0
	↑				:					:						:			
	↓				:					:						:			
	bright	0	0	0	0	0	0	1	1	1	1	0	1	0	0	0	0	0	0
Green	0	0	0	0	0	0	1	1	1	1	1	1	0	0	0	0	0	0	
Blue gray scale	Black	0	0	0	0	0	0	0	0	0	0	0	0	0	0	0	0	0	0
	dark	0	0	0	0	0	0	0	0	0	0	0	0	0	0	0	0	1	0
	↑				:					:						:			
	↓				:					:						:			
	bright	0	0	0	0	0	0	0	0	0	0	0	0	1	1	1	1	0	1
Blue	0	0	0	0	0	0	0	0	0	0	0	0	1	1	1	1	1	0	
Blue	0	0	0	0	0	0	0	0	0	0	0	0	1	1	1	1	1	1	

4.7 DISPLAY POSITIONS



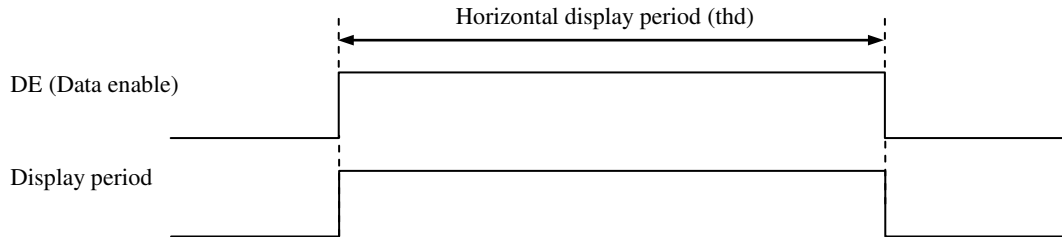
D( 1, 1)	D( 2, 1)	...	D( X, 1)	...	D(1365, 1)	D(1366, 1)
D( 1, 2)	D( 2, 2)	...	D( X, 2)	...	D(1365, 2)	D(1366, 2)
.	.	.	.	.	.	.
.	.	...	.	...	.	...
.	.	.	.	.	.	.
D( 1, Y)	D( 2, Y)	...	D( X, Y)	...	D(1365, Y)	D(1366, Y)
.	.	.	.	.	.	.
.	.	...	.	...	.	.
.	.	.	.	.	.	.
D( 1, 767)	D( 2, 767)	...	D( X, 767)	...	D(1365, 767)	D(1366, 767)
D( 1, 768)	D( 2, 768)	...	D( X, 768)	...	D(1365, 768)	D(1366, 768)

4.8 INPUT SIGNAL TIMINGS

4.8.1 Outline of input signal timings

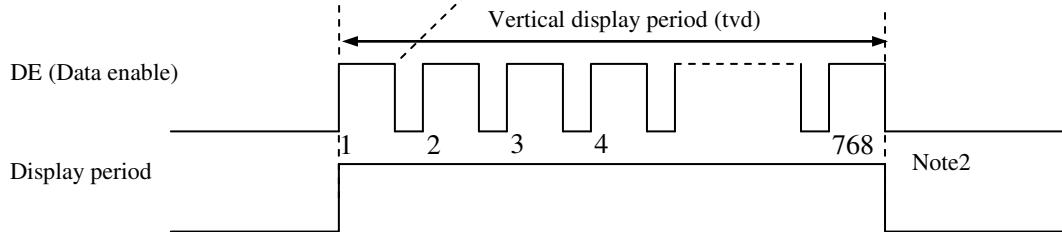
• Horizontal signal

Note1



• Vertical signal

Note1



Note1: This diagram indicates virtual signal for set up to timing.

Note2: See "4.8.3 Input signal timing chart" for the pulse number.

## 4.8.2 Timing characteristics

(Note1, Note2, Note3)

Parameter		Symbol	min.	typ.	max.	Unit	Remarks		
CLK	Frequency	1/tc	71.0	75.4	79.8	MHz	13.263 ns (typ.)		
	Duty ratio	-	-			-	-		
	Rise time, Fall time	-				ns			
DATA	CLK-DATA	Setup time	-			ns	-		
		Hold time				ns			
	Rise time, Fall time	-				ns			
DE	Horizontal	Cycle	th	16.542	20.690	26.88	μs	48.333 kHz (typ.)	
				1,446	1,560	1,936	CLK		
		Display period	thd	1,366			CLK	-	
	Vertical (One frame)	Cycle	tv		14.29	16.68	20.00	ms	59.97Hz (typ.)
					778	806	-	H	
		Display period	tvd	768			H	-	
	CLK-DE	Setup time	-	-			ns	-	
Hold time		-	ns						
	Rise time, Fall time	-	ns						

Note1: Definition of parameters is as follows.

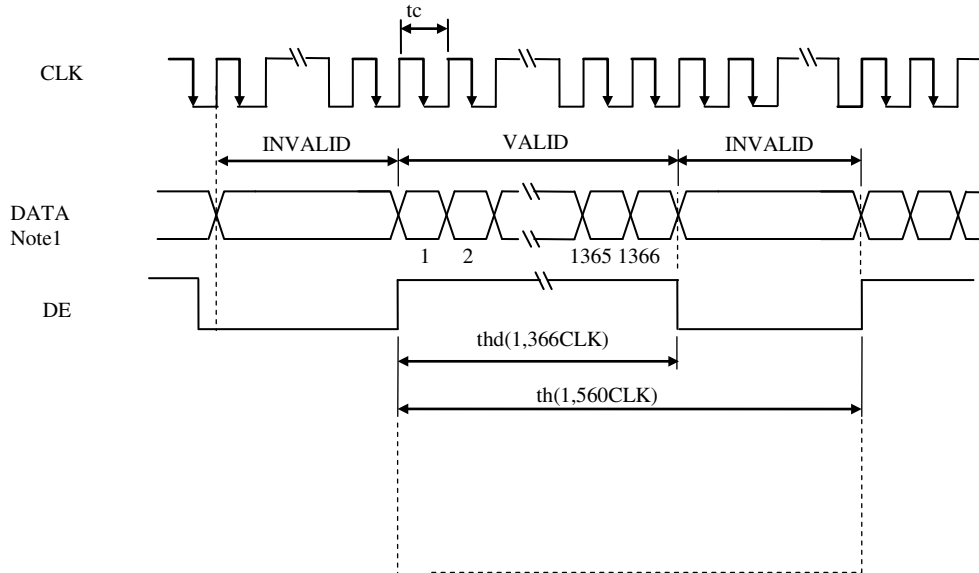
$$tc = 1CLK, th = 1H$$

Note2: See the data sheet of LVDS transmitter.

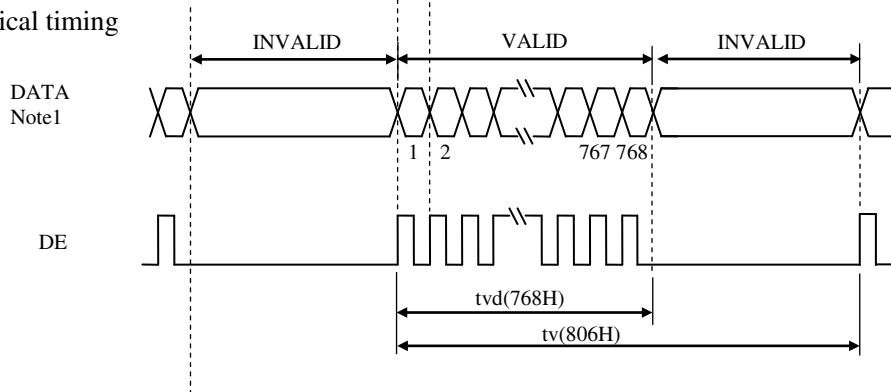
Note3: Vertical cycle (tv) should be specified in integral multiple of Horizontal cycle (th).

4.8.3 Input signal timing chart

Horizontal timing



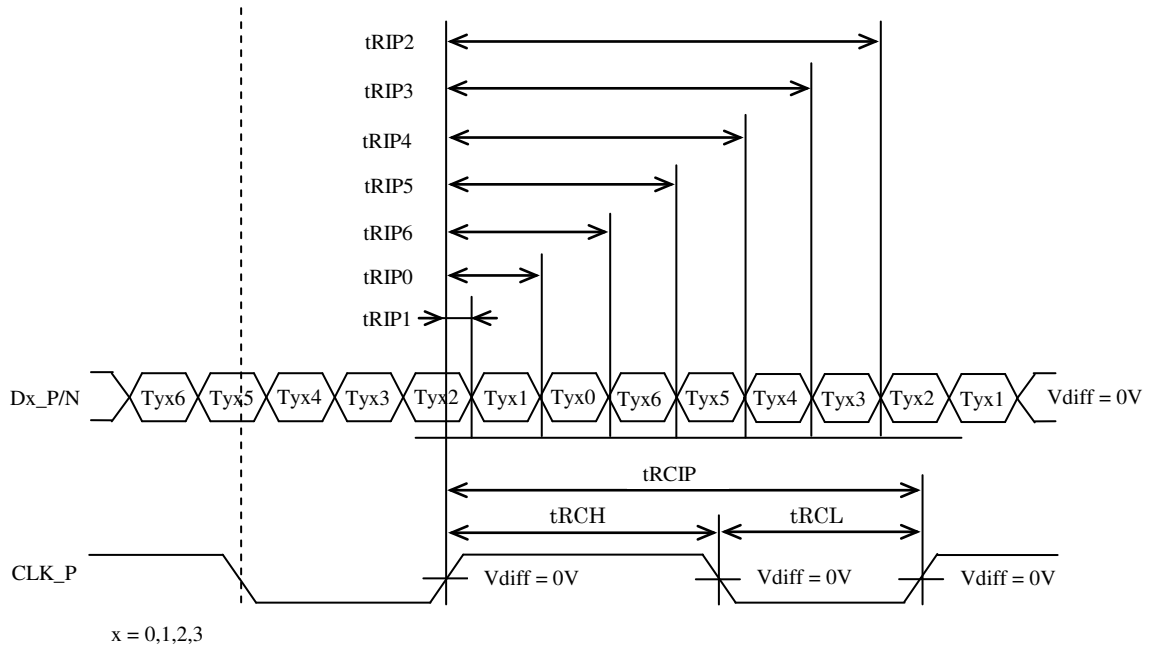
Vertical timing



Note1: DATA = R0-R7, G0-G7, B0-B7 or R0-R5, G0-G5, B0-B5

4.9 LVDS Rx AC SPEC

Symbol	Parameter	min.	typ.	max.	Units
$t_{RCIP}$	CKy_+ Period	12.54	-	14.08	ns
$t_{RCH}$	CKy_+ High pulse width	-	$\frac{4}{7} t_{RCIP}$	-	ns
$t_{RCL}$	CKy_+ Low pulse width	-	$\frac{3}{7} t_{RCIP}$	-	ns
$t_{RMG}$	Receiver Data Input Margin	-0.4	-	0.4	ns
$t_{RIP1}$	Input Data Position0	$- t_{RMG} $	0.0	$+ t_{RMG} $	ns
$t_{RIP0}$	Input Data Position1	$\frac{t_{RCIP}}{7} -  t_{RMG} $	$\frac{t_{RCIP}}{7}$	$\frac{t_{RCIP}}{7} +  t_{RMG} $	ns
$t_{RIP6}$	Input Data Position2	$2\frac{t_{RCIP}}{7} -  t_{RMG} $	$2\frac{t_{RCIP}}{7}$	$2\frac{t_{RCIP}}{7} +  t_{RMG} $	ns
$t_{RIP5}$	Input Data Position3	$3\frac{t_{RCIP}}{7} -  t_{RMG} $	$3\frac{t_{RCIP}}{7}$	$3\frac{t_{RCIP}}{7} +  t_{RMG} $	ns
$t_{RIP4}$	Input Data Position4	$4\frac{t_{RCIP}}{7} -  t_{RMG} $	$4\frac{t_{RCIP}}{7}$	$4\frac{t_{RCIP}}{7} +  t_{RMG} $	ns
$t_{RIP3}$	Input Data Position5	$5\frac{t_{RCIP}}{7} -  t_{RMG} $	$5\frac{t_{RCIP}}{7}$	$5\frac{t_{RCIP}}{7} +  t_{RMG} $	ns
$t_{RIP2}$	Input Data Position6	$6\frac{t_{RCIP}}{7} -  t_{RMG} $	$6\frac{t_{RCIP}}{7}$	$6\frac{t_{RCIP}}{7} +  t_{RMG} $	ns





4.10 OPTICS

4.10.1 Optical characteristics

(Note1, Note2)

Parameter	Condition	Symbol	min.	typ.	max.	Unit	Measuring instrument	Remarks	
Luminance	White at center $\theta R=0^\circ, \theta L=0^\circ, \theta U=0^\circ, \theta D=0^\circ$	L	280	400	-	cd/m <sup>2</sup>	BM-5A or equivalent	-	
Contrast ratio	White/Black at center $\theta R=0^\circ, \theta L=0^\circ, \theta U=0^\circ, \theta D=0^\circ$	CR	540	900	-	-	BM-5A or equivalent	Note3	
Luminance uniformity	White $\theta R=0^\circ, \theta L=0^\circ, \theta U=0^\circ, \theta D=0^\circ$	LU	-	1.25	1.4	-	BM-5A or equivalent	Note4	
Chromaticity	White	x coordinate	W <sub>x</sub>	0.263	0.313	0.363	-	SR-3 or equivalent	Note5
		y coordinate	W <sub>y</sub>	0.279	0.329	0.379	-		
	Red	x coordinate	R <sub>x</sub>	-	0.631	-	-		
		y coordinate	R <sub>y</sub>	-	0.357	-	-		
	Green	x coordinate	G <sub>x</sub>	-	0.344	-	-		
		y coordinate	G <sub>y</sub>	-	0.608	-	-		
Blue	x coordinate	B <sub>x</sub>	-	0.153	-	-			
	y coordinate	B <sub>y</sub>	-	0.089	-	-			
Color gamut	$\theta R=0^\circ, \theta L=0^\circ, \theta U=0^\circ, \theta D=0^\circ$ at center, against NTSC color space	C	55	60	-	%			
Response time	Black to White	T <sub>on</sub>	-	3	5	ms	BM-5A or equivalent	Note6	
	White to Black	T <sub>off</sub>	-	15	21	ms		Note7	
Viewing angle	Right	$\theta U=0^\circ, \theta D=0^\circ, CR \geq 10$	$\theta R$	70	80	-	EZ Contrast	Note8	
	Left	$\theta U=0^\circ, \theta D=0^\circ, CR \geq 10$	$\theta L$	70	80	-			
	Up	$\theta R=0^\circ, \theta L=0^\circ, CR \geq 10$	$\theta U$	70	80	-			
	Down	$\theta R=0^\circ, \theta L=0^\circ, CR \geq 10$	$\theta D$	70	80	-			

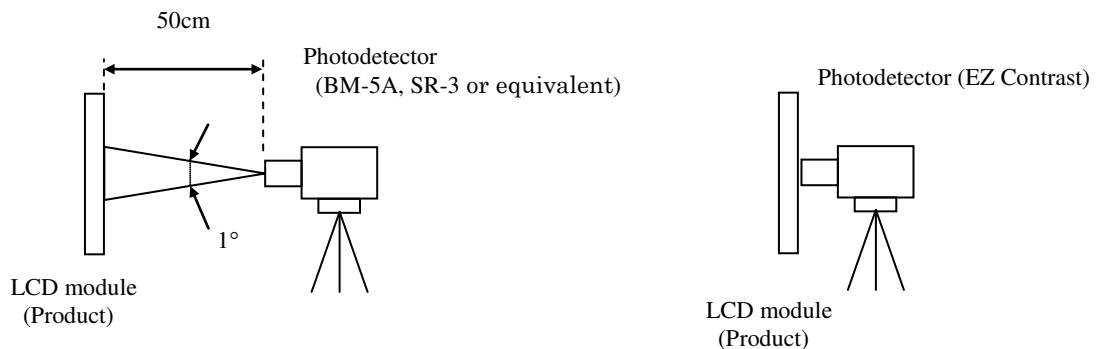
Note1: These are initial characteristics.

Note2: Measurement conditions are as follows.

T<sub>a</sub>= 25°C, VCC= 3.3V, VDD= 12.0V, PWM duty ratio: 100%,

Display mode: WXGA, Horizontal cycle= 1/48.333kHz, Vertical cycle= 1/59.97Hz,

Optical characteristics are measured at luminance saturation 20minutes after the product works in the dark room. Also measurement methods are as follows.



Note3: See "4.10.2 Definition of contrast ratio".

Note4: See "4.10.3 Definition of luminance uniformity".

Note5: These coordinates are found on CIE 1931 chromaticity diagram.

Note6: Product surface temperature: TopF= 30°C

Note7: See "4.10.4 Definition of response times".

Note8: See "4.10.5 Definition of viewing angles".

4.10.2 Definition of contrast ratio

The contrast ratio is calculated by using the following formula.

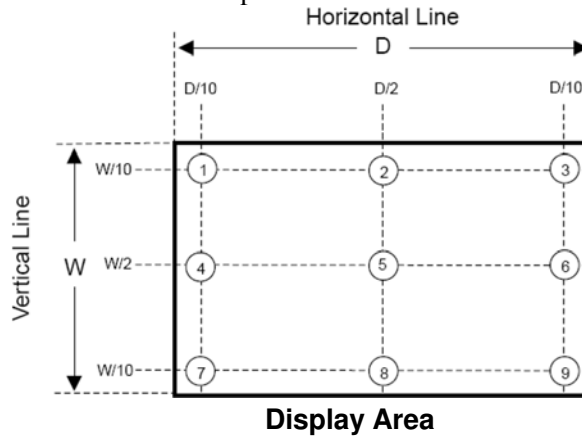
$$\text{Contrast ratio (CR)} = \frac{\text{Luminance of white screen}}{\text{Luminance of black screen}}$$

4.10.3 Definition of luminance uniformity

The luminance uniformity is calculated by using following formula.

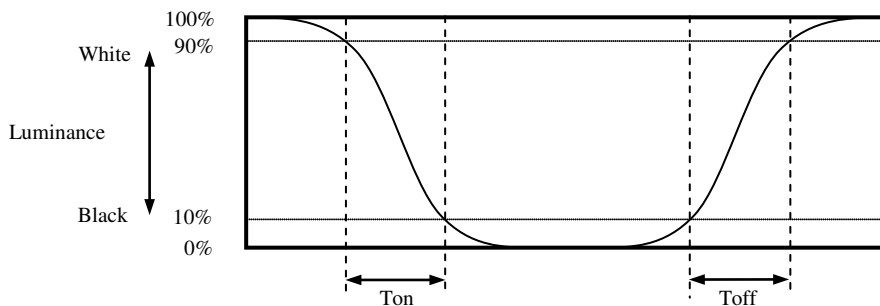
$$\text{Luminance uniformity (LU)} = \frac{\text{Maximum luminance from ① to ⑨}}{\text{Minimum luminance from ① to ⑨}}$$

The luminance is measured at near the 9 points shown below.

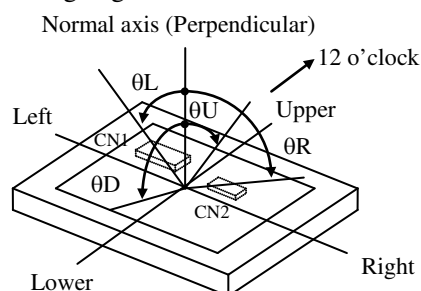


4.10.4 Definition of response times

Response time is measured at the time when the luminance changes from " white " to " black ", or " black " to " white " on the same screen point, by photo-detector. Ton is the time when the luminance changes from 90% down to 10%. Also Toff is the time when the luminance changes from 10% up to 90% (See the following diagram.).



4.10.5 Definition of viewing angles



## 5. ESTIMATED LUMINANCE LIFETIME

The luminance lifetime is the time from initial luminance to half-luminance.

**This lifetime is the estimated value, and is not guarantee value.**

Condition		Estimated luminance lifetime (Life time expectancy) Note1, Note2, Note3	Unit
LED elementary substance	25°C (Ambient temperature of the product) Continuous operation, PWM duty ratio: 100%	50,000	h
	70°C (Temperature of LCD panel surface and rear shield surface), Continuous operation, PWM duty ratio: 100%	30,000	

Note1: Life time expectancy is mean time to half-luminance.

Note2: Estimated luminance lifetime is not the value for LCD module but the value for LED elementary substance.

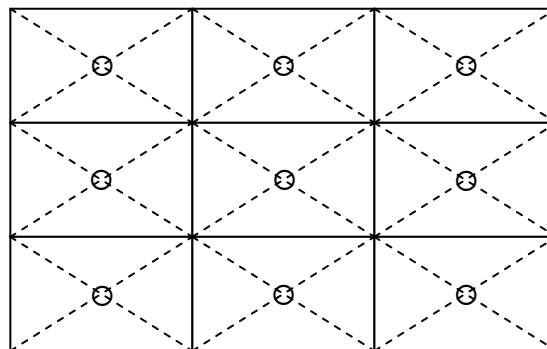
Note3: By ambient temperature, the lifetime changes particularly. Especially, in case the product works under high temperature environment, the lifetime becomes short.

## 6. RELIABILITY TESTS

Test item	Condition	Judgment	Note1
High temperature and humidity (Operation)	① $60 \pm 2^{\circ}\text{C}$ , RH= 90%, 240hours ② Display data is Black.	No display malfunctions	
High temperature (Operation)	① $70 \pm 3^{\circ}\text{C}$ , 240hours ② Display data is Black.		
Heat cycle (Operation)	① $-20 \pm 3^{\circ}\text{C}$ ...1hour $70 \pm 3^{\circ}\text{C}$ ...1hour ② 50cycles, 4 hours/cycle ③ Display data is Black.		
Thermal shock (Non operation)	① $-20 \pm 3^{\circ}\text{C}$ ...30minutes $80 \pm 3^{\circ}\text{C}$ ...30minutes ② 100cycles, 1hour/cycle ③ Temperature transition time is within 5 minutes.		
ESD (Operation)	① 150pF, 150 $\Omega$ , $\pm 10\text{kV}$ ② 9 places on a panel surface Note2 ③ 10 times each place at 1 sec interval		
Dust (Operation)	① Sample dust: No. 15 (by JIS-Z8901) ② 15 seconds stir ③ 8 times repeat at 1 hour interval		
Vibration (Non operation)	① 5 to 100Hz, 11.76m/s <sup>2</sup> ② 1 minute/cycle ③ X, Y, Z directions ④ 50 times each direction		
Mechanical shock (Non operation)	① 294m/s <sup>2</sup> , 11ms ② $\pm\text{X}$ , $\pm\text{Y}$ , $\pm\text{Z}$ directions ③ 3 times each direction		

Note1: Display and appearance are checked under environmental conditions equivalent to the inspection conditions of defect criteria.

Note2: See the following figure for discharge points.



## 7. PRECAUTIONS

### 7.1 MEANING OF CAUTION SIGNS

The following caution signs have very important meaning. **Be sure to read "7.2 CAUTIONS" and "7.3 ATTENTIONS"!**



This sign has the meaning that a customer will be injured or the product will sustain damage if the customer practices wrong operations.



This sign has the meaning that a customer will be injured if the customer practices wrong operations.

### 7.2 CAUTIONS



**\* Do not shock and press the LCD panel and the backlight! There is a danger of breaking, because they are made of glass. (Shock: Equal to or no greater than  $294\text{m/s}^2$  and equal to or no greater than 11ms, Pressure: Equal to or no greater than 19.6 N ( $\phi 16\text{mm}$  jig))**

### 7.3 ATTENTIONS

#### 7.3.1 Handling of the product

- ① Take hold of both ends without touching the circuit board when the product (LCD module) is picked up from inner packing box to avoid broken down or misadjustment, because of stress to mounting parts on the circuit board.
- ② When the product is put on the table temporarily, display surface must be placed downward.
- ③ When handling the product, take the measures of electrostatic discharge with such as earth band, ionic shower and so on, because the product may be damaged by electrostatic.
- ④ The torque for product mounting screws must never exceed 0.34N·m. Higher torque might result in distortion of the bezel. And the length of product mounting screws must be  $\leq 2.8\text{mm}$ .
- ⑤ The product must be installed using mounting holes without undue stress such as bends or twist (See outline drawings). And do not add undue stress to any portion (such as bezel flat area). Bends or twist described above and undue stress to any portion may cause display mura.
- ⑥ Do not press or rub on the sensitive product surface.
- ⑦ When cleaning the product surface, wipe it with a soft dry cloth.
- ⑧ Do not push or pull the interface connectors while the product is working.
- ⑨ When handling the product, use of an original protection sheet on the product surface (polarizer) is recommended for protection of product surface. Adhesive type protection sheet may change color or characteristics of the polarizer.
- ⑩ Usually liquid crystals don't leak through the breakage of glasses because of the surface tension of thin layer and the construction of LCD panel. But, if you contact with liquid crystal by any chance, please wash it away with soap and water.

### 7.3.2 Environment

- ① Do not operate or store in high temperature, high humidity, dewdrop atmosphere or corrosive gases. Keep the product in packing box with antistatic pouch in room temperature to avoid dusts and sunlight, when storing the product.
- ② In order to prevent dew condensation occurred by temperature difference, the product packing box must be opened after enough time being left under the environment of an unpacking room. Evaluate the storage time sufficiently because dew condensation is affected by the environmental temperature and humidity. (Recommended leaving time: 6 hours or more with the original packing state after a customer receives the package)
- ③ Do not operate in high magnetic field. If not, circuit boards may be broken.
- ④ This product is not designed as radiation hardened.

### 7.3.3 Characteristics

**The following items are neither defects nor failures.**

- ① Characteristics of the LCD (such as response time, luminance, color uniformity and so on) may be changed depending on ambient temperature. If the product is stored under condition of low temperature for a long time, it may cause display mura. In this case, the product should be operated after enough time being left under condition of operating temperature.
- ② Display mura, flickering, vertical streams or tiny spots may be observed depending on display patterns.
- ③ Do not display the fixed pattern for a long time because it may cause image sticking. Use a screen saver, if the fixed pattern is displayed on the screen.
- ④ The display color may be changed depending on viewing angle because of the use of condenser sheet in the backlight.
- ⑤ Optical characteristics may be changed depending on input signal timings.

### 7.3.4 Others

- ① All GND, VCC and VDD terminals should be used without any non-connected lines.
- ② Do not disassemble a product or adjust variable resistors.
- ③ See "REPLACEMENT MANUAL FOR LAMP HOLDER SET", when replacing lamp holder set.
- ④ Pack the product with the original shipping package, in order to avoid any damages during transportation, when returning the product to TMJ.
- ⑤ The information of China RoHS (II) six hazardous substances or elements in this product is as follows.



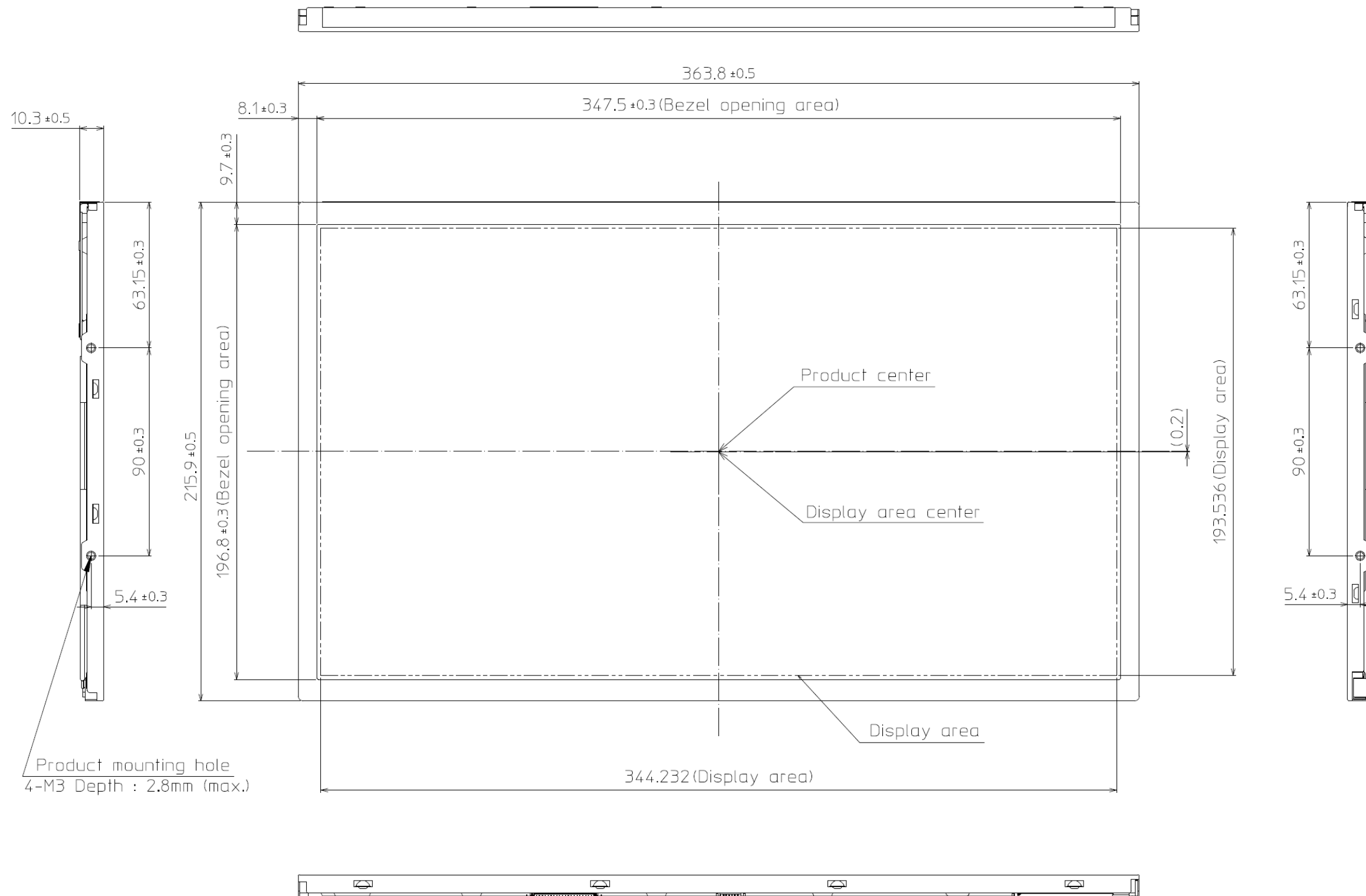
China RoHS (II) six hazardous substances or elements					
Lead (Pb)	Mercury (Hg)	Cadmium (Cd)	Hexavalent Chromium (Cr VI)	Polybrominated Biphenyls (PBB)	Polybrominated Biphenyl Ethers (PBDE)
×	○	○	○	○	○

Note1: ○: This indicates that the poisonous or harmful material in all the homogeneous materials for this part is equal or below the limitation level of GB/T26572-2011 standard regulation.

×: This indicates that the poisonous or harmful material in all the homogeneous materials for this part is above the limitation level of GB/T26572-2011 standard regulation.

8. OUTLINE DRAWINGS

8.1 FRONT VIEW

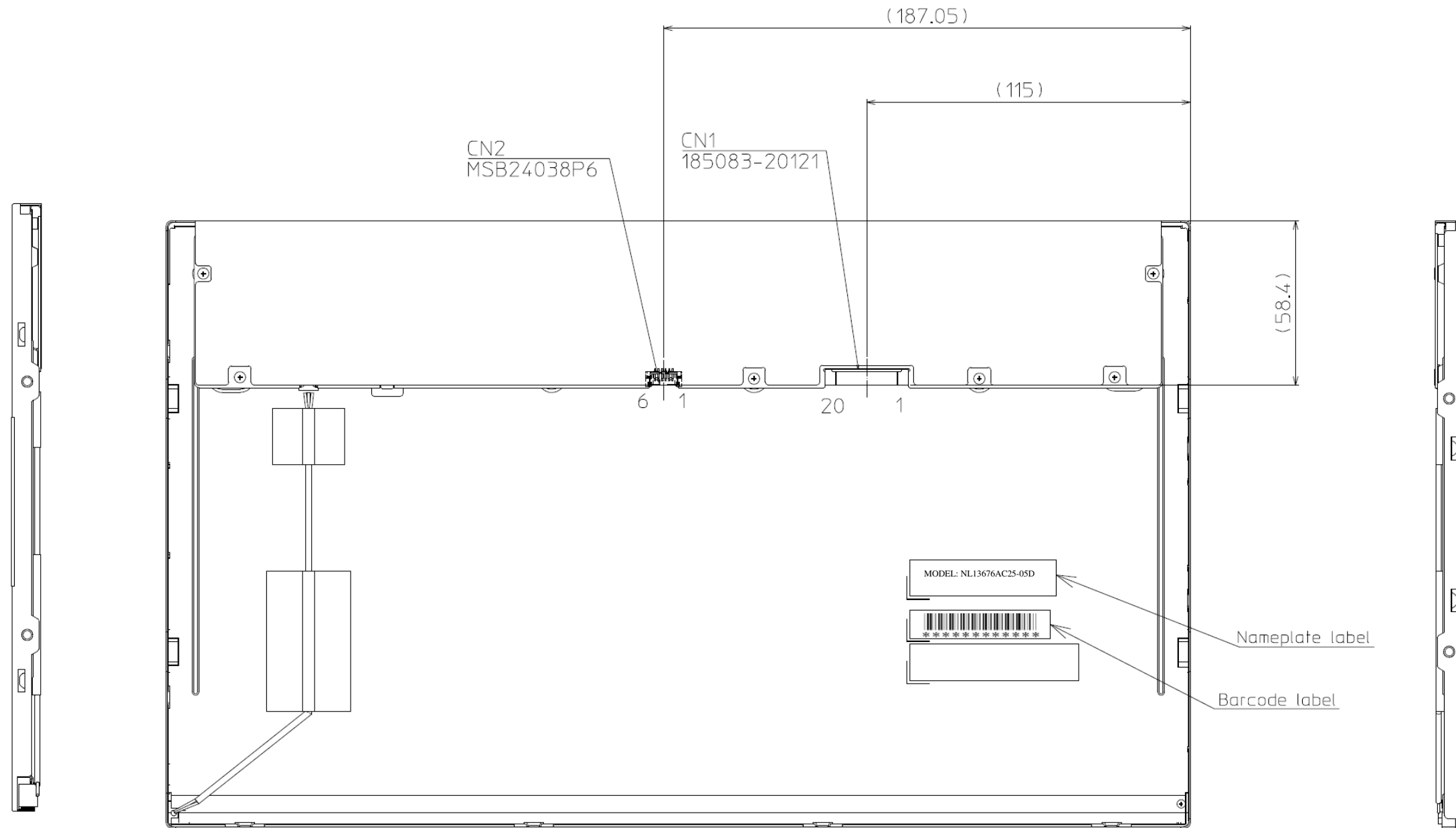


Note1: The values in parentheses are for reference.

Note2: The torque for product mounting screws must never exceed 0.34N·m. And the length of product mounting screws must be ≤ 2.8mm.

Unit: mm

8.2 REAR VIEW



Note1: The values in parentheses are for reference.

Unit: mm





ALL TECHNOLOGIES. ALL COMPETENCIES. ONE SPECIALIST.



DATA MODUL AG  
Landsberger Straße 322  
DE-80687 Munich  
Phone: +49-89-56017-0

DATA MODUL WEIKERSHEIM GMBH  
Lindenstraße 8  
DE-97990 Weikersheim  
Phone: +49-7934-101-0



More information and worldwide locations can be found at

[www.data-modul.com](http://www.data-modul.com)