

**TO : Customer**

**DATE : 2022.02.21**

**GREEN C&C TECH Co.,Ltd  
75, Saneop-ro 92beon-gil,  
Gwonseon-gu, Suwon-si, Gyeonggi-do  
KOREA 16643  
TEL : 82-31-373-3623~3625  
FAX : 82-31-373-3610**

# **DOCUMENTATION FOR APPROVAL**

**PRODUCT : LED BACKLIGHT DRIVER (ROHS)**

**MODEL NAME : GH943A(A2)**

**GCCT NAME : GCCT943AB**

<b>APPROVAL</b>	<b>CHECKED</b>	<b>WRITTEN</b>

**PLEASE RETURN ONE DOCUMENT AFTER APPROVED SIGN.**

GREEN C&C TECH	<b>LED DRIVER SPECIFICATION</b> <b>GH943A(A2)</b>	Publishing Date	2022.02.21
		Reforming Date	

NO	Date	REVISION	Page

REVISION HISTORY

REV.													
Page													
REV.	0	0	0	0	0								
Page	1	2	3	4	5								

GREEN C&C TECH	<b>LED DRIVER SPECIFICATION</b> <b>GH943A(A2)</b>	Publishing Date Reforming Date	2022.02.21
----------------	--	-----------------------------------	------------

## 1. APPLICATION

This Document Specified The Detailed Product Requirement of LED driver  
GH943A(A2)

## 2. SUITABLE LOAD

LCD MODULE : 4 Strings LED BLU TFT LCD

## 3. ELECTRICAL CHARATERISTICS

### 3.1. Absolute Maximum Ratings

Item	Symbol	Spec.	Unit	Remarks
Input Voltage 1	Vin	21.6~26.4	V	
Input Voltage 2	ON/OFF	5.25	V	
Operating Temperature	Top	0~60	℃	
Storage Temperature	Tstg	-30~80	℃	
Relative Humidity	RH	80	%	

### 3.2. Control Signal

PIN No.	Symbol	Status	Action	Remarks
CN1 #12	ON/OFF	HIGH	LED - ON	2.4 ~ 5.25V
		LOW	LED - OFF	0.8 V Max

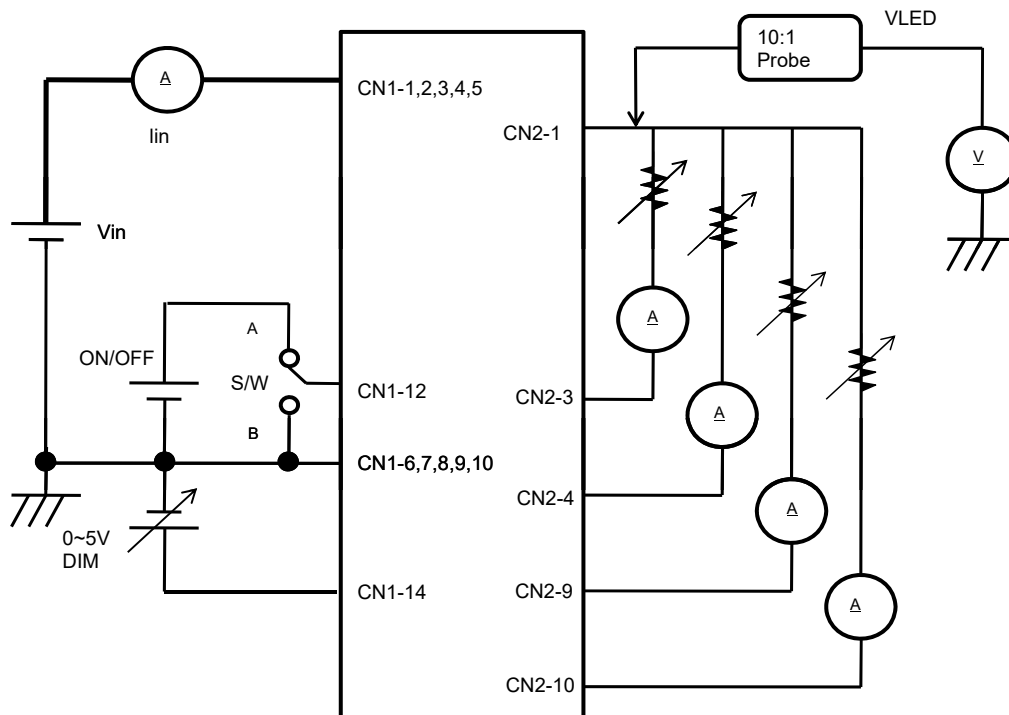
### 3.3. Output Characteristics

Item	Sym.	Condition	Min.	Typ.	Max.	Unit
Input Voltage	Vin	-	21.6	24.0	26.4	Vdc
Input Current	Iin	Vin=24V, Dim=0V	-	-	1.8	A
Output Current	Iout (Max)	Vin=24V, Dim=0V	110.0	120.0	130.0	mAmean
	Iout (Min)	Vin=24V, Dim=5V	15.0	20.0	25.0	
Backlight ON/OFF Control	ON	-	2.4	-	5.0	Vdc
	OFF	-	-0.3	-	0.8	

\* Output Voltage is greater than Input Voltage for at least 3V or more.

### 3.4. Test Circuit

-. S/W : A --> BLU ON  
B --> BLU OFF



GREEN C&C TECH	<b>LED DRIVER SPECIFICATION GH943A(A2)</b>	Publishing Date Reforming Date	2022.02.21
----------------	--	-----------------------------------	------------

#### 4. INTERFACE

##### 4.1. CN1 Connector (Input) : 20022WR-14 (YEONHO) or Equivalent

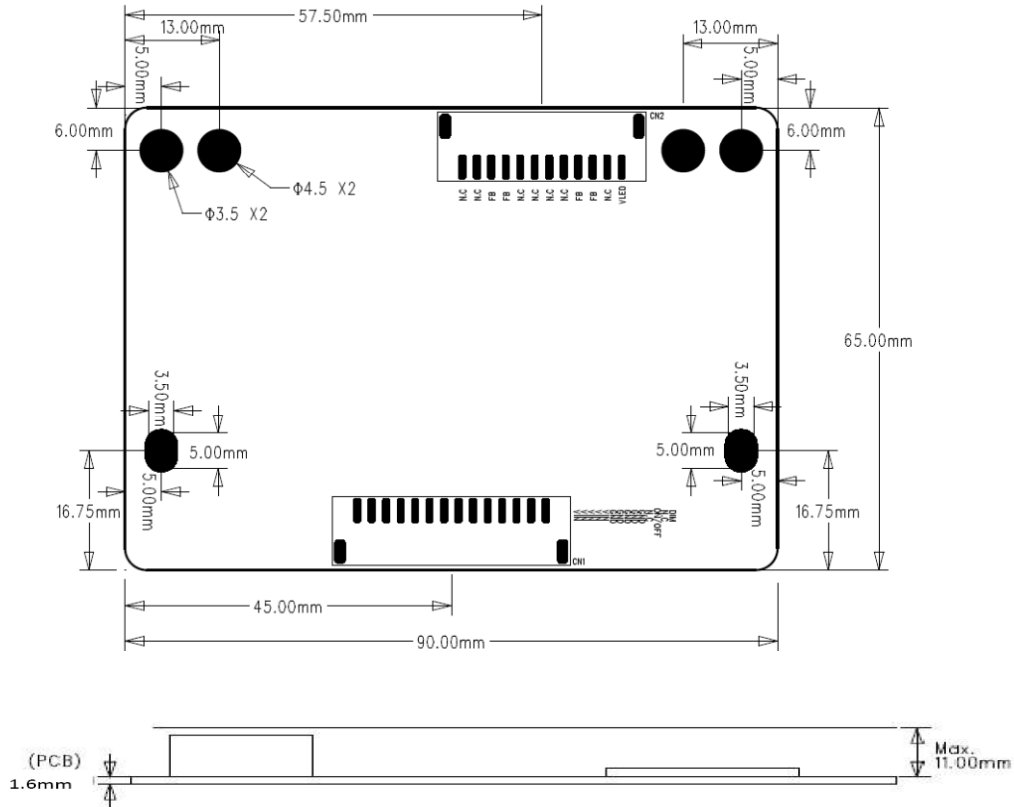
PIN No.	Symbol	Description
1,2,3,4,5	VIN	Voltage Input : 24V (typ)
6,7,8,9,10	GND	Ground
11,13	N.C	No Connection
12	ON/OFF	LED DRIVER ON/OFF Control
14	DIM	0V(MAX)~5V(MIN)

##### 4.2 CN2 Connector (OUTPUT) : 20022WR-12 (YEONHO) OR Equivalent

PIN No.	Symbol	Description
1	VLED	System Output
2,5,6,7,8,11,12	N.C	No Connection
3	FB	Feedback 1
4	FB	Feedback 2
9	FB	Feedback 3
10	FB	Feedback 4

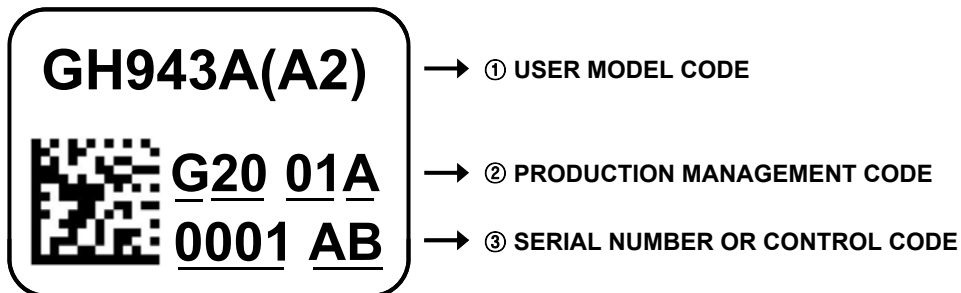
### 5. APPERANCE (Unit : mm)

(Tolerance : +0.8mm, -0.2mm)



### 6. NOTATION OF LOT NUMBER

MARKING:TOP



①	GH943A(A2)	: USER MODEL CODE
	G	: MANUFACTURER CODE (GREEN C&C TECH)
	20	: YEAR OF PRODUCT
②	20	: 20 → 2020 , 21 → 2021 , ... , 29 → 2029
	01	: WEEK OF PRODUCT 01,02,03,04,...52
	A	: PUBLICATION NUMBER A,B,C,...,Z,0,1,2,...,9
③	0001	: SERIAL NUMBER 0001,0002.....9998,9999
	AB	: GCCT CONTROL MODEL CODE