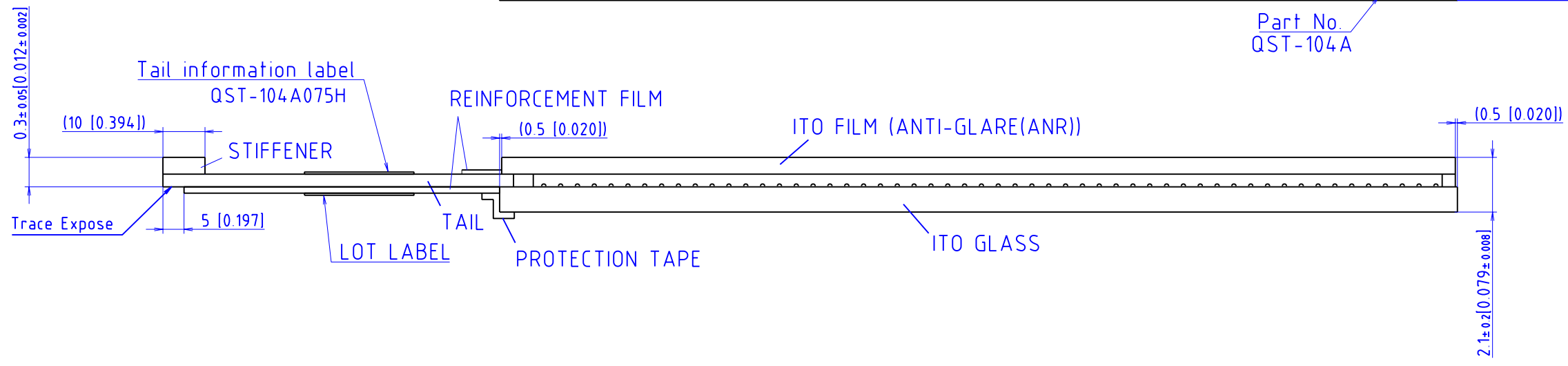
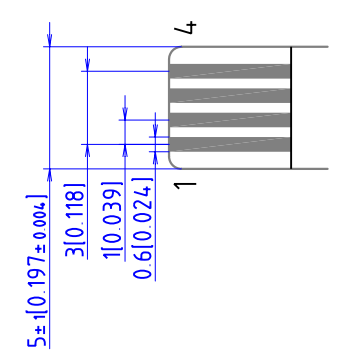


SECTION A



Part No.
QST-104A

TOLERANCE = ± 0.5mm(0.02in)
EXCEPT WHERE INDICATED
Unit: mm

PART No.	DATE
QST-104A075H	Mar , 26 , 2010
TYPE	DMC Co., Ltd.
STANDARD TOUCHSCREEN CIRCUIT DRAWING	