

AG Doc. Number :

- Tentative Specification  
 Preliminary Specification  
 Approval Specification

**MODEL NO.: R315DJJ**  
**SUFFIX: K31**

(ver.C5)

<b>Customer:</b>	
<b>APPROVED BY</b>	<b>SIGNATURE</b>
<u>Name / Title</u> _____	_____
Note	
<hr/> Please return 1 copy for your confirmation with your signature and comments.	

Approved By	Checked By	Prepared By
MATT.LC.CHEN (陳立錚/514-10956)	YUHSIANG.CHANG (張喻翔/514-10922)	MIA.WENG (翁玉珍/514-10928)

**CONTENTS**

<b>1. GENERAL DESCRIPTION .....</b>	<b>5</b>
1.1 OVERVIEW .....	5
1.2 GENERAL SPECIFICATIONS .....	5
<b>2. MECHANICAL SPECIFICATIONS .....</b>	<b>6</b>
<b>3. ABSOLUTE MAXIMUM RATINGS .....</b>	<b>6</b>
3.1 ABSOLUTE RATINGS OF ENVIRONMENT .....	6
3.2 ELECTRICAL ABSOLUTE RATINGS .....	7
3.2.1 TFT LCD MODULE .....	7
3.2.2 BACKLIGHT UNIT .....	7
<b>4. ELECTRICAL SPECIFICATIONS .....</b>	<b>7</b>
4.1 FUNCTION BLOCK DIAGRAM .....	7
4.2. INTERFACE CONNECTIONS .....	8
4.3 ELECTRICAL CHARACTERISTICS .....	10
4.3.1 LCD ELETRONICS SPECIFICATION .....	10
4.3.2. Vcc Power Dip Condition .....	12
4.3.3.BACKLIGHT UNIT .....	12
4.3.4 CONVERTER ELECTRICAL CHARACTERISTICS .....	13
4.3.5 CONVERTER INPUT CONNECTOR PIN ASSIGNMENT .....	16
4.4 V BY ONE INPUT SIGNAL SPECIFICATIONS .....	16
4.4.1 V BY ONE DATA MAPPING TABLE .....	16
4.4.2 COLOR DATA INPUT ASSIGNMENT .....	16
4.5 DISPLAY TIMING SPECIFICATIONS .....	18
4.6 V BY ONE INPUT SIGNAL TIMING DIAGRAM .....	20
4.7 BYTE LENGTH AND COLOR MAPPING OF V-BY-ONE HS .....	21
4.8 POWER ON/OFF SEQUENCE .....	22
<b>5. OPTICAL CHARACTERISTICS .....</b>	<b>24</b>
5.1 TEST CONDITIONS .....	24
5.2 OPTICAL SPECIFICATIONS .....	24
<b>6. RELIABILITY TEST ITEM .....</b>	<b>27</b>
<b>7. MECHANICAL STRENGTH CHARACTERISTICS .....</b>	<b>28</b>
7.1 MECHANICAL STRENGTH SPECIFICATIONS .....	28
7.2 TEST CONDITIONS .....	28
7.3 DEFINITION OF TEST POINTS .....	28
<b>8. PACKING .....</b>	<b>29</b>
8.1 PACKING SPECIFICATIONS .....	29

8.2 PACKING METHOD .....	29
8.3 PALLET .....	30
8.4 UN-PACKING METHOD .....	31
<b>9. INX MODULE LABEL .....</b>	<b>32</b>
<b>10. PRECAUTIONS .....</b>	<b>32</b>
10.1 ASSEMBLY AND HANDLING PRECAUTIONS .....	32
10.2 STORAGE PRECAUTIONS .....	33
<b>10.3 OPERATION PRECAUTIONS .....</b>	<b>34</b>
10.4 SAFETY PRECAUTIONS .....	34
10.5 SAFETY STANDARDS .....	34
10.6 OTHER .....	34
<b>Appendix 1. OUTLINE DRAWING .....</b>	<b>35</b>

## REVISION HISTORY

Version	Date	Page	Description
2.0	May 11 , 2016	All	Spec. Ver.2.0 was first issued.
2.1	Jul 27 , 2016	5	1.2 Modify Surface Treatment
		6	3.1 Modify Note (2) VCC
		16	4.3.5 Modify connector type : FCN JH2-D4-143N
		27	6. Modify Temperature Humidity Bias (THB) Ta= 40°C
2.2	Dec 13 , 2016	41	Changed module label location.
2.3	Jan 11 , 2017	5	1.2 Modify Power Consumption
		10	4.3.1 Modify Power Consumption & Power Supply Current
2.4	Dec.15,2020	1	Homepage increase production version.
		34	10.5 Safety standards update to 62368-1
2.4	Nov.25,2021	5	1.2 GENERAL SPECIFICATIONS / Color Gamut update
		24	5.2 OPTICAL SPECIFICATIONS / Color Chromaticity update

## 1. GENERAL DESCRIPTION

### 1.1 OVERVIEW

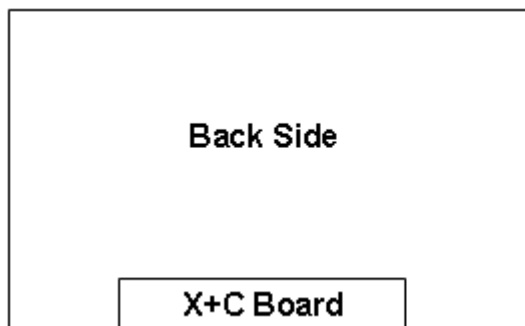
R315DJJ-K31 is a 31.5" TFT Liquid Crystal Display medical module with WLED Backlight unit and 51 pins 8 lane – V by 1 interface. This module supports 3840 x 2160 UHD(Ultra High Definition) mode and can display up to 1.073G colors. The LCD module includes built-in converter for Backlight.

### 1.2 GENERAL SPECIFICATIONS

Item	Specification	Unit	Note
Screen Size	31.5" real diagonal	mm	
Driver Element	a-si TFT active matrix	-	-
Pixel Number	3840 x R.G.B. x 2160	pixel	-
Pixel Pitch	0.181 (H) x 0.181 (V)	mm	-
Pixel Arrangement	RGB vertical stripe	-	-
Display Colors	1.073G	color	-
Transmissive Mode	Normally Black	-	-
Surface Treatment	AG type, 2H hard coating, Haze 41	-	-
Color Gamut	93% of NTSC(Typ.)	-	-
RoHS, Halogen Free & TCO 6.0	RoHS, Halogen Free TCO 6.0 compliance		
Luminance, White	650	Cd/m2	
Power Consumption	Total (110) W(Typ.) @ cell 17.4 W(Typ.), BL(92.6) W(Typ.)		(1)

Note (1) The specified power consumption : Total= cell (reference 4.3.1)+BL (reference 4.3.3)

Note (2)



## 2. MECHANICAL SPECIFICATIONS

Item		Min.	Typ.	Max.	Unit	Note
Module Size	Horizontal (H)	716.9	717.4	717.9	mm	(1)
	Vertical (V)	413.35	413.85	414.35	mm	
	Thickness (T)	18.1	18.7	19.3	mm	
Bezel Area	Horizontal	702.9	703.4	703.9	mm	
	Vertical	397.35	397.85	398.35	mm	
Active Area	Horizontal	-	698.4	-	mm	
	Vertical	-	392.85	-	mm	
Weight		4180	4400	4620	g	

Note (1) Please refer to the attached drawings for more information of front and back outline dimensions.

## 3. ABSOLUTE MAXIMUM RATINGS

### 3.1 ABSOLUTE RATINGS OF ENVIRONMENT

Item	Symbol	Value		Unit	Note
		Min.	Max.		
Storage Temperature	TST	-20	60	°C	(1)
Operating Ambient Temperature	TOP	0	45	°C	(1), (2)

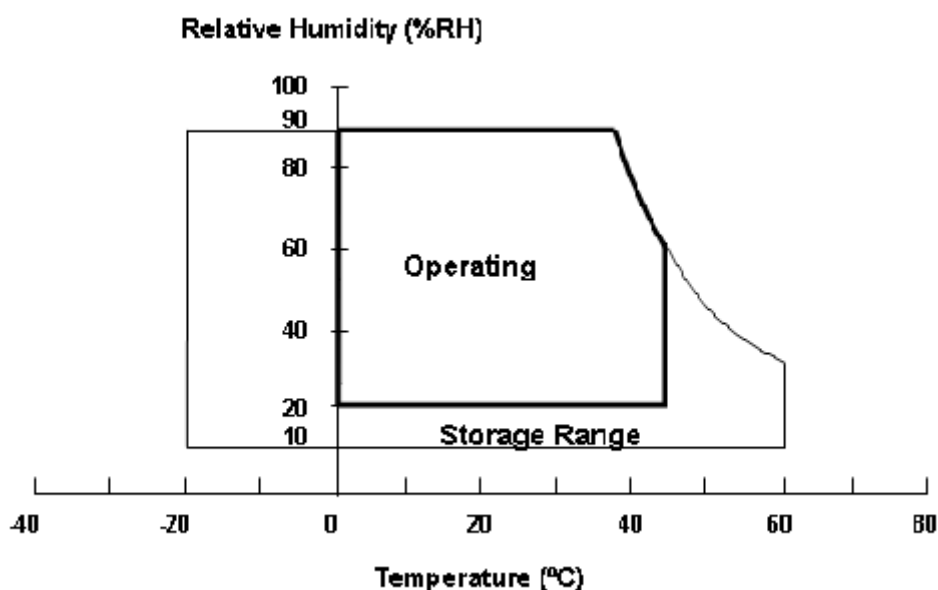
Note (1)

(a) 90 %RH Max..

(b) Wet-bulb temperature should be 39 °C Max.

(c) No condensation.

Note (2) Panel surface temperature should be 0°C min. and 65°C max under Vcc=12V, fr =60Hz, typical LED string current, 25°C ambient temperature, and no humidity control . Any condition of ambient operating temperature ,the surface of active area should be keeping not higher than 65°C.



### 3.2 ELECTRICAL ABSOLUTE RATINGS

#### 3.2.1 TFT LCD MODULE

Item	Symbol	Value		Unit	Note
		Min.	Max.		
Power Supply Voltage	VCCS	-0.3	13.5	V	(1)
Logic Input Voltage	VIN	-0.3	3.6	V	

#### 3.2.2 BACKLIGHT UNIT

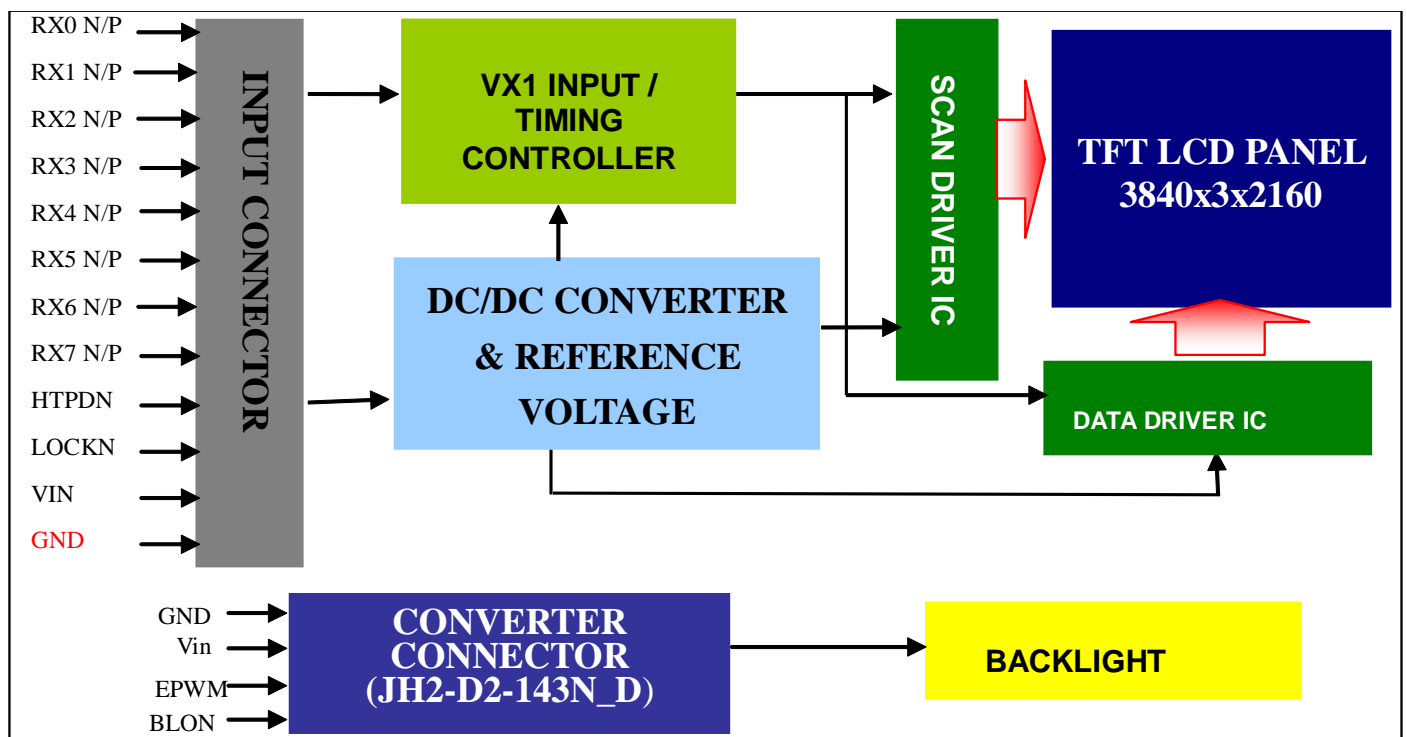
Item	Symbol	Value			Unit	Note
		Min.	Typ	Max.		
LED Forward Current Per Input Pin	IF	150	160	170	mA	(1), (2) Duty=100%

Note (1) Permanent damage to the device may occur if maximum values are exceeded. Function operation should be restricted to the conditions described under Normal Operating Conditions.

Note (2) Specified values are for input pin of LED light bar at  $T_a=25\pm 2\text{ }^\circ\text{C}$  (Refer to 4.3.3 and 4.3.4 for further information).

## 4. ELECTRICAL SPECIFICATIONS

### 4.1 FUNCTION BLOCK DIAGRAM



## 4.2. INTERFACE CONNECTIONS

### PIN ASSIGNMENT

Pin	Name	Description	Note
1	Vin	Power input (+12V)	
2	Vin	Power input (+12V)	
3	Vin	Power input (+12V)	
4	Vin	Power input (+12V)	
5	Vin	Power input (+12V)	
6	Vin	Power input (+12V)	
7	Vin	Power input (+12V)	
8	Vin	Power input (+12V)	
9	N.C.	No Connection	(2)
10	GND	Ground	
11	GND	Ground	
12	GND	Ground	
13	GND	Ground	
14	GND	Ground	
15	N.C.	No Connection	(2)
16	N.C.	No Connection	(2)
17	N.C.	No Connection	(2)
18	N.C	For internal use, no connection	(2)
19	N.C	For internal use, no connection	(2)
20	N.C.	No Connection	(2)
21	N.C.	No Connection	(2)
22	N.C.	No Connection	(2)
23	N.C.	No Connection	(2)
24	N.C.	No Connection	(2)
25	HTPDN	Hot plug detect output, Open drain.	
26	LOCKN	Lock detect output, Open drain.	
27	GND	Ground	
28	RX0N	1 <sup>st</sup> Pixel Negative VbyOne differential data input in area A. Lan 0	(1)
29	RX0P	1 <sup>st</sup> Pixel Positive VbyOne differential data input in area A. Lan 0	
30	GND	Ground	
31	RX1N	2 <sup>nd</sup> Pixel Negative VbyOne differential data input in area A. Lan 1	(1)
32	RX1P	2 <sup>nd</sup> Pixel Positive VbyOne differential data input in area A. Lan 1	
33	GND	Ground	
34	RX2N	3 <sup>rd</sup> Pixel Negative VbyOne differential data input in area A. Lan 2	(1)
35	RX2P	3 <sup>rd</sup> Pixel Positive VbyOne differential data input in area A. Lan 2	
36	GND	Ground	
37	RX3N	4 <sup>th</sup> Pixel Negative VbyOne differential data input in area A. Lan 3	(1)
38	RX3P	4 <sup>th</sup> Pixel Positive VbyOne differential data input in area A. Lan 3	
39	GND	Ground	
40	RX4N	5 <sup>th</sup> Pixel Negative VbyOne differential data input in area A. Lan 4	(1)
41	RX4P	5 <sup>th</sup> Pixel Positive VbyOne differential data input in area A. Lan 4	
42	GND	Ground	
43	RX5N	6 <sup>th</sup> Pixel Negative VbyOne differential data input in area A. Lan 5	(1)
44	RX5P	6 <sup>th</sup> Pixel Positive VbyOne differential data input in area A. Lan 5	
45	GND	Ground	
46	RX6N	7 <sup>th</sup> Pixel Negative VbyOne differential data input in area A. Lan 6	(1)
47	RX6P	7 <sup>th</sup> Pixel Positive VbyOne differential data input in area A. Lan 6	
48	GND	Ground	



Pin	Name	Description	Note
49	RX7N	8 <sup>th</sup> Pixel Negative VbyOne differential data input in area A. Lan 7	(1)
50	RX7P	8 <sup>th</sup> Pixel Positive VbyOne differential data input in area A. Lan 7	
51	GND	Ground	

Connector Information

Item	Description
Manufacturer	FCN/ P-TWO
Type part number	FCN: WF23-402-5133 P-TWO: 187059-51221
User's Mating housing part number	JAE: FI-RE51HL

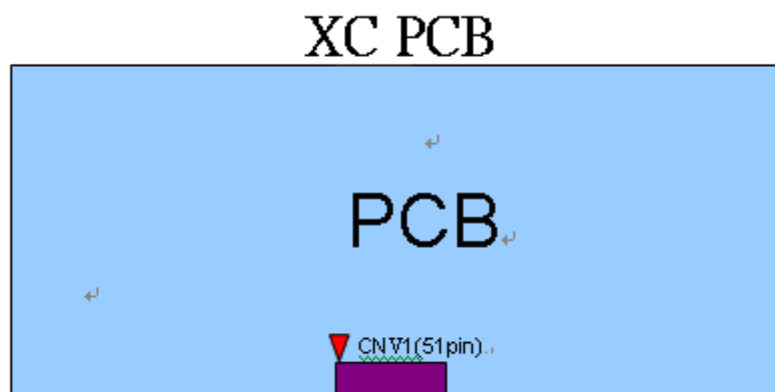
\*Notice: There would be compatible issues if not using the indicated connectors in the matching list.

Note (1) V-by-One<sup>®</sup> HS Data Mapping

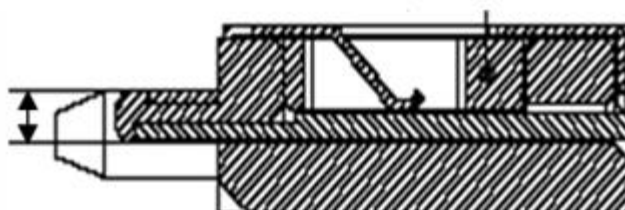
Lan	Data Stream
Lan 0	1, 9, 17, ....., 3825, 3833
Lan 1	2, 10, 18, ....., 3826, 3834
Lan 2	3, 11, 19, ....., 3827, 3835
Lan 3	4, 12, 20, ....., 3828, 3836
Lan 4	5, 13, 21, ....., 3829, 3837
Lan 5	6, 14, 22, ....., 3830, 3838
Lan 6	7, 15, 23, ....., 3831, 3839
Lan 7	8, 16, 24, ....., 3832, 3840

Note (2) Reserved for internal use. Please leave it open.

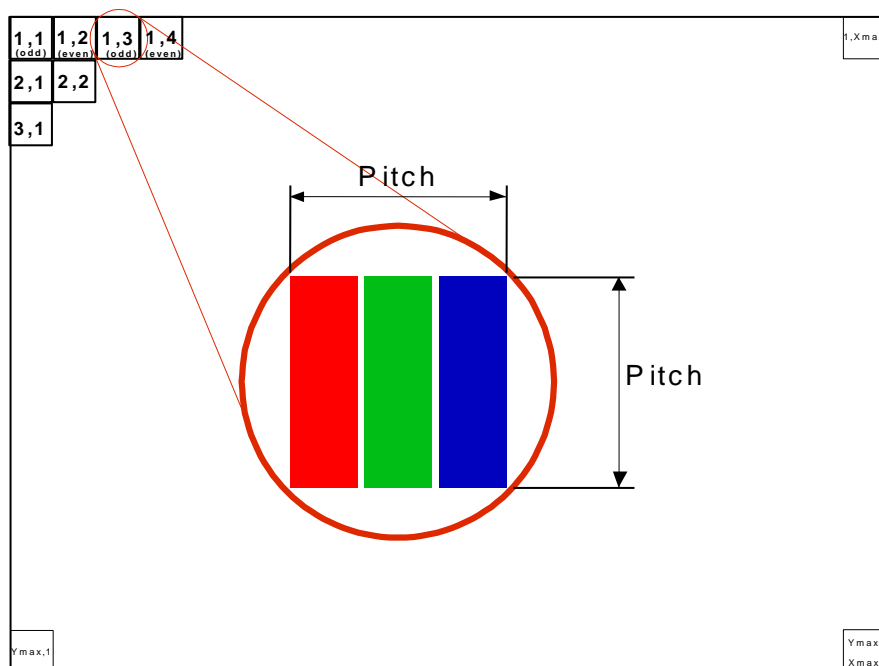
Note (3) V-by-One<sup>®</sup> HS connector pin order defined as following:



Note (4) V-by-One connector mating dimension range request is 0.93mm~1.0mm as below:



Note (5) Pixel should be arranged as the picture.



### 4.3 ELECTRICAL CHARACTERISTICS

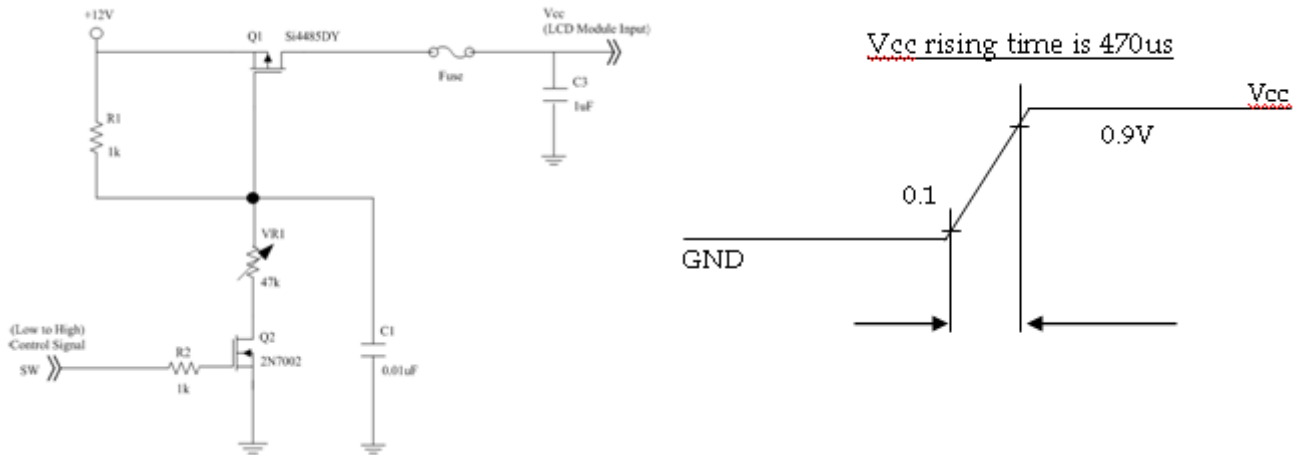
#### 4.3.1 LCD ELETRONICS SPECIFICATION

( $T_a = 25 \pm 2 \text{ }^\circ\text{C}$ )

Parameter	Symbol	Value			Unit	Note	
		Min.	Typ.	Max.			
Power Supply Voltage	$V_{CC}$	10.8	12	13.2	V	(1)	
Rush Current	$I_{RUSH}$	—	—	2.6	A	(2)	
Power Consumption	White Pattern	$P_T$	—	17.4	19.8	W	(3)
	Black Pattern	$P_T$	—	9.96	12.24	W	
	Horizontal Stripe	$P_T$	—	16.8	19.2	W	
Power Supply Current	White Pattern	—	—	1.45	1.65	A	(3)
	Black Pattern	—	—	0.83	1.02	A	
	Horizontal Stripe	—	—	1.4	1.6	A	
V-by-One HS	Differential Input High Threshold Voltage	$VLVTH$	—	—	+50	mV	
	Differential Input Low Threshold Voltage	$VLVTL$	-50	—	—	mV	
	Differential Input Resistor	$RRIN$	80	100	120	ohm	
CMOS interface	Input High Threshold Voltage	$VIH$	2.7	—	3.3	V	
	Input Low Threshold Voltage	$VIL$	0	—	0.7	V	

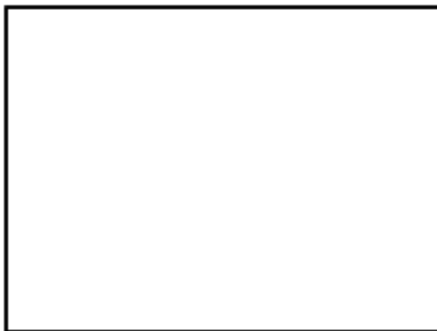
Note (1) The module should be always operated within the above ranges. The ripple voltage should be controlled under 10 % of Vcc (Typ.)

Note (2) Measurement Conditions



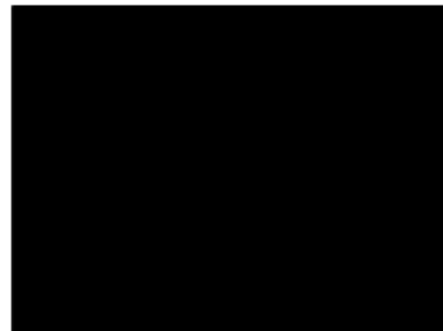
Note (3) The specified power supply current is under the conditions at Vcc = 12 V, Ta = 25 ± 2 °C, Fr = 60Hz, whereas a power dissipation check pattern below is displayed.

a. White Pattern



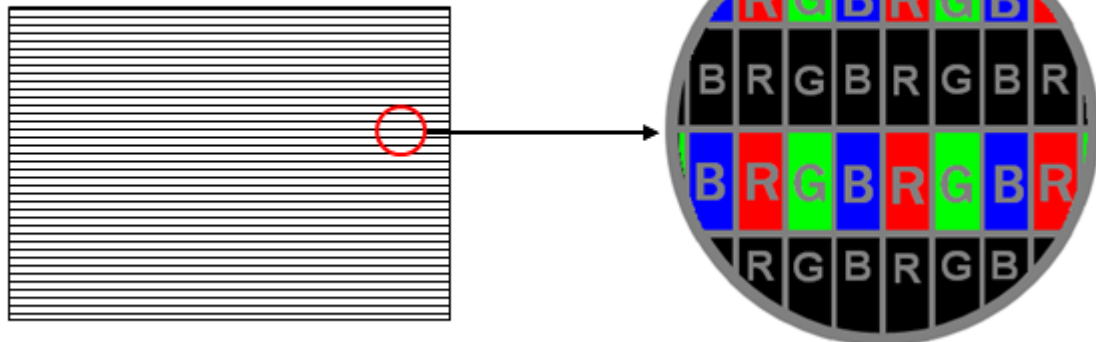
Active Area

b. Black Pattern

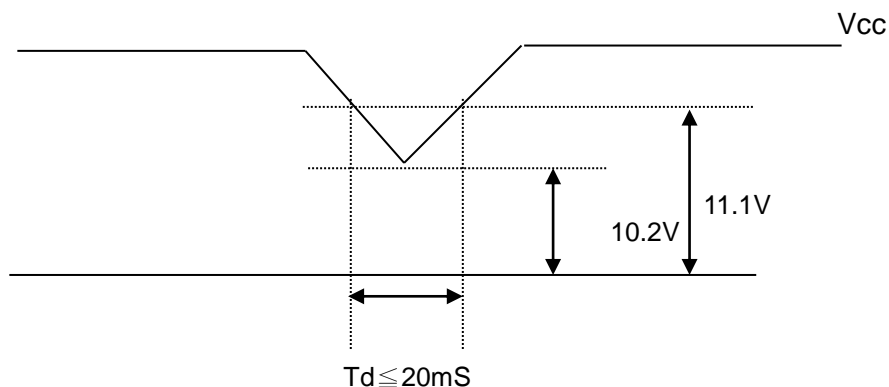


Active Area

c. Horizontal Pattern



### 4.3.2. Vcc Power Dip Condition



### 4.3.3. BACKLIGHT UNIT

Parameter	Symbol	Value			Unit	Note
		Min.	Typ.	Max.		
LED Light Bar Input Voltage Per Input Pin	VPIN	33.6	37.2	39.6	V	(1), Duty=100%, IPIN=160mA
LED Light Bar Current Per Input Pin	IPIN	150	160	170	mA	(1), (2) Duty=100%
LED Life Time	LLED	40000			Hrs	(3)
Power Consumption	PBL	-	83.33	94.25	W	(1) Duty=100%, IPIN=160mA

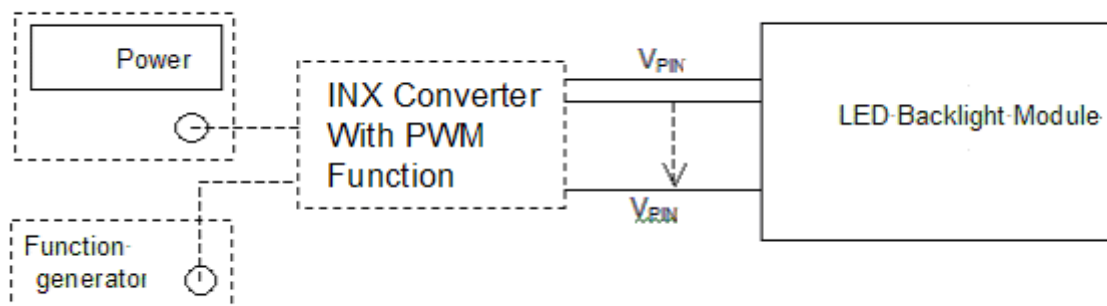
Note (1) LED light bar input voltage and current are measured by utilizing a true RMS multimeter as shown below:

Note (2)  $PBL = IPIN \times VPIN \times (14)$  input pins.

Note (3) The lifetime of LED is estimated data and defined as the time when LED packages continue to operate under the conditions at  $T_a = 25 \pm 2 \text{ }^\circ\text{C}$  and  $I = 160 \text{ mA}$  (per chip) until the brightness becomes  $\leq 50\%$  of its original value. Operating LED under high temperature environment will reduce life time and lead to color shift.

Note (4) The module must be operated with constant driving current.

Note (5) If converter has PWM function, the PWM Frequency setting must be equal to 200Hz.



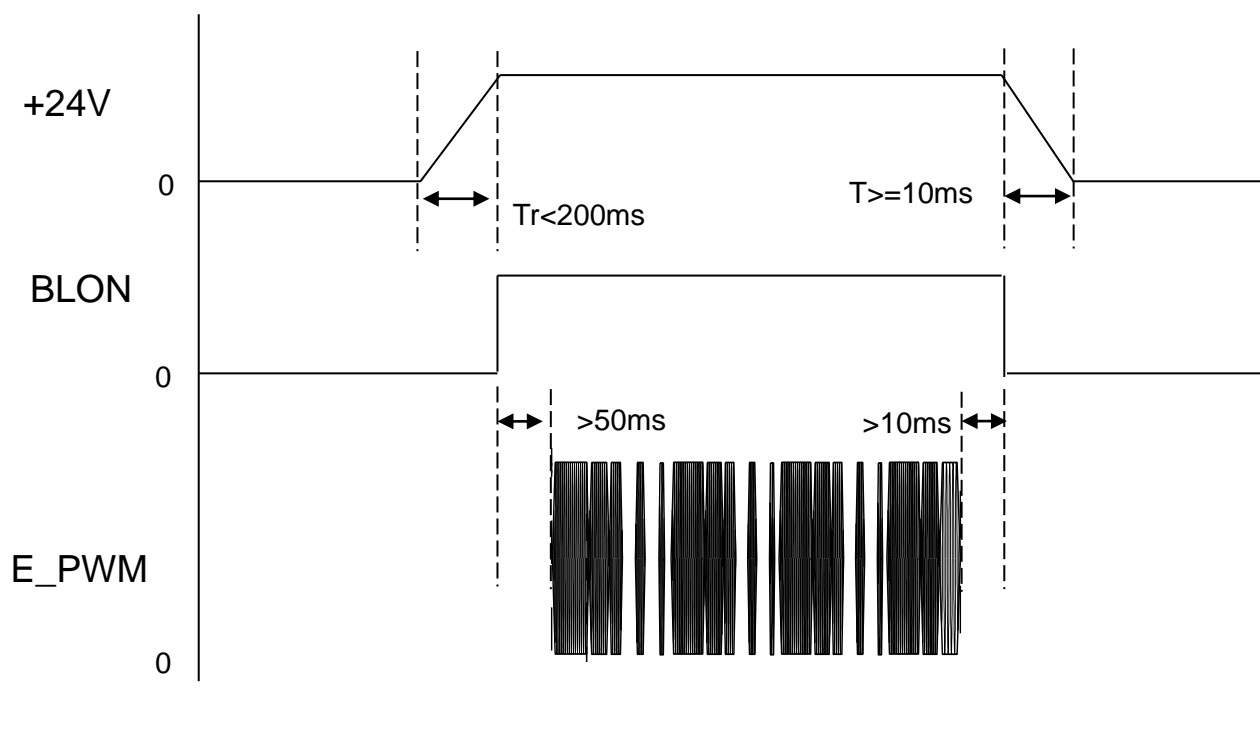
#### 4.3.4 CONVERTER ELECTRICAL CHARACTERISTICS

Ta = 25 ± 2 °C

Parameter	Symbol	Value			Unit	Note	
		Min.	Typ.	Max.			
Converter Power Supply Voltage	V <sub>i</sub>	21.6	24.0	26.4	V	(Duty 100%)	
Converter Power Supply Current	I <sub>i</sub>	---	3.86	4.36	A	@ V <sub>i</sub> = 24V (Duty 100%)	
Input Power Consumption	P <sub>o</sub>	---	92.6	104.7	W	@ V <sub>i</sub> = 24V (Duty 100%)	
BL Control Level	Backlight on	BLON	2	3.3	5.0	V	
	Backlight off		0	0	0.8	V	
SEL Control Level	SEL High Level	SEL	2.0	3.3	5.0	V	DC_Dimmi ng
	SEL Low Level		0	0	0.8	V	PWM Dimming
PWM Control Level	PWM High Level	E_PWM	2.0	3.3	5.0	V	Positive Dimming
	PWM Low Level		0	0	0.8	V	
DC Control Level	High Level	DC_Dim ming			0	V	Negative dimming
	Low Level		3			V	
PWM Control Duty Ratio			1	---	100	%	f <sub>PWM</sub> =200Hz
PWM Control Frequency	f <sub>PWM</sub>		100	200	20K	Hz	(1)

Note (1) The minimum PWM control duty ratio will be 20% when PWM control frequency is operated in 20KHz.

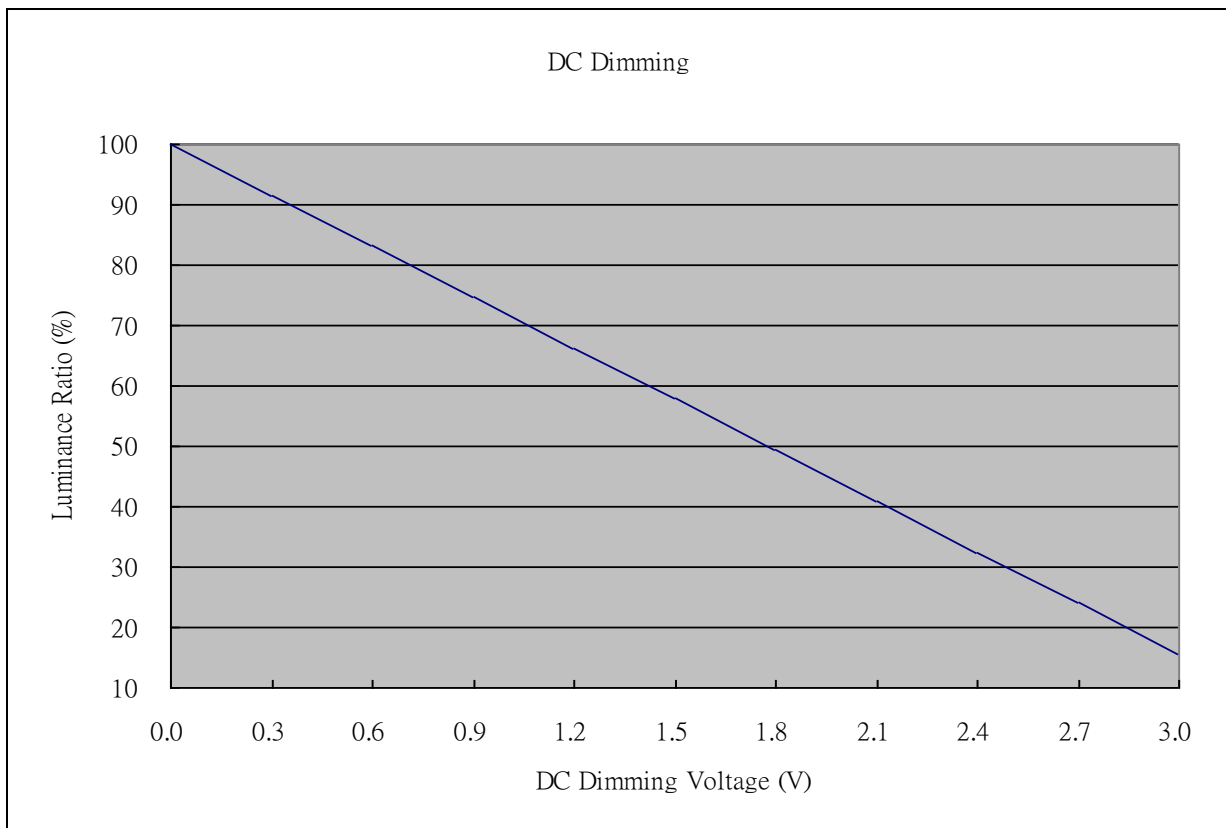
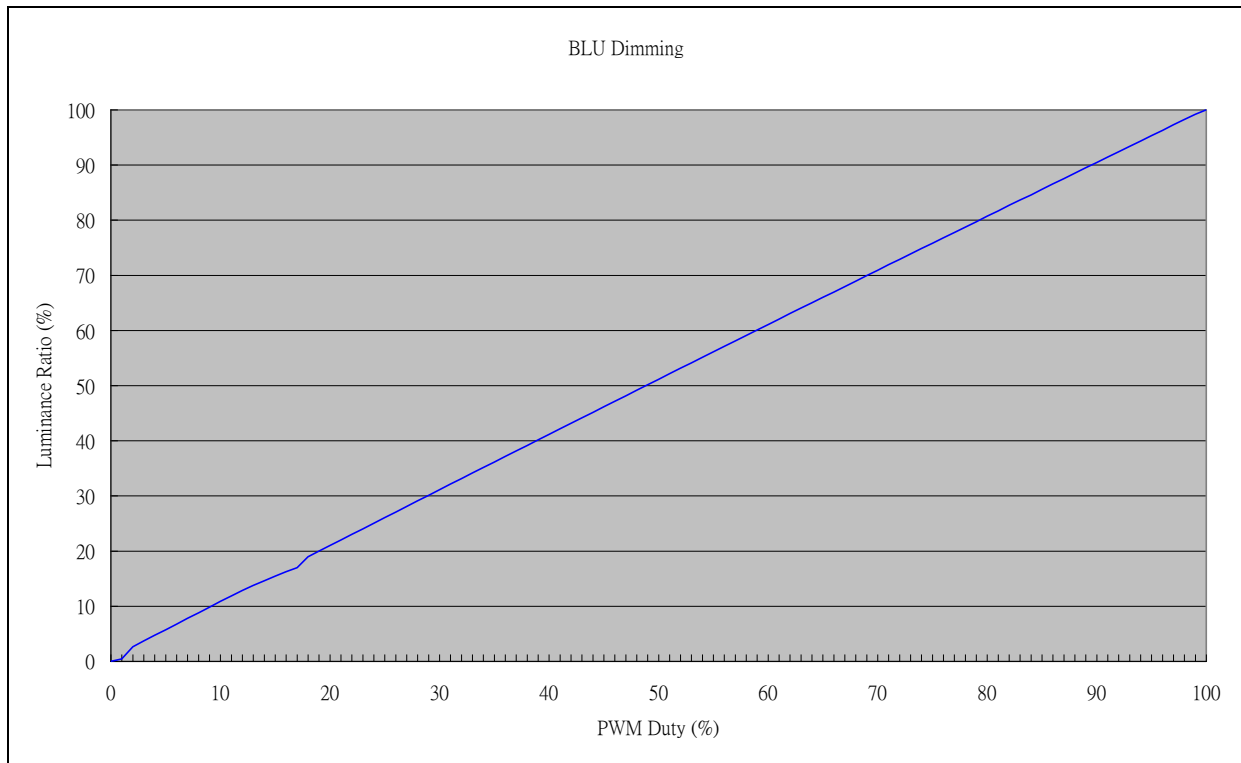
Power sequence and control signal timing are shown in the following figure



Note : While system is turned ON or OFF, the power sequences must follow as below descriptions

- Turn ON sequence:  $V_i(+24\text{V}) \rightarrow \text{BLON} \rightarrow \text{E\_PWM signal}$
- Turn OFF sequence:  $\text{E\_PWM signal} \rightarrow \text{BLON} \rightarrow V_i(+24\text{V})$
- The definition of  $T_r$  : the time period of  $10\% \cdot V_i$  to  $90\% \cdot V_i$
- The definition of  $T_f$  : the time period of  $90\% \cdot V_i$  to  $10\% \cdot V_i$

The following chart is the BLU Dimming for your reference.



## 4.3.5 CONVERTER INPUT CONNECTOR PIN ASSIGNMENT

Connector: FCN JH2-D4-143N or equivalent

Pin No	Signal name	Feature
1	VBL	+24 V
2		
3		
4		
5		
6	GND	GND
7		
8		
9		
10		
11	DC_Dimming	DC Dimming (Hi: 3V <sub>DC</sub> , Lo: 0V <sub>DC</sub> )
12	BLON	BL ON/OFF (ON:3.3V, OFF:0V)
13	SEL	DC_Dimming : Hi 3.3V; PWM_Dimming : Lo 0V
14	E_PWM	External PWM Control (Hi Level: 3.3V, Lo Level: 0V)

## 4.4 V BY ONE INPUT SIGNAL SPECIFICATIONS

### 4.4.1 V BY ONE DATA MAPPING TABLE

Lan	Data Stream
Lan 0	1, 9, 17, ....., 3825, 3833
Lan 1	2, 10, 18, ....., 3826, 3834
Lan 2	3, 11, 19, ....., 3827, 3835
Lan 3	4, 12, 20, ....., 3828, 3836
Lan 4	5, 13, 21, ....., 3829, 3837
Lan 5	6, 14, 22, ....., 3830, 3838
Lan 6	7, 15, 23, ....., 3831, 3839
Lan 7	8, 16, 24, ....., 3832, 3840

### 4.4.2 COLOR DATA INPUT ASSIGNMENT

The brightness of each primary color (red, green and blue) is based on the 10-bit gray scale data input for the color. The higher the binary input, the brighter the color. The table below provides the assignment of color versus data input.

Color	Data Signal																													
	Red										Green										BLUE									
	R9	R8	G7	G6	R5	R4	R3	R2	R1	R0	G9	G8	G7	G6	G5	G4	G3	G2	G1	G0	B9	B8	B7	B6	B5	B4	B3	B2	B1	B0
Basic	Black	0	0	0	0	0	0	0	0	0	0	0	0	0	0	0	0	0	0	0	0	0	0	0	0	0	0	0	0	0





**4.5 DISPLAY TIMING SPECIFICATIONS**

The input signal timing specifications are shown as the following table and timing diagram.

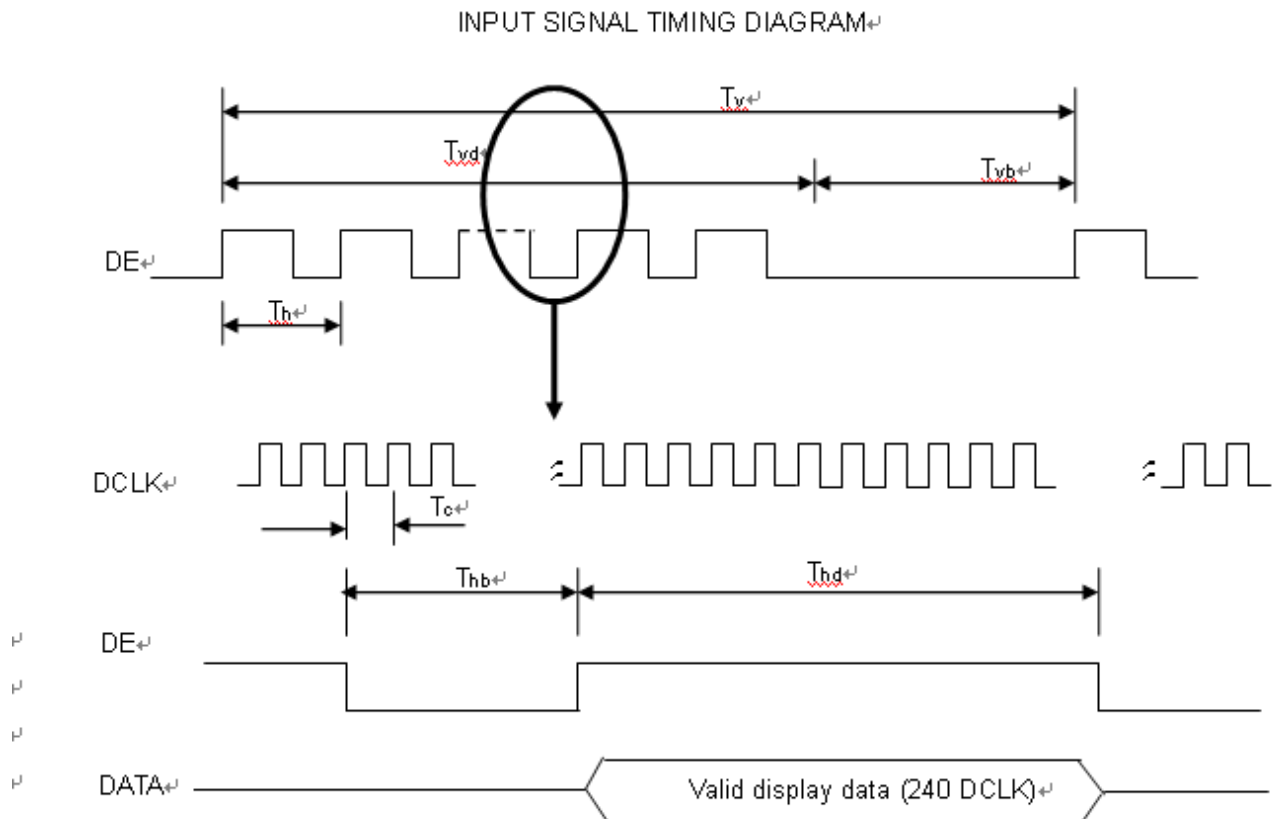
Signal	Item	Symbol	Min.	Typ.	Max.	Unit	Note
V by One	Frequency	Fc	70	74.25	80	MHz	(1)
	Intra-Pair skew		-0.3	-	0.3	UI	(2)
	Inter-Pair skew		-5	-	5	UI	(3)
	Spread spectrum modulation range	Fclkin_mod	Fclkin-0.5%	-	Fclkin+0.5%	MHz	(4)
	Spread spectrum modulation frequency	FSSM	-	-	30	KHz	
Vertical Display Term	Frame Rate	Fr	48	60	62.5	Hz	(5)(6)
	Total	Tv	2200	2250	2790	Th	Tv=Tvd+Tvb
	Active Display	Tvd	2160	2160	2160	Th	-
	Blank	Tvb	40	90	630	Th	-
Horizontal Display Term	Total	Th	530	550	570	Tc	Th=Thd+Thb
	Active Display	Thd	480	480	480	Tc	-
	Blank	Thb	50	70	90	Tc	-

Note (1) Please make sure the range of pixel clock has follow the below equation:

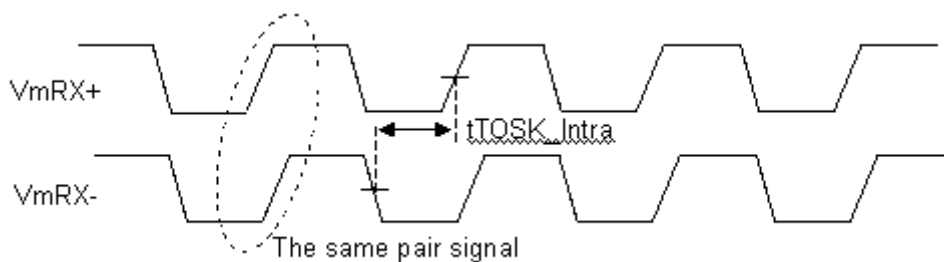
$$F_{clkin(max)} \geq Fr \times Tv \times Th$$

$$Fr \times Tv \times Th \geq F_{clkin(min)}$$

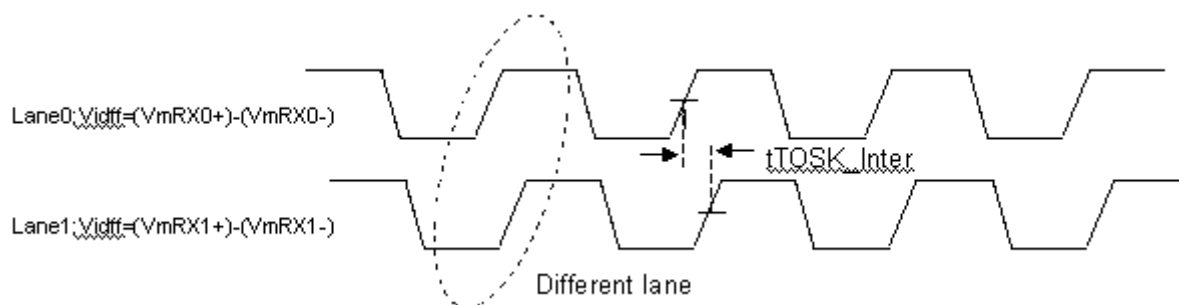
**INPUT SIGNAL TIMING DIAGRAM**



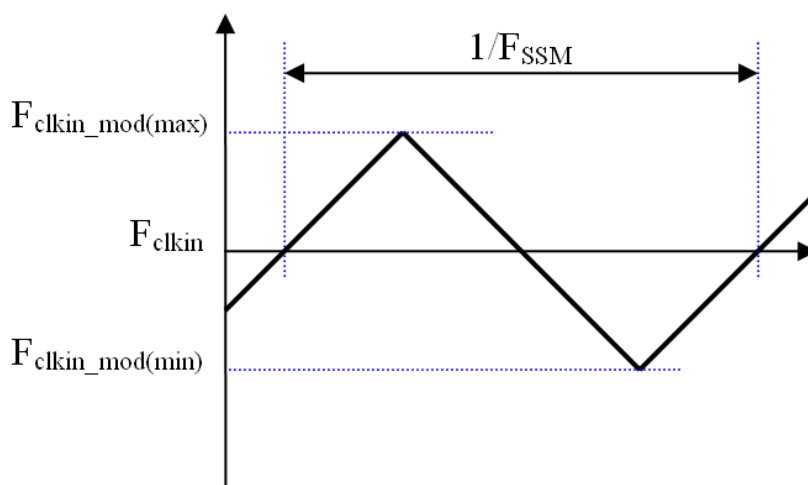
Note (2) V-by-One HS Intra-pair skew



Note (3) V-by-One HS Inter-pair skew

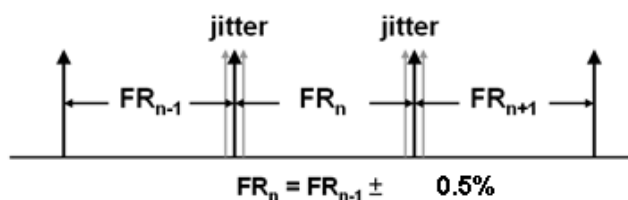


Note (4) The SSCG (Spread spectrum clock generator) is defined as below figures.



Note (5) The frame-to-frame jitter of the input frame rate is defined as the above figures.  $FR_n = FR_{n-1} \pm 0.5\%$ .

Note (6) The setup of the frame rate jitter > 0.5% may result in the cosmetic LED backlight symptom and the electric function is affected.



4.6 V BY ONE INPUT SIGNAL TIMING DIAGRAM

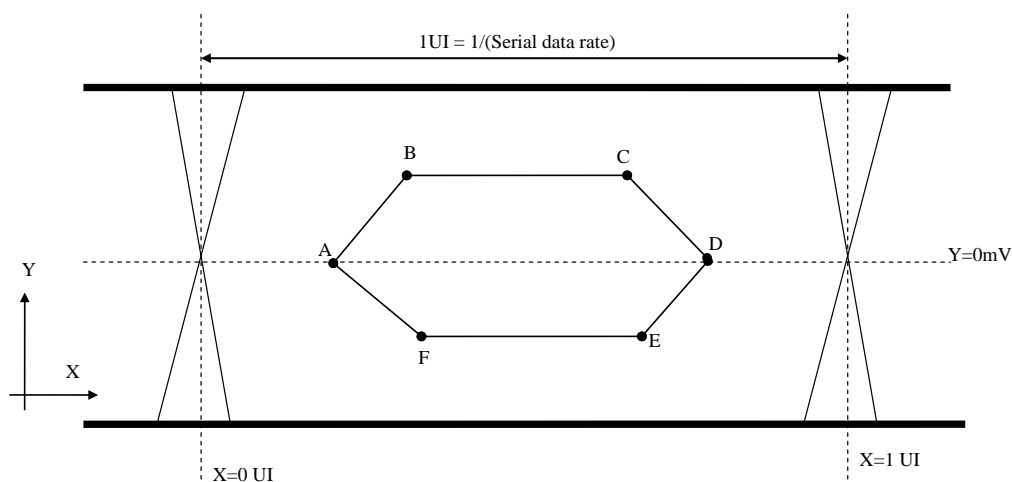


Table 1 Eye Mask Specification

	X [UI]	Y [mV]	Note
A	0.25	0	(1)
B	0.3	50	(1)
C	0.7	50	(1)
D	0.75	0	(1)
E	0.7	-50	(1)
F	0.3	-50	(1)

Note (1) Input levels of V-by-One HS signals are comes from “V-by-One HS Stander Ver.1.4”

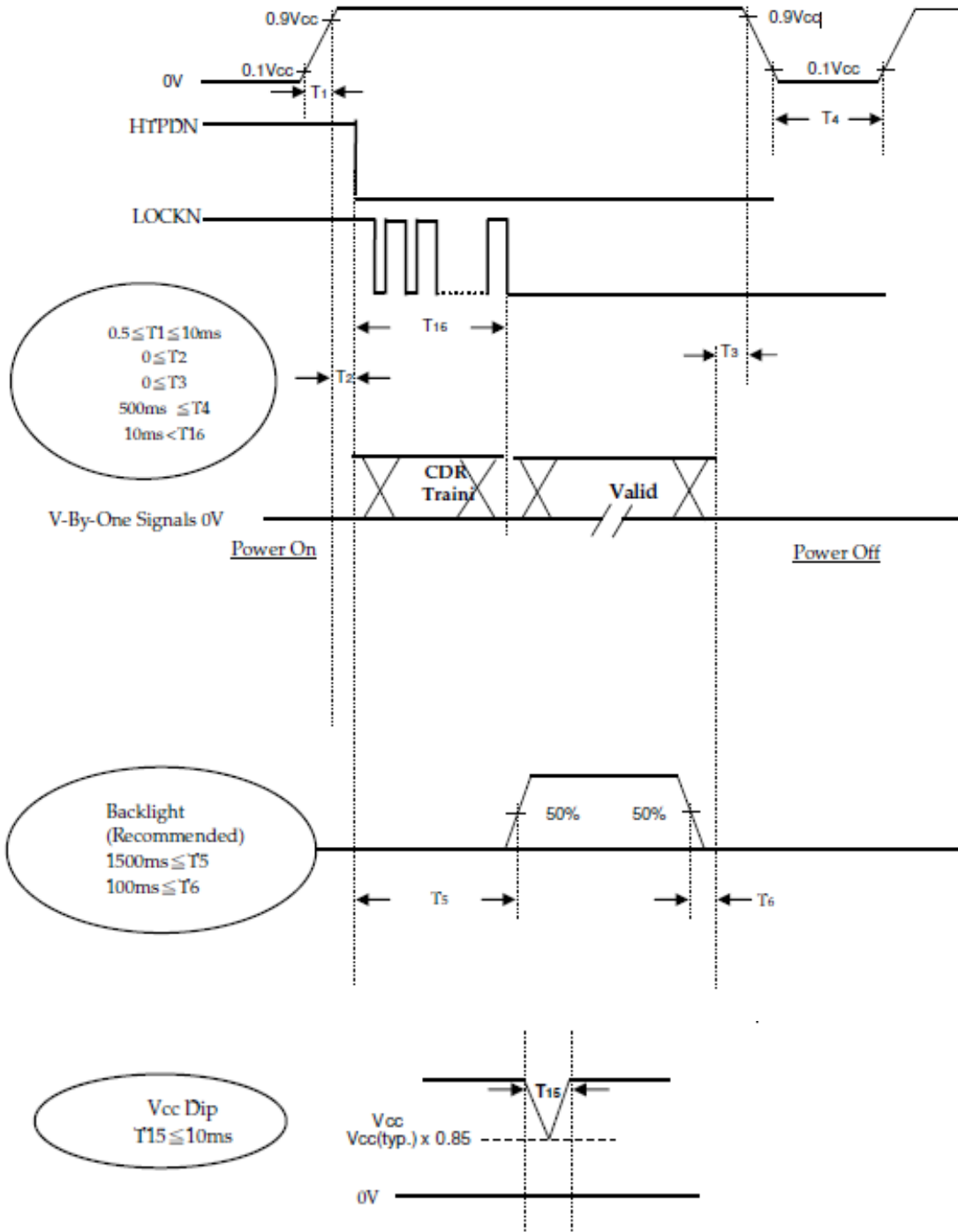
**4.7 BYTE LENGTH AND COLOR MAPPING OF V-BY-ONE HS**

Packer input & Unpacker output		30bpp RGB (10bit)
Byte 0	D[0]	R[2]
	D[1]	R[3]
	D[2]	R[4]
	D[3]	R[5]
	D[4]	R[6]
	D[5]	R[7]
	D[6]	R[8]
	D[7]	R[9]
Byte 1	D[8]	G[2]
	D[9]	G[3]
	D[10]	G[4]
	D[11]	G[5]
	D[12]	G[6]
	D[13]	G[7]
	D[14]	G[8]
	D[15]	G[9]
Byte 2	D[16]	B[2]
	D[17]	B[3]
	D[18]	B[4]
	D[19]	B[5]
	D[20]	B[6]
	D[21]	B[7]
	D[22]	B[8]
	D[23]	B[9]
Byte 3	D[24]	X
	D[25]	X
	D[26]	B[0]
	D[27]	B[1]
	D[28]	G[0]
	D[29]	G[1]
	D[30]	R[0]
	D[31]	R[1]

**4.8 POWER ON/OFF SEQUENCE**

(Ta = 25 ± 2 °C)

To prevent a latch-up or DC operation of LCD module, the power on/off sequence should be as the diagram below.



Note (1) The supply voltage of the external system for the module input should follow the definition of Vcc.

Note (2) Apply the LED voltage within the LCD operation range. When the backlight turns on before the LCD operation or the LCD turns off before the backlight turns off, the display may momentarily become abnormal screen..

Note (3) In case of Vcc is in off level, please keep the level of input signals on the low or high impedance. If  $T2 < 0$ , that maybe cause electrical overstress failure.

Note (4) T4 should be measured after the module has been fully discharged between power off and on period..

Note (5) Interface signal shall not be kept at high impedance when the power is on

Note (6) Vcc must decay smoothly when power-off

## 5. OPTICAL CHARACTERISTICS

### 5.1 TEST CONDITIONS

Item	Symbol	Value	Unit
Ambient Temperature	Ta	25±2	oC
Ambient Humidity	Ha	50±10	%RH
Supply Voltage	According to typical value and tolerance in "ELECTRICAL CHARACTERISTICS"		
Input Signal			
LED Light Bar Input Current Per Input Pin			
PWM Duty Ratio			
LED Light Bar Test Converter			

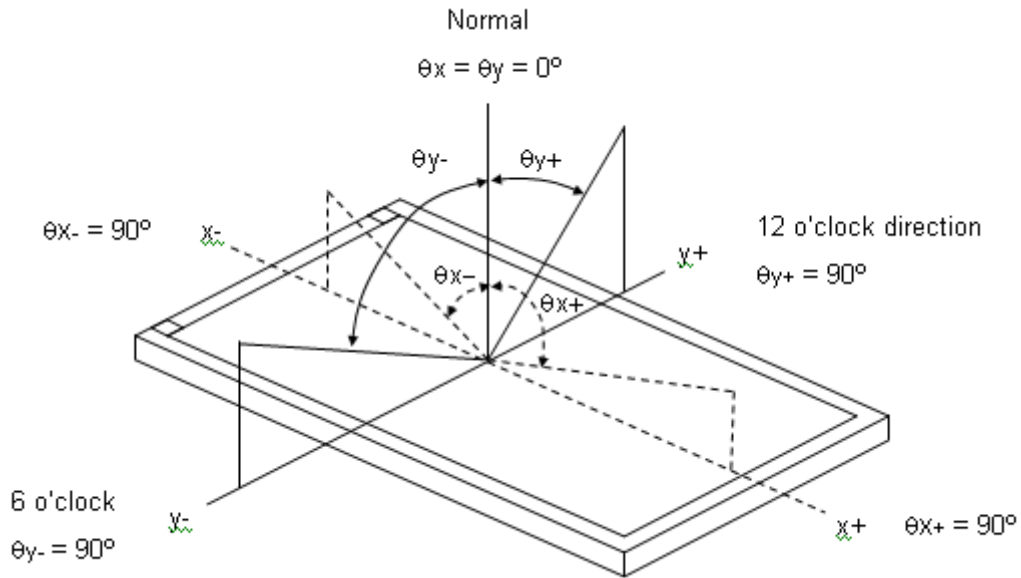
### 5.2 OPTICAL SPECIFICATIONS

The relative measurement methods of optical characteristics are shown in 5.2 and all items are measured at the center point of screen except Grayscale Variation. The following items should be measured under the test conditions described in 5.1 and stable environment shown in Note (5).

TItem	Symbol	Condition	Min.	Typ.	Max.	Unit	Note	
Color Chromaticity (CIE 1931)	Red	Rx	$\theta_x=0^\circ, \theta_y=0^\circ$ CS-2000 R=G=B=255 Gray scale	Typ – 0.03	0.674	Typ + 0.03	-	(1), (5)
		Ry			0.310			
	Green	Gx			0.269			
		Gy			0.680			
	Blue	Bx			0.152			
		By			0.058			
	White	Wx			0.301			
		Wy			0.311			
Center Luminance of White (Center of Screen)	Lc		520	650	-	cd/m <sup>2</sup>	(4), (5)	
Contrast Ratio	CR		1450	1700	-	-	(2), (5)	
Response Time	Gray to Gray	$\theta_x=0^\circ, \theta_y=0^\circ$	-	9.5	20	ms	(3)	
White Variation	W	$\theta_x=0^\circ, \theta_y=0^\circ$	--	-	1.42	--	(5), (6)	
Viewing Angle	Horizontal	$\theta_{x-} + \theta_{x+}$	$CR \geq 10$	160	178	-	Deg.	(1), (5)
	Vertical	$\theta_{y-} + \theta_{y+}$		160	178	-		



Note (1) Definition of Viewing Angle ( $\theta_x, \theta_y$ ):



Note (2) Definition of Contrast Ratio (CR):

The contrast ratio can be calculated by the following expression.

$$\text{Contrast Ratio (CR)} = L_{255} / L_0$$

L255: Luminance of gray level 255

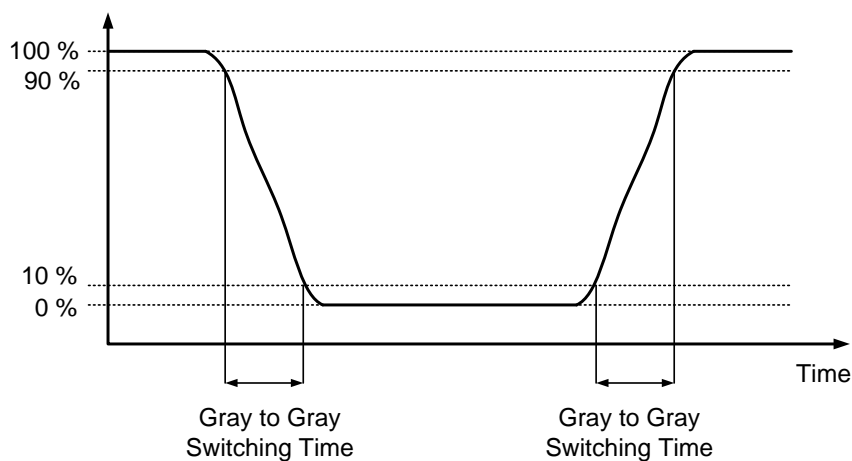
L 0: Luminance of gray level 0

$$\text{CR} = \text{CR} (5)$$

CR (X) is corresponding to the Contrast Ratio of the point X at Figure in Note (6).

Note (3) Definition of Gray-to-Gray Switching Time:

**Optical Response**



The driving signal means the signal of gray level 0, 31, 63, 95, 127, 159, 191, 223 and 255.

Gray to gray average time means the average switching time of gray level 0, 31, 63, 95, 127, 159, 191, 223 and 255 to each other

Note (4) Definition of Luminance of White ( $L_c$ ):

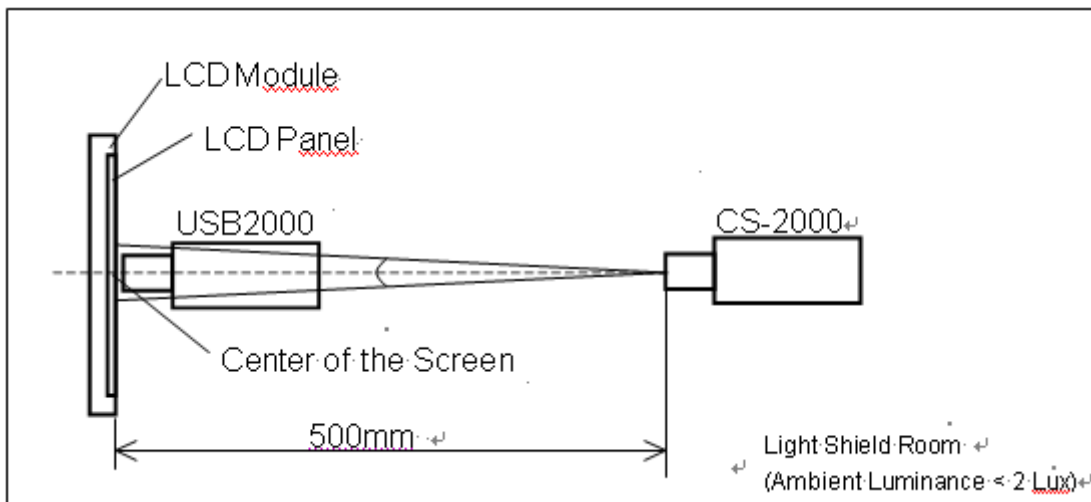
Measure the luminance of gray level 255 at center point

$$L_c = L(5)$$

$L(x)$  is corresponding to the luminance of the point X at Figure in Note (6).

Note (5) Measurement Setup:

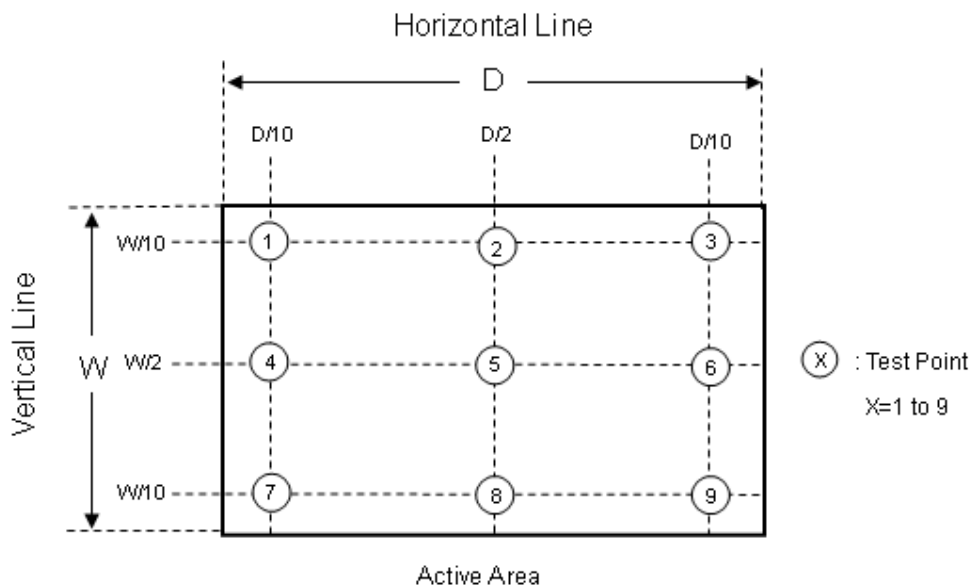
The LCD module should be stabilized at given temperature for 40 minutes to avoid abrupt temperature change during measuring. In order to stabilize the luminance, the measurement should be executed after lighting Backlight for 40 minutes in a windless room.



Note (6) Definition of White Variation ( $\delta W$ ):

Measure the luminance of gray level 255 at 9 points

$$\delta W = \text{Maximum} [L(1) \sim L(9)] / \text{Minimum} [L(1) \sim L(9)]$$



**6. RELIABILITY TEST ITEM**

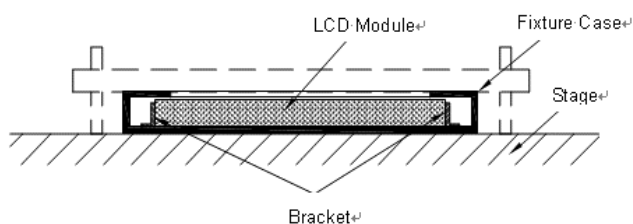
Items	Required Condition	Note
Temperature Humidity Bias (THB)	Ta= 40°C , 80%RH, 240hours	
High Temperature Operation (HTO)	Ta= 45°C , 240hours	
Low Temperature Operation (LTO)	Ta= 0°C , 240hours	
High Temperature Storage (HTS)	Ta= 60°C , 240hours	
Low Temperature Storage (LTS)	Ta= -20°C , 240hours	
Vibration Test (Non-operation)	Acceleration: 1.5 G Wave: sine Frequency: 10 - 300 Hz Sweep: 30 Minutes each Axis (X, Y, Z)	
Shock Test (Non-operation)	Acceleration: 50 G Wave: Half-sine Active Time: 11 ms Direction : ± X, ± Y, ± Z.(one time for each Axis)	
Thermal Shock Test (TST)	-20°C/30min , 60°C / 30min , 100 cycles	
On/Off Test	25°C ,On/10sec , Off /10sec , 30,000 cycles	
ESD (Electro Static Discharge)	Contact Discharge: ± 8KV, 150pF(330Ω)	
	Air Discharge: ± 15KV, 150pF(330Ω)	
Altitude Test	Operation:10,000 ft / 24hours Non-Operation:30,000 ft / 24hours	

Note (1) criteria : Normal display image with no obvious non-uniformity and no line defect.

Note (2) Evaluation should be tested after storage at room temperature for more than two hour

Note (3) At testing Vibration and Shock, the fixture in holding the module has to be hard and rigid enough so that the module would not be twisted or bent by the fixture.

The fixing condition is shown as below:



**7. MECHANICAL STRENGTH CHARACTERISTICS**

**7.1 MECHANICAL STRENGTH SPECIFICATIONS**

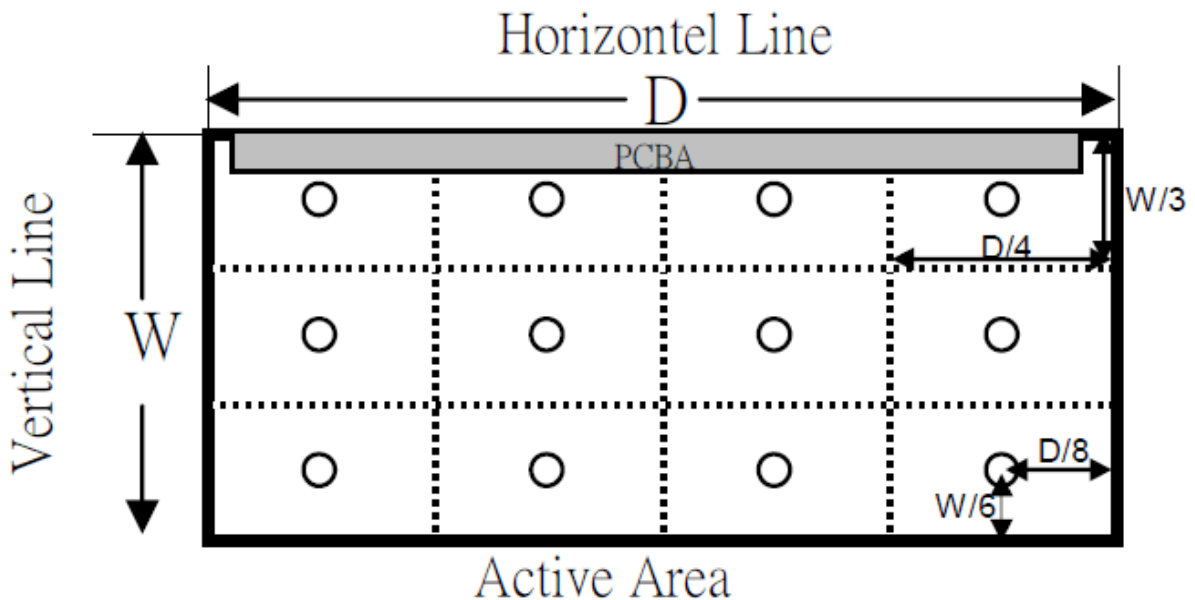
Item	Condition	Min	Unit	Note
Mechanical Strength	128 <sup>th</sup> Gray Pattern	0.6	Kgf	

**7.2 TEST CONDITIONS**

Items	Description
Test Condition	1. Ambient Illumination : 10~15 lux 2. Test Pattern : 128 Gray 3. Distance of the judgment : 30cm from the surface of module 4. Viewing angle of the judgment : Front
Gage Information	1. Push pull guage a. Model name : HF-50, maker : ALGOL b. Shape of gage tip - Diameter : 2mm - Thickness : 2mm
Definition of Minimum force	To measure minimum force when operator detects any white spot and light leakage that have occurred while operator presses on back side of module with push pull guage.

**7.3 DEFINITION OF TEST POINTS**

Measure the minimum force of test points at 128th Gray pattern. The test points at back side of module area is showing as below (If the test points on the PCBA, these points are not included)..

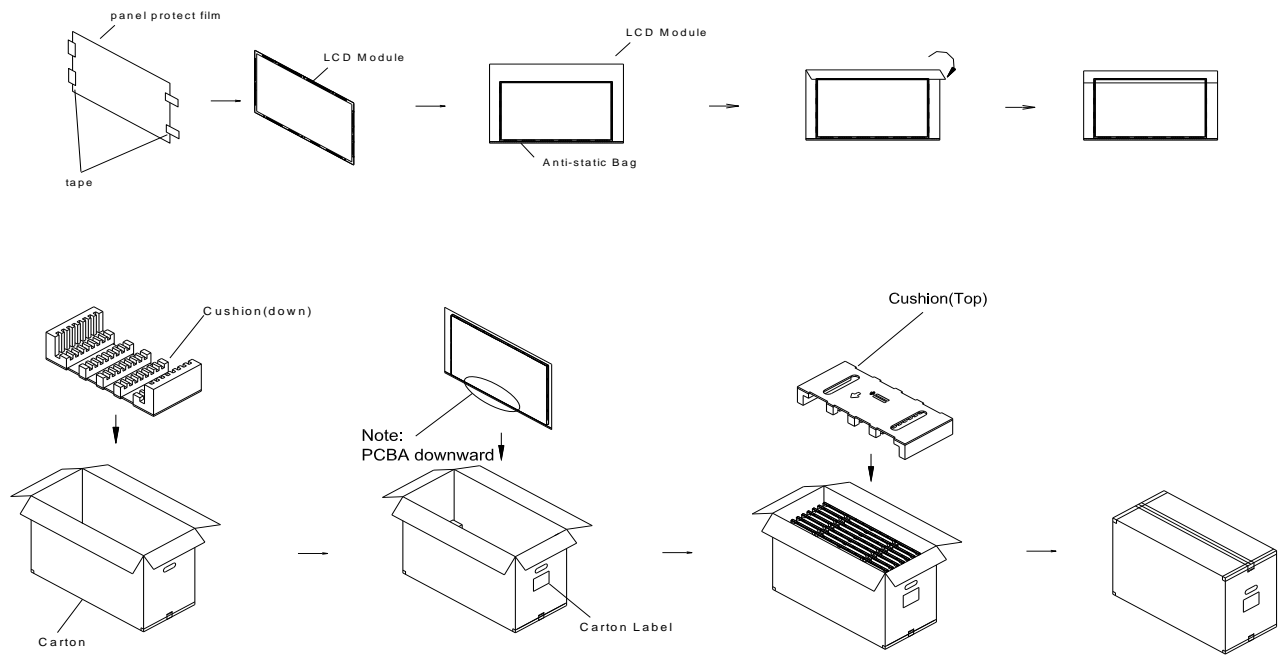


## 8. PACKING

### 8.1 PACKING SPECIFICATIONS

- (1) 8 LCD modules / 1 Box
- (2) Box dimensions: 826(L) X 376(W) X 540(H) mm
- (3) Weight: approximately: 40.3 kg ( 8 modules per box)

### 8.2 PACKING METHOD



- (1) Carton dimensions: 826(L)x376(W)x540(H)mm
- (2) 8 modules / carton

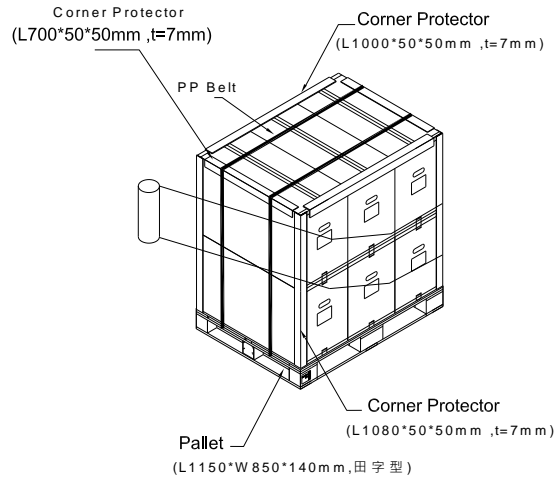
Figure. 8-1 Packing method

**8.3 PALLET**

For ocean shipping

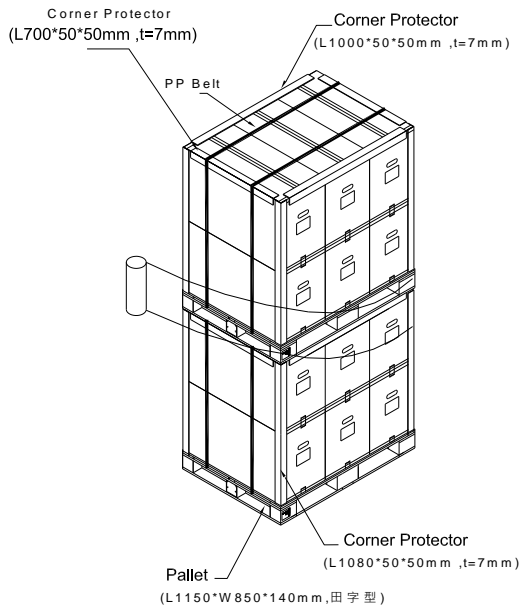
**Air Transportation**

**2 Layer**



**Sea / Land Transportation (40ft HQ Container)**

**3+2 Layer**



**Sea / Land Transportation (40ft Container)**

**3 Layer**

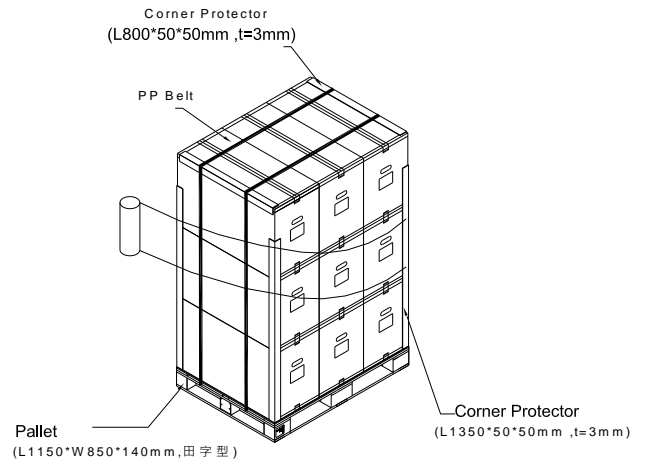


Figure. 8-2 Packing method

**8.4 UN-PACKING METHOD**

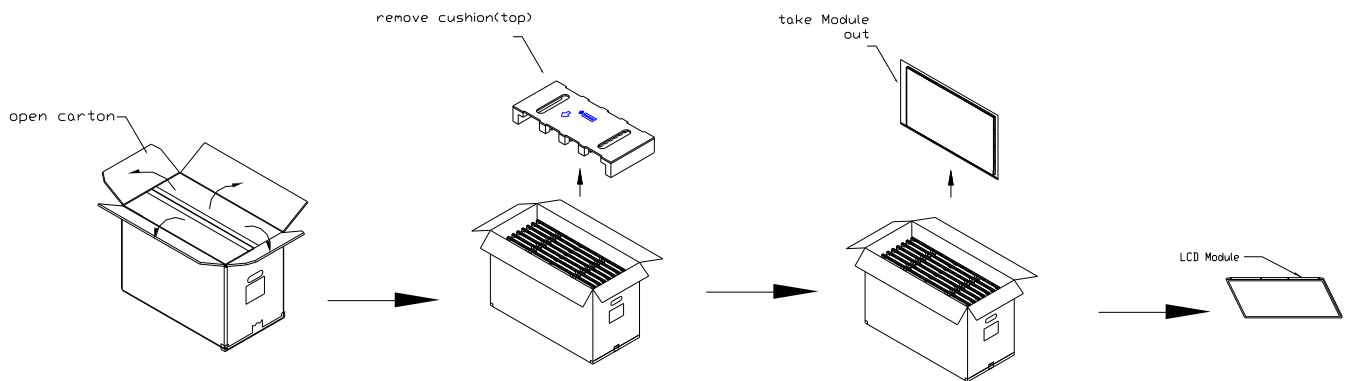
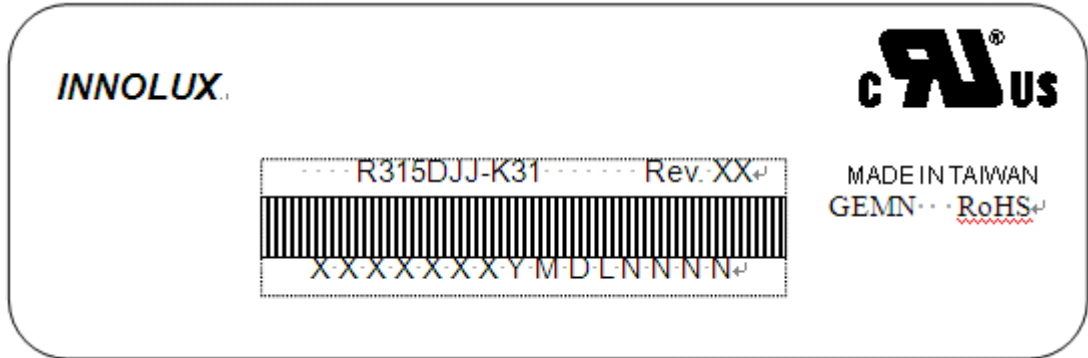


Figure. 8-3 UN-Packing method

**9. INX MODULE LABEL**

The barcode nameplate is pasted on each module as illustration, and its definitions are as following explanation.



(a) Model Name: R315DJJ-K31

(b) Revision: Rev. XX, for example: A0, A1... B1, B2... or C1, C2...etc.

(c) InnoLux barcode definition:

Serial ID: XX-XX-X-XX-YMD-L-NNNN

Code	Meaning	Description
XX	InnoLux internal use	-
XX	Revision	Cover all the change
X	InnoLux internal use	-
XX	InnoLux internal use	-
YMD	Year, month, day	Year: 0~9, 2001=1, 2002=2, 2003=3...2010=0, 2011=1, 2012=2... Month: 1~12=1, 2, 3, ~, 9, A, B, C Day: 1~31=1, 2, 3, ~, 9, A, B, C, ~, W, X, Y, exclude I, O, and U.
L	Product line #	Line 1=1, Line 2=2, Line 3=3, ...
NNNN	Serial number	Manufacturing sequence of product

(d) FAB ID(UL Factory ID):

Region	Factory ID
TWINX	GEMN
NBCMI	LEOO
NBCMI	VIRO
NBCME	CANO
NHCM1	CAPG

**10. PRECAUTIONS**

**10.1 ASSEMBLY AND HANDLING PRECAUTIONS**

- (1) Do not apply rough force such as bending or twisting to the module during assembly.
- (2) To assemble or install module into user's system can be only in clean working areas. The dust and oil may cause electrical short or worsen the polarizer.
- (3) It's not permitted to have pressure or impulse on the module because the LCD panel and Backlight will be damaged.



- (4) Always follow the correct power sequence when LCD module is connecting and operating. This can prevent damage to the CMOS LSI chips during latch-up.
- (5) Do not pull the I/F connector in or out while the module is operating.
- (6) Do not disassemble the module.
- (7) Use a soft dry cloth without chemicals for cleaning, because the surface of polarizer is very soft and easily scratched.
- (8) It is dangerous that moisture come into or contacted the LCD module, because moisture may damage LCD module when it is operating.
- (9) High temperature or humidity may reduce the performance of module. Please store LCD module within the specified storage conditions.
- (10) When ambient temperature is lower than 10°C may reduce the display quality. For example, the response time will become slowly.
- (11) While touching the panel surface under the patterns with higher grey levels, a shadow or mura phenomenon would be seen. This phenomenon is totally recoverable by switching the patterns to lower grey levels. It is a product feature

## **10.2 STORAGE PRECAUTIONS**

- (1) Do not leave the module in high temperature, and high humidity for a long time. It is highly recommended to store the module with temperature from 0°C to 35°C and relative humidity of less than 70%
- (2) Do not store the TFT – LCD module in direct sunlight
- (3) The module should be stored in dark place. It is prohibited to apply sunlight or fluorescent light in storing

### 10.3 OPERATION PRECAUTIONS

(1) The LCD product should be operated under normal condition.

Normal condition is defined as below :

Temperature : 20±15°C

Humidity: 65±20%

Display pattern : continually changing pattern(Not stationary)

(2) If the product will be used in extreme conditions such as high temperature,high humidity,high altitude ,display pattern or operation time etc...It is strongly recommended to contact INX for application engineering advice . Otherwise , Its reliability and function may not be guaranteed.

### 10.4 SAFETY PRECAUTIONS

(1) If the liquid crystal material leaks from the panel, it should be kept away from the eyes or mouth. In case of contact with hands, skin or clothes, it has to be washed away thoroughly with soap.

(2) After the module's end of life, it is not harmful in case of normal operation and storage.

### 10.5 SAFETY STANDARDS

The LCD module should be certified with safety regulations as follows:

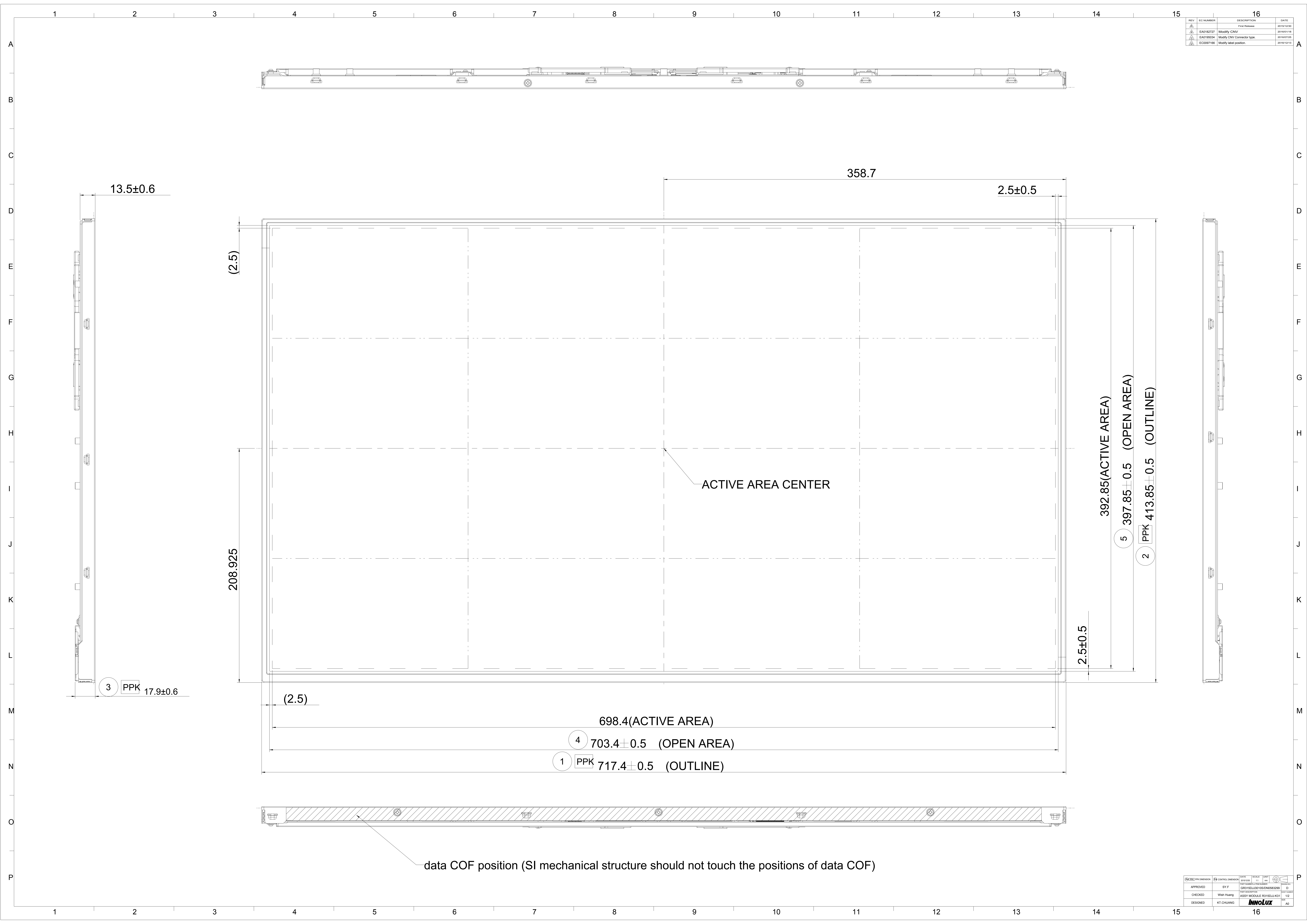
Requirement	Standard	remark
UL	62368-1	
cUL/CSA	62368-1	
CB	62368-1	

### 10.6 OTHER

When fixed patterns are displayed for a long time, remnant image is likely to occur.

**Appendix 1. OUTLINE DRAWING**

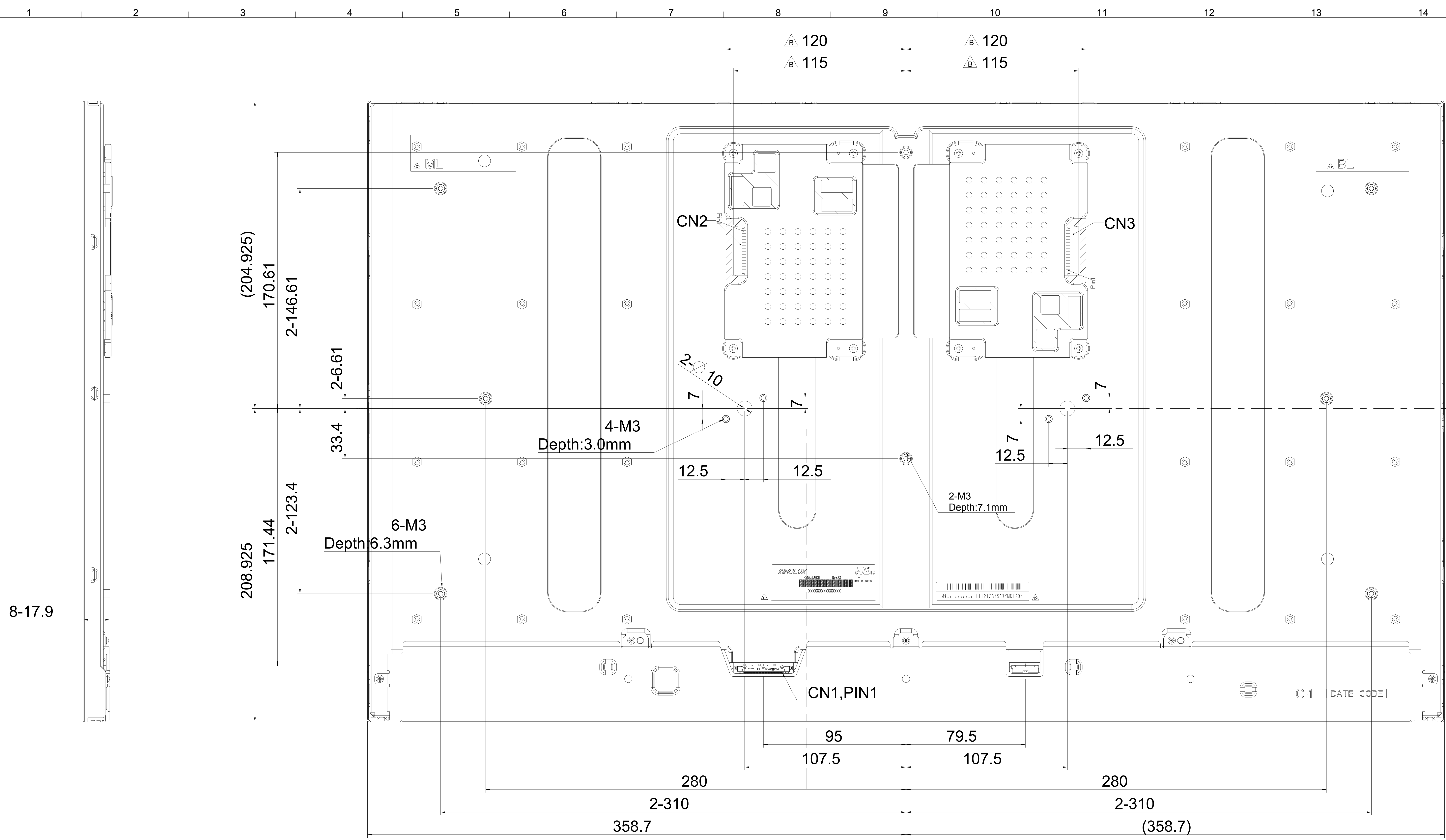
REV	EQ NUMBER	DESCRIPTION	DATE
1	EAD182727	Final Review	20161210
2	EAD180534	Modify CNV	20160725
3	EAD180534	Modify CNV Connector type	20160725
4	ECC009766	Modify label position	20161213



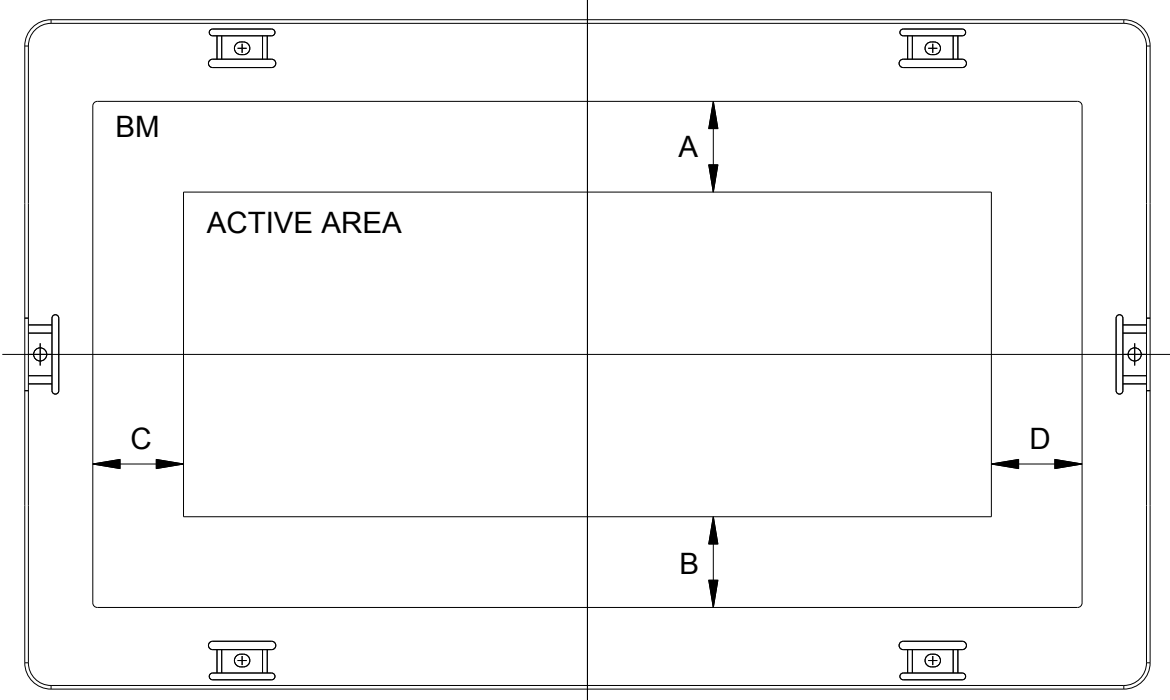
DESIGNED	CHECKED	APPROVED	DATE	SCALE	SHEET	TOTAL
KT CHANG	Wen Huang	SY F	20161213	1:1	11	12
PROJECT: ASSEMBLY MODULE R3150LJ-K31			DRAWING NO: 013150LJ20105-CN0283299			
DESIGNED			D			
CHECKED			1/2			
APPROVED			A0			

**innolux**

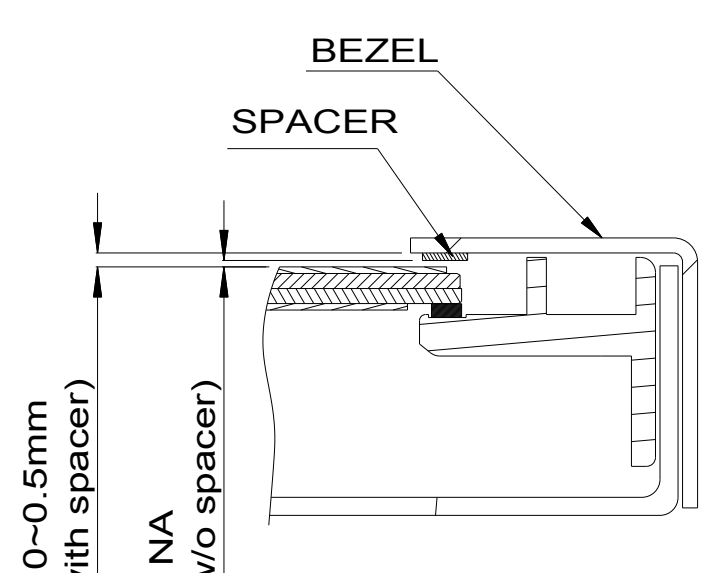
REV	EQ NUMBER	DESCRIPTION	DATE
△	EAP192727	Final Review	2016/12/26
△	EAP190534	Modify CNV	2016/07/26
△	EAP190534	Modify CNV Connector type	2016/07/26
△	ECC009766	Modify label position	2016/12/13



8-17.9



BM WIDTH VARIATION : |A-B|,|C-D|≤1.0 (MAX.)  
FIG.1



SECTION GAP BTW BEZEL AND POL.

**NOTES:**

1. UNSPECIFIED TOLERANCE:  $\pm 0.5\text{mm}$ .
2. MODULE BACKSIDE CAN'T WITHSTAND ANYTHING EXCEPT USER HOLE.
2. DISPLAY AREA POSITION TOLERANCE:  $|A-B| \leq 1.0\text{mm}$  &  $|C-D| \leq 1.0\text{mm}$  (SEE FIG.1).
3. USER HOLE, STANDOFF:  
M3, PITCH=0.5/MACHINE, MAX. TORQUE=TBD kgf-cm, MAX. DEPTH=TBD mm  
DIAMETER=TBDmm, SIDE FORCE(MAX.)=TBD kgf, NOMAL TENSILE FORCE(MAX.)=TBD kgf
4. CONNECTOR TYPE:  
CN1:1st,P-TWO,187059-51221  
2nd,FCN,WF23-402-5133  
△CN2/CN3:1st,FCN,JH2-D4-143N  
2nd,Cvilux,CI0114M1HR0-H
5. TOTAL BALLOONS:1-5

DESIGNED	CHECKED	APPROVED	DATE
KT CHANGS	Wen Huang	SY F	2016/12/26