



## SPECIFICATION

---

**INNO**LUX

**S400DJ1-KS5\_V6**

40" – UHD – V-by-One

Version: 2.3  
Date: 16.06.2023

Note: This specification is subject to change without prior notice

- Tentative Specification
- Preliminary Specification
- Approval Specification

MODEL NO.: S400DJ1

SUFFIX: KS5

Revision : V6	
Customer :	
APPROVED BY	SIGNATURE
Name / Title _____	
Note	
_____	
Please return 1 copy for your confirmation with your signature and	

Approved By	Checked By	Prepared By
ChihFan Ting	John Hsieh	Shoi Wu

CONTENTS

TFT LCD MODULE: table .....	4
Timing spec for QFHD Mode :TABLE .....	4
POWER ON/OFF SEQUENCE : note. ....	4
1. GENERAL DESCRIPTION.....	5
1.1 OVERVIEW .....	5
1.3 GENERAL SPECIFICATIONS.....	5
1.4 MECHANICAL SPECIFICATIONS.....	6
2. ABSOLUTE MAXIMUM RATINGS .....	7
2.1 ABSOLUTE RATINGS OF ENVIRONMENT .....	7
2.2 PACKAGE STORAGE .....	8
2.3 ELECTRICAL ABSOLUTE RATINGS.....	8
2.3.1 TFT LCD MODULE.....	8
3. ELECTRICAL CHARACTERISTICS .....	9
3.1 TFT LCD MODULE.....	9
3.2 BACKLIGHT UNIT .....	11
3.2.1 LED LIGHT BAR CHARACTERISTICS.....	11
4. INPUT TERMINAL PIN ASSIGNMENT.....	12
4.1 TFT LCD MODULE VbyOne HS INPUT.....	12
4.2 BACKLIGHT UNIT .....	15
4.3 COLOR DATA INPUT ASSIGNMENT .....	16
5. INTERFACE TIMING .....	17
5.1 INPUT SIGNAL TIMING SPECIFICATIONS.....	17
5.1.1 Timing spec for QFHD Mode Frame Rate =45~ 63Hz.....	17
5.2 TIMING DRAGRAM .....	20
5.2.1 V by One Input Signal Timing Diagram .....	20
5.3 Byte Length and Color mapping of V-by-One HS.....	21
5.4 POWER ON/OFF SEQUENCE .....	22
5.5 I2C timing SPEC.....	23
6. OPTICAL CHARACTERISTICS.....	24
6.1 TEST CONDITIONS.....	24
6.2 OPTICAL SPECIFICATIONS .....	25

7. PRECAUTIONS .....28

    7.1 ASSEMBLY AND HANDLING PRECAUTIONS .....28

    7.2 SAFETY PRECAUTIONS .....29

    7.3 SAFETY STANDARDS .....30

8. DEFINITION OF LABELS.....31

    8.1 MODULE LABEL .....31

    8.2 CARTON LABEL.....32

9. PACKAGING .....33

    9.1 PACKAGING SPECIFICATIONS .....33

    9.2 PACKAGING METHOD.....33

    9.3 UN-PACKAGING METHOD .....35

10. MECHANICAL CHARACTERISTIC .....36



REVISION HISTORY

Version	Date	Page(New)	Section	Description
Ver. 2.0	Jul.12,2019	All	All	Approval Specification was first issued.
Ver. 2.1	May.29,2023	P.1	Ver.	V4→V6
		P.5	1.1	OVERVIEW
			1.3	GENERAL SPECIFICATIONS :Note(1)
		P.8	2.3.1	ELECTRICAL ABSOLUTE RATINGS - TFT LCD MODULE : note(1)
		P.9~10	3.1	ELECTRICAL CHARACTERISTICS – TFT LCD MODULE: V-BY-ONE , note(1), Note(3)
		P.15~17	4.1	INPUT TERMINAL PIN ASSIGNMENT -TFT LCD MODULE VbyOne HS INPUT table&note(1)(2)(5)(6)(7)
		P.21~27	5	INTERFACE TIMING
Ver. 2.2	Jun.15, 2023	P.9	3.1	TFT LCD MODULE: table
		P.17	5.1.1	Timing spec for QFHD Mode :TABLE
		P.22	5.4	POWER ON/OFF SEQUENCE : note.
Ver. 2.3	Jun.16, 2023	P.5	1.1	OVERVIEW
		p.22	5.4	POWER ON/OFF SEQUENCE : note.
		P.23	5.5	I2C timing SPEC

## 1. GENERAL DESCRIPTION

### 1.1 OVERVIEW

S400DJ1-KS5 is a 40" TFT Liquid Crystal Display TV module with LED Backlight unit and 8Lanes V-by-One HS interface. This module supports 3840 x 2160 Quad Full HDTV format and can display true 1.07G colors (8-bit+FRC).

### 1.2 FEATURES

- High brightness : 550 nits
- High contrast ratio : 5000:1
- Fast response time : Gray to Gray typical : 9.5 ms
- High color saturation : NTSC 88%
- Quad Full HDTV (3840 x 2160 pixels) resolution, true HDTV format
- V-by-One HS interface
- Optimized response time for 50Hz/60Hz frame rate
- Viewing Angle : 178(H)/178(V) (CR>10) VA Technology
- Ultra wide viewing angle: Super MVA technology
- RoHs compliance
- T-con input frame rate : QFHD 45~63Hz

Output frame rate: QFHD 45~63Hz

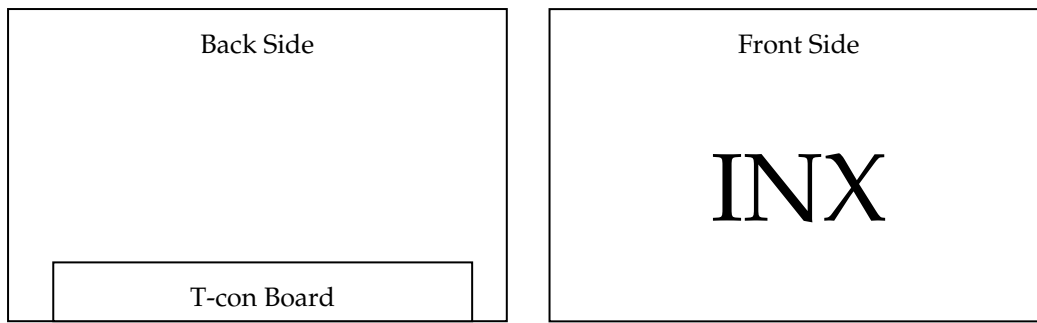
### 1.3 GENERAL SPECIFICATIONS

Item	Specification	Unit	Note
Active Area	878.112(H) x 485.352(V) (40" diagonal)	mm	(1)
Bezel Opening Area	881.112(H) x 488.352(V)	mm	
Driver Element	a-si TFT active matrix	-	-
Pixel Number	3840 x R.G.B. x 2160	pixel	-
Pixel Pitch(Sub Pixel)	0.076225 (H) x 0.2247 (V)	mm	-
Pixel Arrangement	RGB vertical stripe	-	-
Display Colors	1.07G colors (8-bit+FRC)	color	-
Display Operation Mode	Transmissive mode / Normally black	-	-
Surface Treatment	Anti-Glare coating (Haze ~1%) · Hardness 3H	-	(2)
Rotation Function	Unachievable		(3)
Display Orientation	Signal input with "INX"		(3)

Note (1) Please refer to the attached drawings in chapter 11 for more information about the front and back outlines.

Note (2) The spec. of the surface treatment is temporarily for this phase. INX reserves the rights to change this feature.

Note (3)



#### 1.4 MECHANICAL SPECIFICATIONS

Item		Min.	Typ.	Max.	Unit	Note
Module Size	Horizontal (H)	892.11	893.11	894.11	mm	(1), (2)
	Vertical (V)	503.35	504.35	505.35	mm	
	Depth (D)	10.5	11.5	12.5	mm	
		24.2	25.2	26.2		(3)
Weight			7680		g	—

Note (1) Please refer to the attached drawings for more information of front and back outline dimensions.

Note (2) Module Depth is between bezel to rear

Note (3) Module Depth is between bezel to Converter cover

2. ABSOLUTE MAXIMUM RATINGS

2.1 ABSOLUTE RATINGS OF ENVIRONMENT

Item	Symbol	Value		Unit	Note
		Min.	Max.		
Storage Temperature	TST	-20	+60	°C	(1)
Operating Ambient Temperature	TOP	0	50	°C	(1), (2)
Shock (Non-Operating)	SNOP	-	50	G	(3), (5)
Vibration (Non-Operating)	VNOP	-	1.0	G	(4), (5)

Note (1) Temperature and relative humidity range is shown in the figure below.

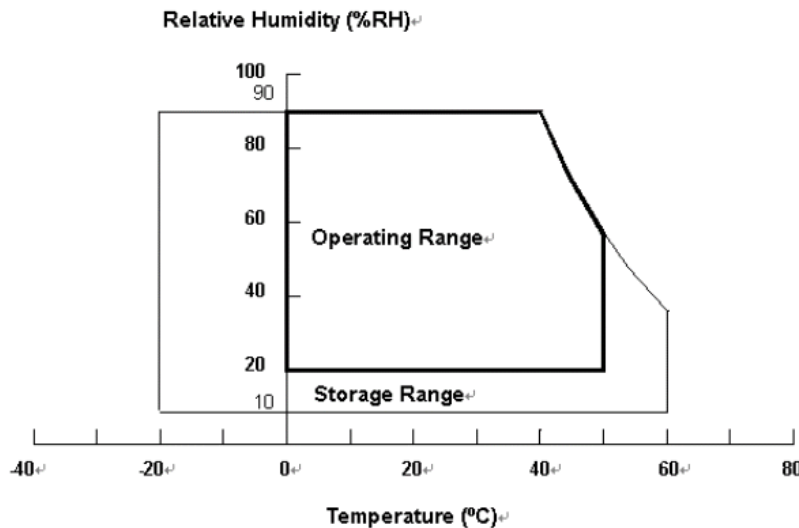
- (a) 90 %RH Max. ( $T_a \leq 40\text{ }^\circ\text{C}$ )
- (b) Wet-bulb temperature should be 39 °C Max.
- (c) No condensation.

Note (2) Thermal management should be considered in final product design to prevent the surface temperature of display area from being over 65 °C. The range of operating temperature may degrade in case of improper thermal management in final product design.

Note (3) 11 ms, half sine wave, 1 time for ± X, ± Y, ± Z.

Note (4) 10 ~ 200 Hz, 30 min, 1 time each X, Y, Z.

Note (5) At testing Vibration and Shock, the fixture in holding the module has to be hard and rigid enough so that the module would not be twisted or bent by the fixture.





**2.2 PACKAGE STORAGE**

When storing modules as spares for a long time, the following precaution is necessary.

- (a) Do not leave the module in high temperature, and high humidity for a long time, It is highly recommended to store the module with temperature from 0 to 35 °C at normal humidity without condensation.
- (b) The module shall be stroed in dark place. Do not store the TFT-LCD module in direct sunlight or fluorescent light.

**2.3 ELECTRICAL ABSOLUTE RATINGS**

**2.3.1 TFT LCD MODULE**

Item	Symbol	Value		Unit	Note
		Min.	Max.		
Power Supply Voltage	VCC	-0.3	13.5	V	(1)
Logic Input Voltage	VIN	-0.3	3.6	V	

Note (1) Permanent damage to the device may occur if maximum values are exceeded. Function operation should be restricted to the conditions described under Normal Operating Conditions.

3. ELECTRICAL CHARACTERISTICS

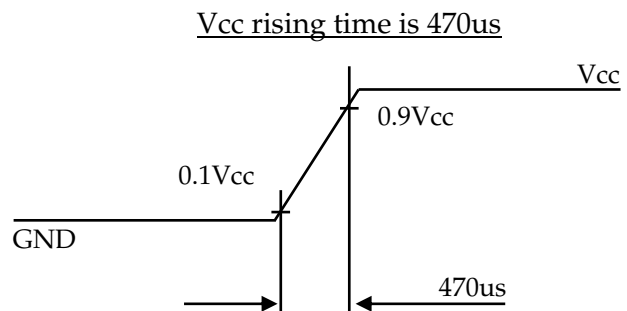
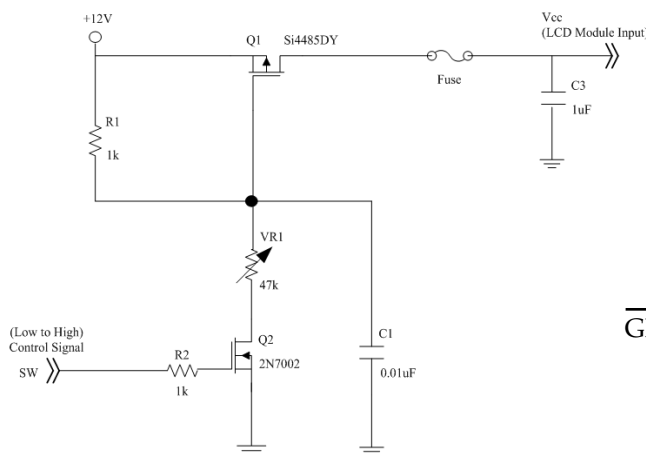
3.1 TFT LCD MODULE

(Ta = 25 ± 2 °C)

Parameter		Symbol	Value			Unit	Note
			Min.	Typ.	Max.		
Power Supply Voltage		V <sub>CC</sub>	10.8	12	13.2	V	(1)
Rush Current		I <sub>RUSH</sub>	—	—	2.96	A	(2)
QFHD 60Hz Output Power Consumption	White Pattern	P <sub>T</sub>	—	9.46	10.4	W	(3)
	Horizontal Stripe	P <sub>T</sub>	—	14.68	16.15	W	
	Black Pattern	P <sub>T</sub>	—	7.94	8.73	W	
QFHD 60Hz Output Power Supply Current	White Pattern	—	—	0.81	0.98	A	(3)
	Horizontal Stripe	—	—	1.27	1.52	A	
	Black Pattern	—	—	0.67	0.8	A	
V-by-One HS	Differential Input High Threshold Voltage	VLVTH	—	—	+50	mV	(3)
	Differential Input Low Threshold Voltage	VLVTL	-50	—	—	mV	
	Differential Input Resistor	RRIN	80	100	120	ohm	
CMOS interface	Input High Threshold Voltage	V <sub>IH</sub>	2.7	—	3.6	V	(3)
	Input Low Threshold Voltage	V <sub>IL</sub>	0	—	0.7	V	

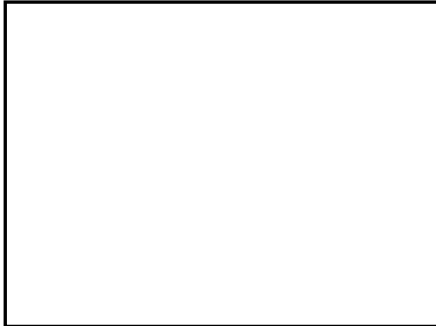
Note (1) The module should be always operated within the above ranges. The ripple voltage should be controlled under 10% of V<sub>CC</sub> (Typ.).

Note (2) Measurement condition :



Note (3) The specified power supply current is under the conditions at  $V_{cc} = 12\text{ V}$ ,  $T_a = 25 \pm 2\text{ }^\circ\text{C}$ ,  $f_v = 60\text{ Hz}$ , whereas a power dissipation check pattern below is displayed.

a. White Pattern



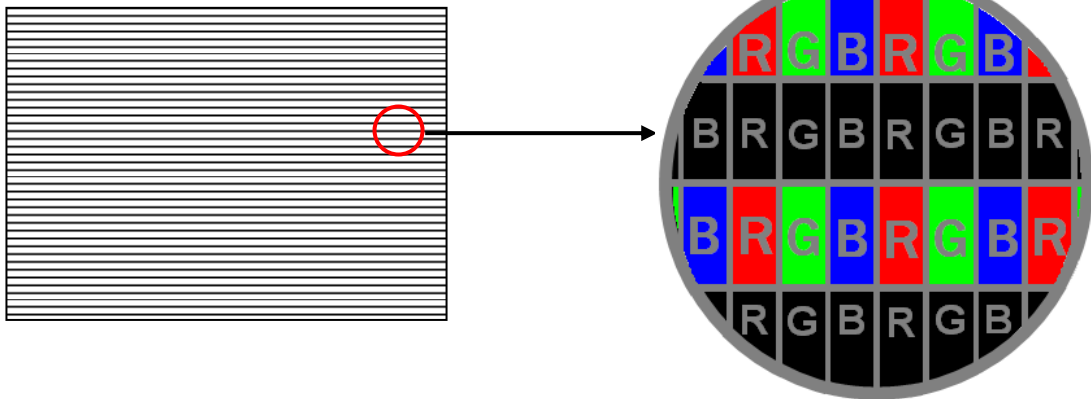
Active Area

b. Black Pattern



Active Area

c. Heavy Loading pattern



3.2 BACKLIGHT UNIT

3.2.1 LED LIGHT BAR CHARACTERISTICS

The backlight unit contains 2 pcs LED light bar, and each light bar has 4 string LED. (Ta = 25 ± 2 °C)

Parameter	Symbol	Value			Unit	Note
		Min.	Typ.	Max.		
One String Current	I <sub>L</sub>	171	180	189	mA	(1)
One String Voltage	V <sub>w</sub>	34.83	-	41.92	V <sub>DC</sub>	(2) I <sub>L</sub> =180mA
One String Voltage Variation	△V <sub>w</sub>			2	V <sub>DC</sub>	
Power Consumption	P <sub>BL</sub>		54.64		W	(3) I <sub>L</sub> =180mA
Life time	—	30,000	—	—	Hrs	(4)

Note (1) Dimming Ratio=100%

Note (2) The maximum one string voltage is defined at Ta= -25°C

Note(3) The power consumption is only calculate the power of Light bar.

Note (4) The lifetime is defined as the time which luminance of the LED decays to 50% compared to the initial value,

Operating condition: Continuous operating at Ta = 25±2°C, I<sub>L</sub> =180 mA

4. INPUT TERMINAL PIN ASSIGNMENT

4.1 TFT LCD MODULE VbyOne HS INPUT

CNC03 Connector Pin Assignment: [187059-51221(P-TWO), WF23-402-5133(FCN)]

Matting Connector: [FI-RE51HL (JAE)]

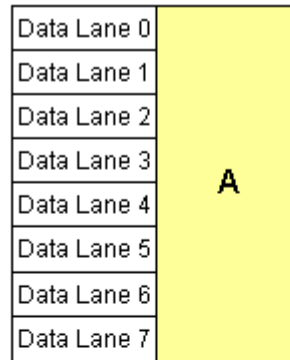
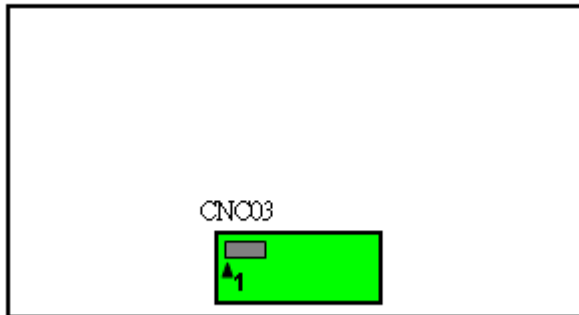
Pin	Name	Description	Note
1	Vin	Power input (+12V)	(5)
2	Vin	Power input (+12V)	
3	Vin	Power input (+12V)	
4	Vin	Power input (+12V)	
5	Vin	Power input (+12V)	
6	Vin	Power input (+12V)	
7	Vin	Power input (+12V)	
8	Vin	Power input (+12V)	
9	N.C.	No Connection	(4)
10	GND	Ground	
11	GND	Ground	
12	GND	Ground	
13	GND	Ground	
14	GND	Ground	
15	N.C.	No Connection	(4)
16	N.C.	No Connection	(4)
17	N.C.	No Connection	(4)
18	SDA	I2C Data signal ,(open drain)	(7)
19	SCL	I2C Clock signal,(open drain)	(7)
20	N.C.	No Connection	(4)
21	Vsync	Vsync (for Converter)	
22	N.C.	No Connection	(4)
23	N.C.	No Connection	(4)
24	N.C.	No Connection	(4)
25	HTPDN	No Connection or ground	(6)
26	LOCKN	Lock detect output, Open drain.	
27	GND	Ground	
28	RX0N	1 <sup>ST</sup> Pixel Negative V-by-One differential data input in area A. Lane 0	(1)
29	RX0P	1 <sup>ST</sup> Pixel Positive V-by-One differential data input in area A. Lane 0	
30	GND	Ground	
31	RX1N	2 <sup>ND</sup> Pixel Negative V-by-One differential data input in area A. Lane 1	(1)
32	RX1P	2 <sup>ND</sup> Pixel Positive V-by-One differential data input in area A. Lane 1	
33	GND	Ground	
34	RX2N	3 <sup>RD</sup> Pixel Negative V-by-One differential data input in area A. Lane 2	(1)
35	RX2P	3 <sup>RD</sup> Pixel Positive V-by-One differential data input in area A. Lane 2	
36	GND	Ground	
37	RX3N	4 <sup>TH</sup> Pixel Negative V-by-One differential data input in area A. Lane 3	(1)
38	RX3P	4 <sup>TH</sup> Pixel Positive V-by-One differential data input in area A. Lane 3	
39	GND	Ground	
40	RX4N	5 <sup>TH</sup> Pixel Negative V-by-One differential data input in area A. Lane 4	(1)
41	RX4P	5 <sup>TH</sup> Pixel Positive V-by-One differential data input in area A. Lane 4	
42	GND	Ground	
43	RX5N	6 <sup>TH</sup> Pixel Negative V-by-One differential data input in area A. Lane 5	(1)
44	RX5P	6 <sup>TH</sup> Pixel Positive V-by-One differential data input in area A. Lane 5	
45	GND	Ground	

46	RX6N	7 <sup>TH</sup> Pixel Negative V-by-One differential data input in area A. Lane 6	(1)
47	RX6P	7 <sup>TH</sup> Pixel Positive V-by-One differential data input in area A. Lane 6	
48	GND	Ground	
49	RX7N	8 <sup>TH</sup> Pixel Negative V-by-One differential data input in area A. Lane 7	(1)
50	RX7P	8 <sup>TH</sup> Pixel Positive V-by-One differential data input in area A. Lane 7	
51	GND	Ground	

Note (1) V-by-One HS Data Mapping(QFHD mode)

Area	Lane	Data Stream
A	Lane 0	1, 9, 17, ....., 3825, 3833
	Lane 1	2, 10, 18, ....., 3826, 3834
	Lane 2	3, 11, 19, ....., 3827, 3835
	Lane 3	4, 12, 20, ....., 3828, 3836
	Lane 4	5, 13, 21, ....., 3829, 3837
	Lane 5	6, 14, 22, ....., 3830, 3838
	Lane 6	7, 15, 23, ....., 3831, 3839
	Lane 7	8, 16, 24, ....., 3832, 3840

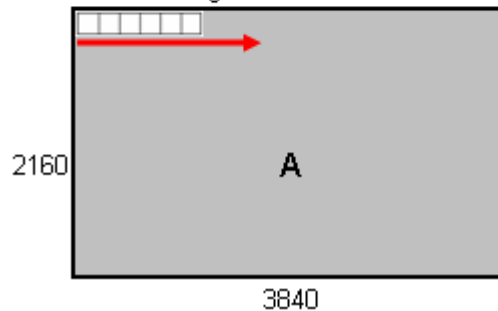
**Front View**



**Display**

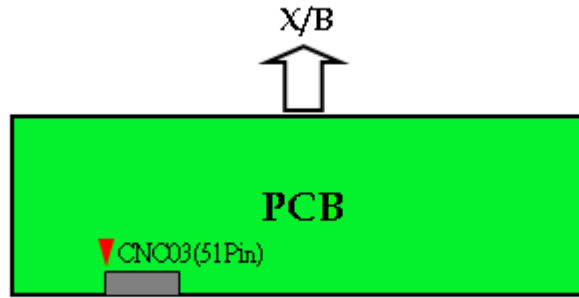


**Pixel Arrangement**

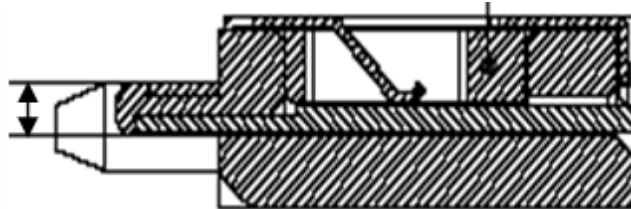




Note (2) V-by-One HS connector pin order defined as follows



Note (3) V-by-One connector mating dimension range request is 0.93mm~1.0mm as below

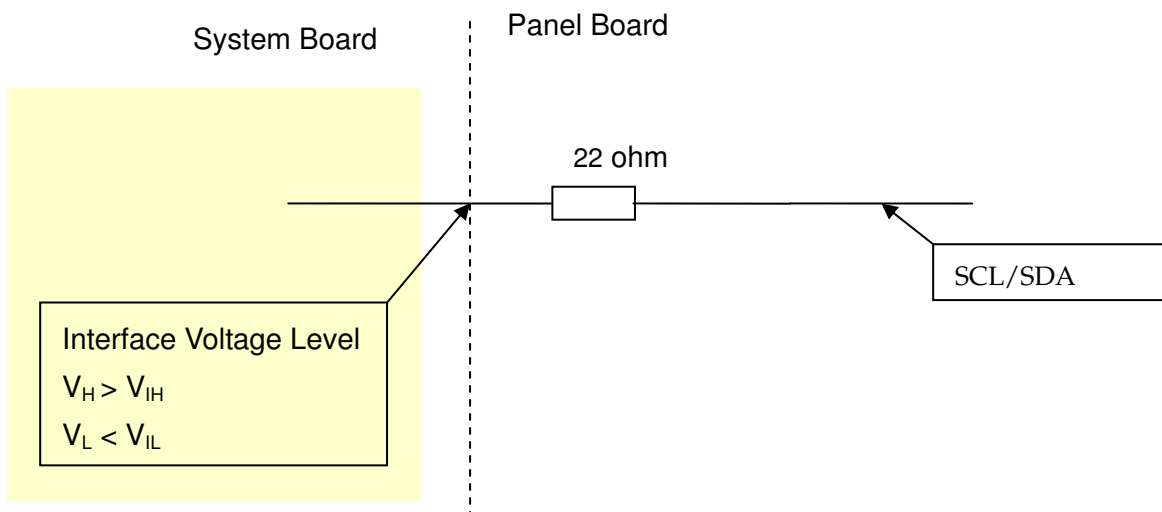


Note (4) Reserved for internal use. Please leave it open.

Note (5) Power input (+12V), Please check the current rating of FFC cable to meet the power consumption requirement.

Note (6) This pin connect to ground internal, but it could be open.

Note (7) I2C pin has internal scheme as following diagram. Customer should keep the interface voltage level requirement which including Panel board loading as below.



4.2 BACKLIGHT UNIT

4.2.1 LIGHT BAR UNIT

The pin configuration for the housing and lead wire is shown in the table below.

CNL01 Connector Pin Assignment: [WM13-412-123N(FCN) or CI1412M1HRM-NH (CVILUX)]

Matting connector : [IWF13-00112(FCN) or CI1412SL000-NH(CVILUX)]

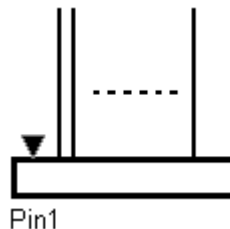
1	VLED	Positive of LED String	
2	VLED	Positive of LED String	
3	VLED	Positive of LED String	
4	NC	No Connection	
5	NC	No Connection	
6	NC	No Connection	
7	NC	No Connection	
8	NC	No Connection	
9	N1	Negative of LED String	
10	N2	Negative of LED String	
11	N3	Negative of LED String	
12	N4	Negative of LED String	

CNL01 Connector Pin Assignment: [WM13-412-123N(FCN) or CI1412M1HRM-NH (CVILUX)]

Matting connector : [IWF13-00112(FCN) or CI1412SL000-NH(CVILUX)]

1	VLED	Positive of LED String	
2	VLED	Positive of LED String	
3	VLED	Positive of LED String	
4	NC	No Connection	
5	NC	No Connection	
6	NC	No Connection	
7	NC	No Connection	
8	NC	No Connection	
9	N1	Negative of LED String	
10	N2	Negative of LED String	
11	N3	Negative of LED String	
12	N4	Negative of LED String	

Note (1) Lightbar Input connector pin order defined as follows



**4.3 COLOR DATA INPUT ASSIGNMENT**

The brightness of each primary color (red, green and blue) is based on the 10-bit gray scale data input for the color. The higher the binary input the brighter the color. The table below provides the assignment of color versus data input.

Color		Data Signal																																						
		Red										Green										Blue																		
		R9	R8	R7	R6	R5	R4	R3	R2	R1	R0	G9	G8	G7	G6	G5	G4	G3	G2	G1	G0	B9	B8	B7	B6	B5	B4	B3	B2	B1	B0									
Basic Colors	Black	0	0	0	0	0	0	0	0	0	0	0	0	0	0	0	0	0	0	0	0	0	0	0	0	0	0	0	0	0	0	0	0	0	0	0	0	0	0	0
	Red	1	1	1	1	1	1	1	1	1	1	0	0	0	0	0	0	0	0	0	0	0	0	0	0	0	0	0	0	0	0	0	0	0	0	0	0	0	0	0
	Green	0	0	0	0	0	0	0	0	0	0	1	1	1	1	1	1	1	1	1	0	0	0	0	0	0	0	0	0	0	0	0	0	0	0	0	0	0	0	0
	Blue	0	0	0	0	0	0	0	0	0	0	0	0	0	0	0	0	0	0	0	1	1	1	1	1	1	1	1	1	1	0	0	0	0	0	0	0	0	0	0
	Cyan	0	0	0	0	0	0	0	0	0	0	1	1	1	1	1	1	1	1	1	1	1	1	1	1	1	1	1	1	1	0	0	0	0	0	0	0	0	0	0
	Magenta	1	1	1	1	1	1	1	1	1	1	0	0	0	0	0	0	0	0	0	0	0	0	0	0	0	0	0	0	0	1	1	1	1	1	1	1	1	1	1
	Yellow	1	1	1	1	1	1	1	1	1	1	1	1	1	1	1	1	1	1	1	1	1	1	1	1	1	1	1	1	1	0	0	0	0	0	0	0	0	0	0
	White	1	1	1	1	1	1	1	1	1	1	1	1	1	1	1	1	1	1	1	1	1	1	1	1	1	1	1	1	1	1	1	1	1	1	1	1	1	1	1
Gray Scale Of Red	Red (0) / Dark	0	0	0	0	0	0	0	0	0	0	0	0	0	0	0	0	0	0	0	0	0	0	0	0	0	0	0	0	0	0	0	0	0	0	0	0	0	0	
	Red (1)	0	0	0	0	0	0	0	0	0	1	0	0	0	0	0	0	0	0	0	0	0	0	0	0	0	0	0	0	0	0	0	0	0	0	0	0	0	0	
	Red (2)	0	0	0	0	0	0	0	0	1	0	0	0	0	0	0	0	0	0	0	0	0	0	0	0	0	0	0	0	0	0	0	0	0	0	0	0	0	0	
	:	:	:	:	:	:	:	:	:	:	:	:	:	:	:	:	:	:	:	:	:	:	:	:	:	:	:	:	:	:	:	:	:	:	:	:	:	:	:	
	:	:	:	:	:	:	:	:	:	:	:	:	:	:	:	:	:	:	:	:	:	:	:	:	:	:	:	:	:	:	:	:	:	:	:	:	:	:	:	
	Red (1021)	1	1	1	1	1	1	1	1	0	1	0	0	0	0	0	0	0	0	0	0	0	0	0	0	0	0	0	0	0	0	0	0	0	0	0	0	0	0	
	Red (1022)	1	1	1	1	1	1	1	1	1	0	0	0	0	0	0	0	0	0	0	0	0	0	0	0	0	0	0	0	0	0	0	0	0	0	0	0	0	0	
	Red (1023)	1	1	1	1	1	1	1	1	1	1	0	0	0	0	0	0	0	0	0	0	0	0	0	0	0	0	0	0	0	0	0	0	0	0	0	0	0	0	
Gray Scale Of Green	Green (0) / Dark	0	0	0	0	0	0	0	0	0	0	0	0	0	0	0	0	0	0	0	0	0	0	0	0	0	0	0	0	0	0	0	0	0	0	0	0	0	0	
	Green (1)	0	0	0	0	0	0	0	0	0	0	0	0	0	0	0	0	0	0	0	0	0	0	0	0	0	0	0	0	1	0	0	0	0	0	0	0	0	0	
	Green (2)	0	0	0	0	0	0	0	0	0	0	0	0	0	0	0	0	0	1	0	0	0	0	0	0	0	0	0	0	0	0	0	0	0	0	0	0	0	0	
	:	:	:	:	:	:	:	:	:	:	:	:	:	:	:	:	:	:	:	:	:	:	:	:	:	:	:	:	:	:	:	:	:	:	:	:	:	:	:	
	:	:	:	:	:	:	:	:	:	:	:	:	:	:	:	:	:	:	:	:	:	:	:	:	:	:	:	:	:	:	:	:	:	:	:	:	:	:	:	
	Green (1021)	0	0	0	0	0	0	0	0	0	1	1	1	1	1	1	1	1	1	0	0	0	0	0	0	0	0	0	0	0	0	0	0	0	0	0	0	0	0	
	Green (1022)	0	0	0	0	0	0	0	0	0	1	1	1	1	1	1	1	1	1	0	0	0	0	0	0	0	0	0	0	0	0	0	0	0	0	0	0	0	0	
	Green (1023)	0	0	0	0	0	0	0	0	0	1	1	1	1	1	1	1	1	1	0	0	0	0	0	0	0	0	0	0	0	0	0	0	0	0	0	0	0	0	
Gray Scale Of Blue	Blue (0) / Dark	0	0	0	0	0	0	0	0	0	0	0	0	0	0	0	0	0	0	0	0	0	0	0	0	0	0	0	0	0	0	0	0	0	0	0	0	0	0	
	Blue (1)	0	0	0	0	0	0	0	0	0	0	0	0	0	0	0	0	0	0	0	0	0	0	0	0	0	0	0	0	0	0	0	0	0	0	0	0	0	1	
	Blue (2)	0	0	0	0	0	0	0	0	0	0	0	0	0	0	0	0	0	0	0	0	0	0	0	0	0	0	0	0	0	0	0	0	0	0	0	0	0	1	
	:	:	:	:	:	:	:	:	:	:	:	:	:	:	:	:	:	:	:	:	:	:	:	:	:	:	:	:	:	:	:	:	:	:	:	:	:	:	:	
	:	:	:	:	:	:	:	:	:	:	:	:	:	:	:	:	:	:	:	:	:	:	:	:	:	:	:	:	:	:	:	:	:	:	:	:	:	:	:	
	Blue (1021)	0	0	0	0	0	0	0	0	0	0	0	0	0	0	0	0	0	0	0	0	0	0	0	0	0	0	0	0	1	1	1	1	1	1	1	1	0	1	
Blue (1022)	0	0	0	0	0	0	0	0	0	0	0	0	0	0	0	0	0	0	0	0	0	0	0	0	0	0	0	0	1	1	1	1	1	1	1	1	1	0		
Blue (1023)	0	0	0	0	0	0	0	0	0	0	0	0	0	0	0	0	0	0	0	0	0	0	0	0	0	0	0	0	1	1	1	1	1	1	1	1	1	1		

Note (1) 0: Low Level Voltage , 1: High Level Voltage

5. INTERFACE TIMING

5.1 INPUT SIGNAL TIMING SPECIFICATIONS

The input signal timing specifications are shown as the following table and timing diagram.

Signal	Item	Symbol	Min.	Typ.	Max.	Unit	Note
V-by-One Receiver	Intra-Pair skew		-0.3	—	0.3	UI	(2)
	Inter-pair skew		-5	—	5	UI	(3)
	Spread spectrum modulation range	$F_{clk\_in\_mod}$	$1/Tc-0.5\%$	—	$1/Tc+0.5\%$	MHz	(4)
	Spread spectrum modulation frequency	$F_{SSM}$	—	—	30	KHz	

5.1.1 Timing spec for QFHD Mode Frame Rate =45~ 63Hz

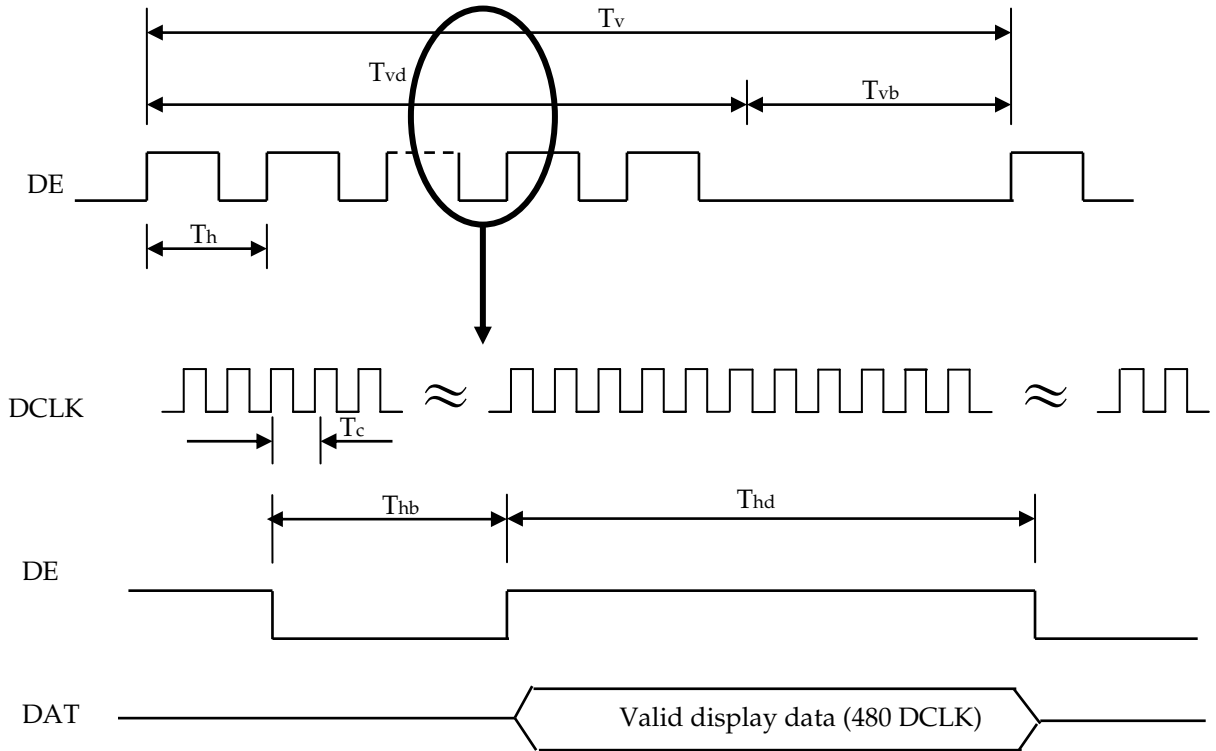
Signal	Item	Symbol	Min.	Typ.	Max.	Unit	Note
Frequency	Data Clock	$1/Tc$	70	74.25	80	MHZ	(1)
Frame Rate	QFHD Mode	$F_r$	45	60	63	Hz	(5),(6)
Horizontal Frequency		$F_h$	122.8	135	140	KHz	
Vertical Active Display Term (8 Lane,3840X2160 Active Area)	Total	$T_v$	2200	2250	2790	Th	$T_v=T_{vd}+T_{vb}$
	Display	$T_{vd}$	2160				
	Blank	$T_{vb}$	40	90	630	Th	
Horizontal Active Display Term (8 Lane,3840X2160 Active Area)	Total	$T_h$	530	550	570	$T_c$	$T_h=T_{hd}+T_{hb}$
	Display	$T_{hd}$	480				
	Blank	$T_{hb}$	50	70	90	$T_c$	

Note (1) Please make sure the range of pixel clock has follow the below equation :

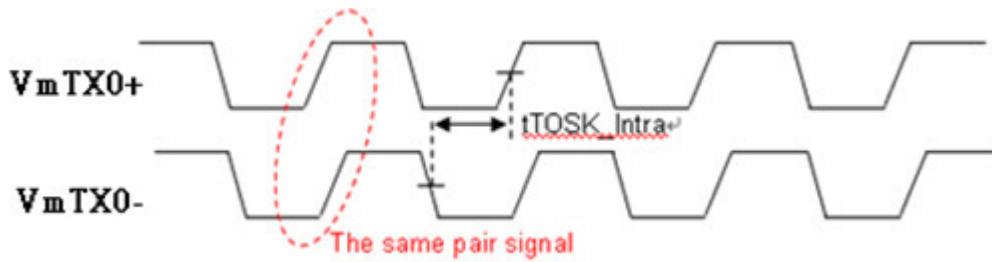
$$F_{clk}(max) \geq Fr \times Tv \times Th$$

$$Fr \times Tv \times Th \geq F_{clk}(min)$$

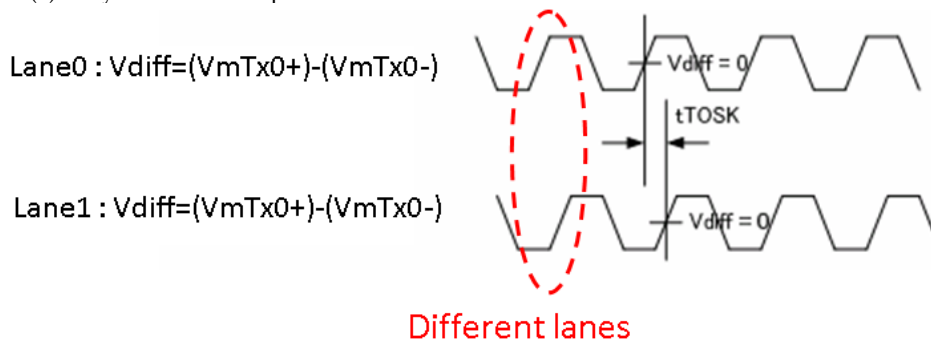
**INPUT SIGNAL TIMING DIAGRAM**



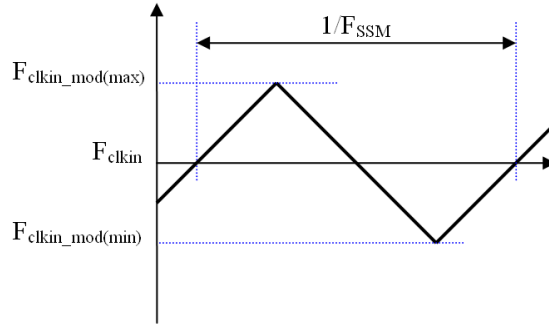
Note (2) V-by-One HS Intra-pair Data skew(更新以下圖示)



Note (3) V-by-One HS Inter-pair skew.

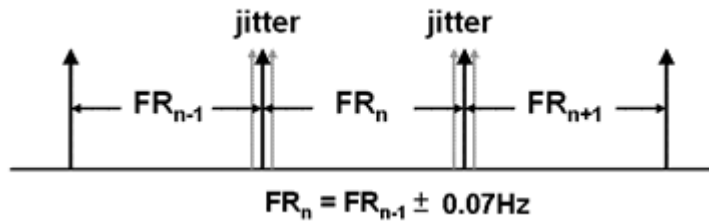


Note (4) The SSCG (Spread spectrum clock generator) is defined as below figures.



Note (5) For converter reference signals, the frame-to-frame jitter of the input frame rate is defined as the above figures.  $FR_n = FR_{n-1} \pm 1.8\%$

Note (6) For converter reference signals, The setup of the frame rate jitter  $> 1.8\%$  may result in the cosmetic LED backlight symptom.





5.2 TIMING DRAGRAM

5.2.1 V by One Input Signal Timing Diagram

The eye diagram is measured by the oscilloscope and receiver CDR characteristic must be emulated.

PLL bandwidth : 15MHz

Damping factor : 1.4

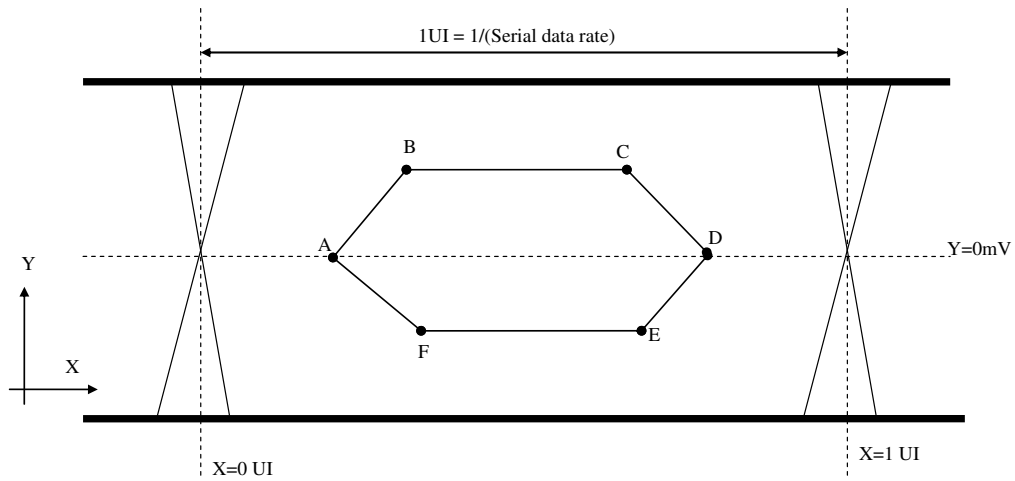


Table 1 Eye Mask Specification

	X [UI]	Y [mV]	Note
A	0.25	0	(1)
B	0.3	50	(1)
C	0.7	50	(1)
D	0.75	0	(1)
E	0.7	-50	(1)
F	0.3	-50	(1)

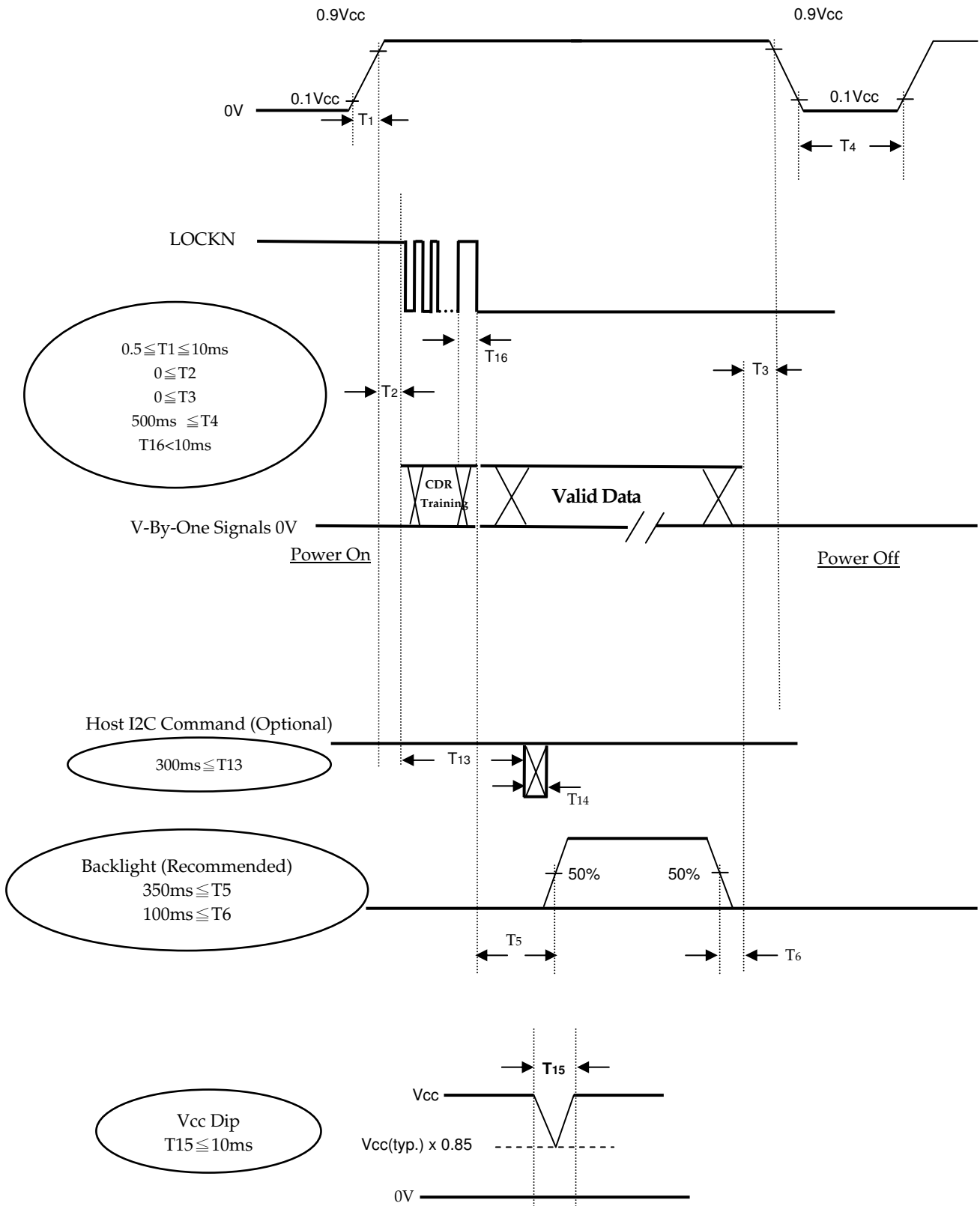
Note (1) Input levels of V-by-One HS signals are comes from “V-by-One HS Stander Ver.1.4”

5.3 Byte Length and Color mapping of V-by-One HS

Packer input & Unpacker output		30bpp RGB (10bit)
Byte 0	D[0]	R[2]
	D[1]	R[3]
	D[2]	R[4]
	D[3]	R[5]
	D[4]	R[6]
	D[5]	R[7]
	D[6]	R[8]
	D[7]	R[9]
Byte 1	D[8]	G[2]
	D[9]	G[3]
	D[10]	G[4]
	D[11]	G[5]
	D[12]	G[6]
	D[13]	G[7]
	D[14]	G[8]
	D[15]	G[9]
Byte 2	D[16]	B[2]
	D[17]	B[3]
	D[18]	B[4]
	D[19]	B[5]
	D[20]	B[6]
	D[21]	B[7]
	D[22]	B[8]
	D[23]	B[9]
Byte 3	D[24]	X
	D[25]	X
	D[26]	B[0]
	D[27]	B[1]
	D[28]	G[0]
	D[29]	G[1]
	D[30]	R[0]
	D[31]	R[1]

5.4 POWER ON/OFF SEQUENCE

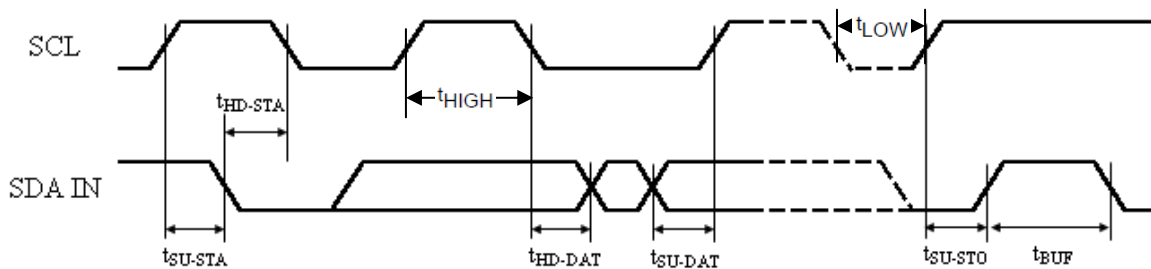
To prevent a latch-up or DC operation of LCD module, the power on/off sequence should be as the diagram below



- Note (1) The supply voltage of the external system for the module input should follow the definition of Vcc.
- Note (2) Apply the LED voltage within the LCD operation range. When the backlight turns on before the LCD operation or the LCD turns off before the backlight turns off, the display may momentarily become abnormal screen.
- Note (3) In case of Vcc is in off level, please keep the level of input signals on the low or high impedance besides LOCKN. If  $T2 < 0$ , that maybe cause electrical overstress failure.
- Note (4) T4 should be measured after the module has been fully discharged between power off and on period.
- Note (5) Interface signal shall not be kept at high impedance when the power is on.
- Note (6) Vcc must decay smoothly when power-off.
- Note (7) When the I2C Command is after backlight turns on, the display may momentarily become abnormal screen.
- Note (8) T16 , V-by-One signals shall be stabilized and follows timing specification which defined by section 5.1&5.2

**5.5 I2C timing SPEC**

Symbol	Parameter	Min.	Max.	Unit
$f_{SCL}$	SCL clock frequency		400	KHz
$t_{SU-STA}$	Start setup time	600	-	ns
$t_{HD-STA}$	Start hold time	600	-	ns
$t_{SU-DAT}$	Data setup time	200	-	ns
$t_{HD-DAT}$	Data hold time	200	-	ns
$t_{SU-STO}$	Stop setup time	600	-	ns
$t_{LOW}$	SCL clock pulse width low	1300	-	ns
$t_{HIGH}$	SCL clock pulse width high	600	-	ns
$t_{BUF}$	Time between Stop condition and next Start condition	1300	-	ns

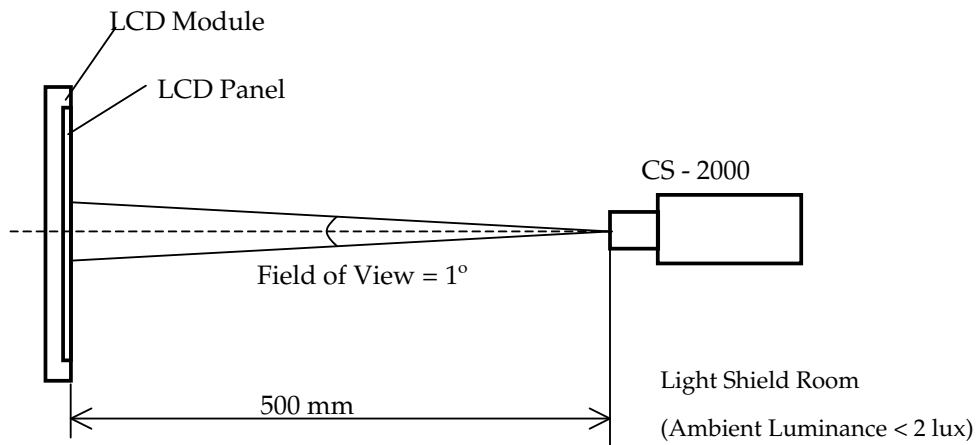


6. OPTICAL CHARACTERISTICS

6.1 TEST CONDITIONS

Item	Symbol	Value	Unit
Ambient Temperature	Ta	25±2	°C
Ambient Humidity	Ha	50±10	%RH
Supply Voltage	V <sub>CC</sub>	12±1.2	V
Input Signal	According to typical value in "3. ELECTRICAL CHARACTERISTICS"		
Vertical Frame Rate	Fr	60	Hz

The LCD module should be stabilized at given temperature for 1 hour to avoid abrupt temperature change during measuring in a windless room.



6.2 OPTICAL SPECIFICATIONS

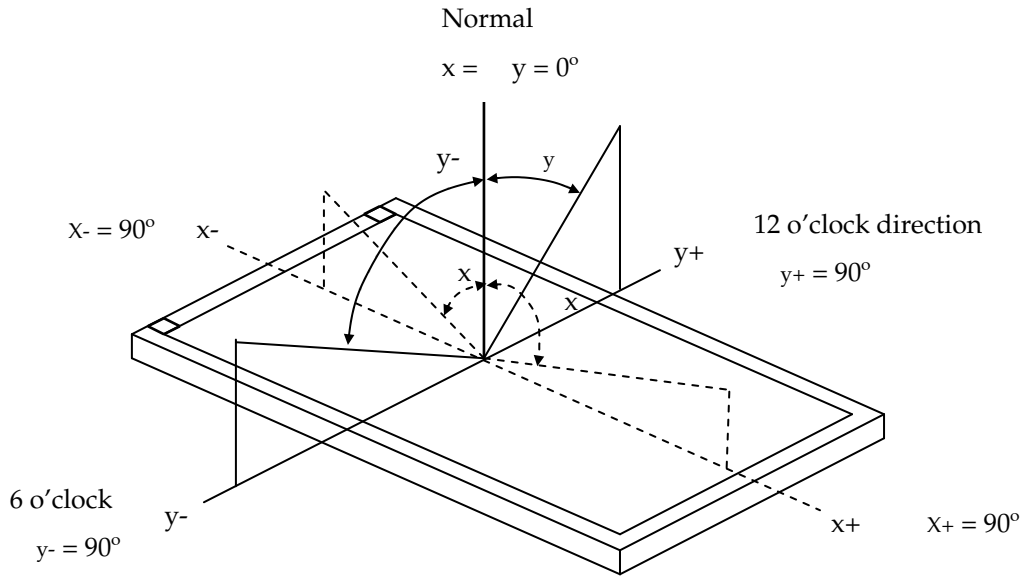
The relative measurement methods of optical characteristics are shown in 7.2. The following items should be measured under the test conditions described in 7.1 and stable environment shown in 7.1.

Item		Symbol	Condition	Min.	Typ.	Max.	Unit	Note					
Contrast Ratio		CR	$\theta_x=0^\circ, \theta_y=0^\circ$ Viewing angle at normal direction	3360	5000	-	-	Note (2)					
Response Time		Gray to gray			9.5	19	ms	Note (3)					
Center Luminance of White		$L_C$		440	550	-	cd/m <sup>2</sup>	Note (4)					
White Variation		$\delta W$				1.3	-	Note (6)					
Cross Talk		CT		-		4	%	Note (5)					
Color Chromaticity	Red	R <sub>x</sub>		Typ.- 0.03	0.670	0.308	Typ.+ 0.03	-					
		R <sub>y</sub>						-					
	Green	G <sub>x</sub>						0.266		-			
		G <sub>y</sub>						0.655		-			
	Blue	B <sub>x</sub>						0.151		-			
		B <sub>y</sub>	0.052					-					
	White	W <sub>x</sub>	0.280					-					
		W <sub>y</sub>	0.290					-					
	Correlated color temperature							-		10000	-	K	
	Color Gamut		C.G.					-		88	-	%	NTSC
Viewing Angle	Horizontal	$\theta_{x+}$	CR $\geq$ 10	80	89	-	Deg.	(1)					
		$\theta_{x-}$		80	89	-							
	Vertical	$\theta_{y+}$		80	89	-							
		$\theta_{y-}$		80	89	-							



Note (1) Definition of Viewing Angle ( $\theta_x, \theta_y$ ) :

Viewing angles are measured by Conoscope Cono-80 (or Eldim EZ-Contrast 160R)



Note (2) Definition of Contrast Ratio (CR) :

The contrast ratio can be calculated by the following expression.

$$\text{Contrast Ratio (CR)} = \frac{\text{Surface Luminance of L1023}}{\text{Surface Luminance of L0}}$$

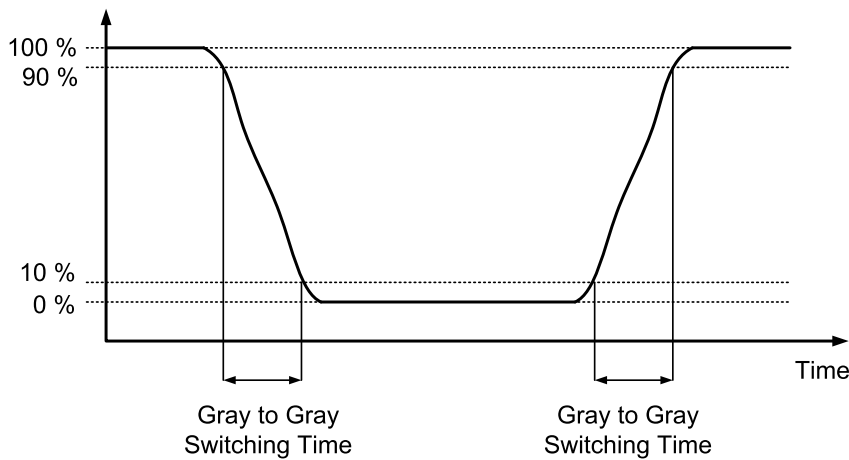
L1023: Luminance of gray level 1023

L0: Luminance of gray level 0

CR = CR (X), where CR (X) is corresponding to the Contrast Ratio of the point X at the figure in Note (6).

Note (3) Definition of Gray-to-Gray Switching Time (VA Model) :

**Optical Response**



The driving signal means the signal of gray level 0, 124, 252, 380, 508, 636, 764, 892 and 1023.

Gray to gray average time means the average switching time of gray level 0, 124, 252, 380, 508, 636, 764, 892 and 1023 to each other.

Note (4) Definition of Luminance of White ( $L_C$ ) :

Measure the luminance of gray level 1023 at center point.

$L_C = L(5)$ , where  $L(x)$  is corresponding to the luminance of the point X at the figure in Note (6).

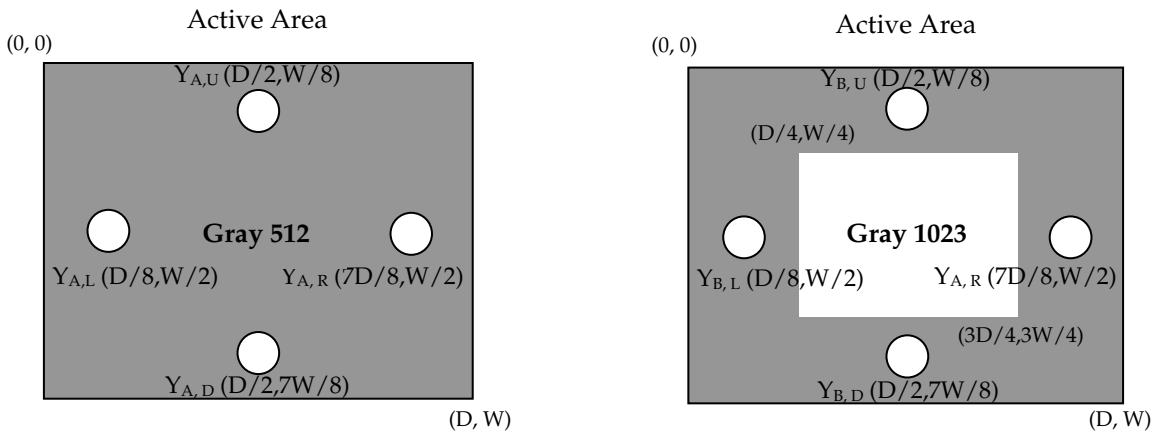
Note (5) Definition of Cross Talk (CT) : (VA Model)

$$CT = |Y_B - Y_A| / Y_A \times 100 (\%)$$

Where :

$Y_A$  = Luminance of measured location without gray level 1023 pattern (cd/m<sup>2</sup>)

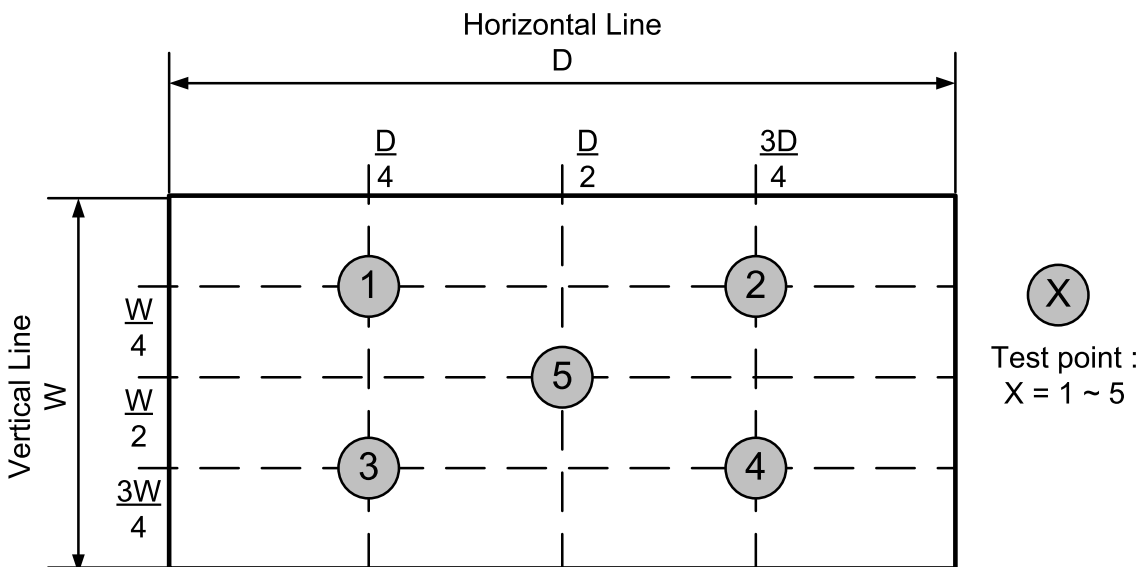
$Y_B$  = Luminance of measured location with gray level 1023 pattern (cd/m<sup>2</sup>)



Note (6) Definition of White Variation ( $\delta W$ ) :

Measure the luminance of gray level 1023 at 5 points

$$\delta W = \frac{\text{Maximum } [L(1), L(2), L(3), L(4), L(5)]}{\text{Minimum } [L(1), L(2), L(3), L(4), L(5)]}$$



## 7. PRECAUTIONS

### 7.1 ASSEMBLY AND HANDLING PRECAUTIONS

- [1] Do not apply rough force such as bending or twisting to the module during assembly.
- [2] Do not apply pressure or impulse to the module to prevent the damage of LCD panel and Backlight.
- [3] Bezel of Set can not press or touch the panel surface. It will make light leakage or scrape.
- [4] It should be attached to the system firmly using all mounting holes.
- [5] It is recommended to assemble or to install a module into the user's system in clean working areas. The dust and oil may cause electrical short or worsen the polarizer, do not press or scratch the surface harder than a HB pencil lead.
- [6] Use finger-stalls with soft gloves in order to keep display clean during the incoming inspection and assembly process.
- [7] Protection film for polarizer on the module should be slowly peeled off just before use so that the electrostatic charge can be minimized.
- [8] Do not disassemble the module.
- [9] Always follow the correct power-on sequence when the LCD module is turned on. This can prevent the damage and latch-up of the CMOS LSI chips.
- [10] Do not plug in or pull out the I/F connector while the module is in operation, pins of I/F connector should not be touched directly with bare hands. Do not adjust the variable resistor located on the module.
- [11] Use a soft dry cloth without chemicals for cleaning, because the surface of polarizer is very soft and easily scratched. Water, IPA (Isopropyl Alcohol) or Hexane are desirable cleaners. Do not use Ketone type materials (ex. Acetone), Ethyl alcohol, Toluene, Ethyl acid or Methyl chloride. It might permanent damage to the polarizer due to chemical reaction.
- [12] Moisture can easily penetrate into LCD module and may cause the damage during operation.
- [13] When storing modules as spares for a long time, the following precaution is necessary.
  - [13.1] Do not leave the module in high temperature, and high humidity for a long time. It is highly recommended to store the module with temperature from 0 to 35°C at normal humidity (under 70%) without condensation.
  - [13.2] The module shall be stored in dark place. Do not store the TFT-LCD module in direct sunlight or fluorescent light.
- [14] When ambient temperature is lower than 10°C, the display quality might be reduced. For example, the response time will become slow, and the starting voltage of LED will be higher than that of room temperature.

## 7.2 SAFETY PRECAUTIONS

To optimize PID module's lifetime and functions, operating conditions should be followed as below

[1] Normal operating condition

[1.1] Temperature :  $20\pm 15^{\circ}\text{C}$

[1.2] Humidity :  $55\pm 20\%$

[1.3] Well-ventilated place is suggested to set up PID module and system.

[1.4] Display pattern : regular switched patterns or moving pictures.

[2] Operation usage to protect against image sticking due to long-term static display.

[2.1] Suitable operating time : under 24 hours a day.

(\* The moving picture can be allowed for 24 hours a day)

[2.2] Liquid Crystal refresh time is required. Cycling display between 5 minutes' information (static) display and 10 seconds' moving image.

[2.3] Periodical display contents should be changed from static image to moving picture.

[2.3.1] Different background and image colors changed respectively, and changed colors periodically.

[2.3.2] Background and image with large different luminance displayed at the same time should be avoided.

[2.3.3] Periodical power-off the system for a while or screen saver is needed after long-term static display.

[2.3.4] Moving picture or black pattern is strongly recommended for screen saver.

[3] The startup voltage of a Backlight may cause an electrical shock while assembling with the converter. Do not disassemble the module or insert anything into the Backlight unit.

[4] Do not connect or disconnect the module in the "Power On" condition.

[5] Do not exceed the absolute maximum rating value. (supply voltage variation, input voltage variation, variation in part contents and environmental temperature...) Otherwise the module may be damaged.

[6] If the liquid crystal material leaks from the panel, it should be kept away from the eyes or mouth. In case of contact with hands, skin or clothes, it has to be washed away thoroughly with soap.

[7] Module should be turned clockwise (regular front view perspective) when used in portrait mode.

[8] Ultra-violet ray filter is necessary for outdoor operation.

[9] Only when PID module is operated under right operating conditions, lifetime in this spec can be guaranteed. After the module's end of life, it is not harmful in case of normal operation and storage.

**7.3 SAFETY STANDARDS**

The LCD module should be certified with safety regulations as follows:

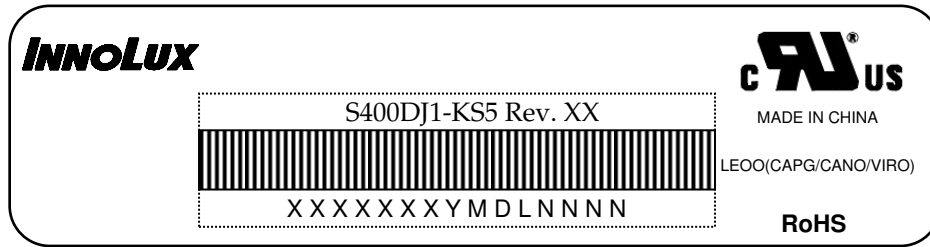
Regulatory	Item	Standard
Information Technology equipment	UL	UL 60950-1,2nd Ed, 2014
	cUL	CSA C22.2 No.60950-1-07, 2nd Ed,2014-10
	CB	IEC60950-1:2005+ A1:2009+ A2:2013 / EN60950-1:2006+ A11:2009+ A1:2010+ A12:2011+ A2:2013
Audio/Video Apparatus	UL	UL 60065, 7th Edition, 2013
	cUL	CAN/CSA-C22.2 No. 60065-03, 1st Edition + A1:2006 + A2:2012
	CB	IEC 60065:2001 (Seventh Edition)+ A1:2005+A2:2010 / EN60065:2002+ A1:2006+ A11:2008+ A2:2010+ A12:2011

If the module displays the same pattern for a long period of time, the phenomenon of image sticking may be occurred.

8. DEFINITION OF LABELS

8.1 MODULE LABEL

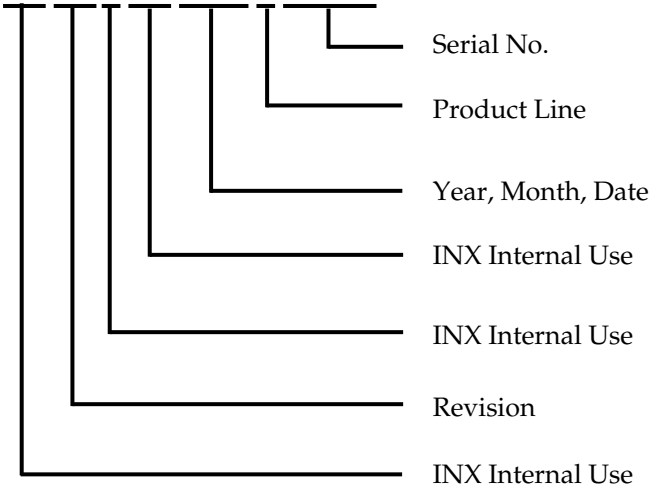
The barcode nameplate is pasted on each module as illustration, and its definitions are as following explanation.



Model Name: S400DJ1-KS5

Revision: Rev. XX, for example: A0, A1... B1, B2... or C1, C2...etc.

Serial ID: X X X X X X Y M D L N N N N



Serial ID includes the information as below :

Manufactured Date:

Year : 2010=0, 2011=1, 2012=2...etc.

Month : 1~9, A~C, for Jan. ~ Dec.

Day : 1~9, A~Y, for 1st to 31st, exclude I ,O, and U.

Revision Code: Cover all the change

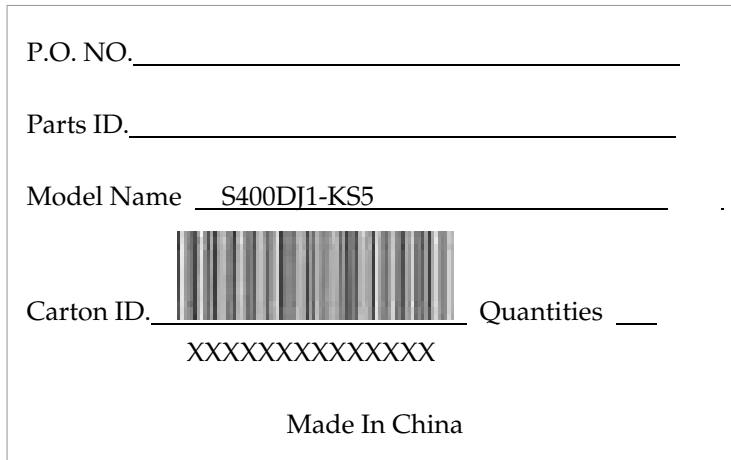
Serial No.: Manufacturing sequence of product

Product Line: 1→Line1, 2→Line 2, ...etc.



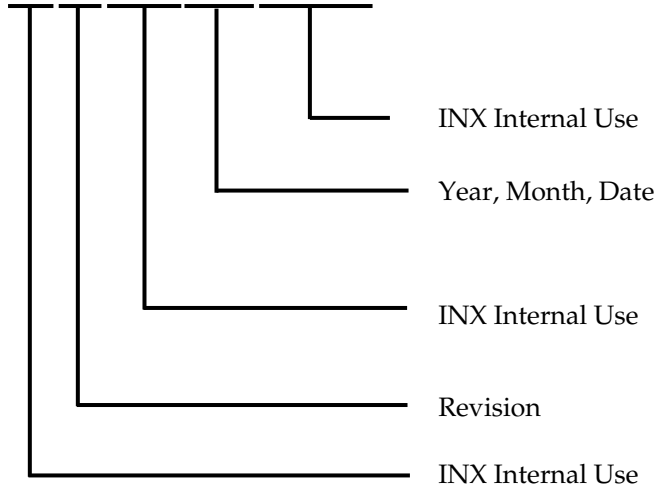
8.2 CARTON LABEL

The barcode nameplate is pasted on each box as illustration, and its definitions are as following explanation.



Model Name: S400DJ1-KS5

Carton ID: X X X X X X Y M D X X X X



Serial ID includes the information as below :

Manufactured Date:

Year: 2010=0, 2011=1, 2012=2...etc.

Month: 1~9, A~C, for Jan. ~ Dec.

Day: 1~9, A~Y, for 1st to 31st, exclude I ,O, and U.

Revision Code: Cover all the change

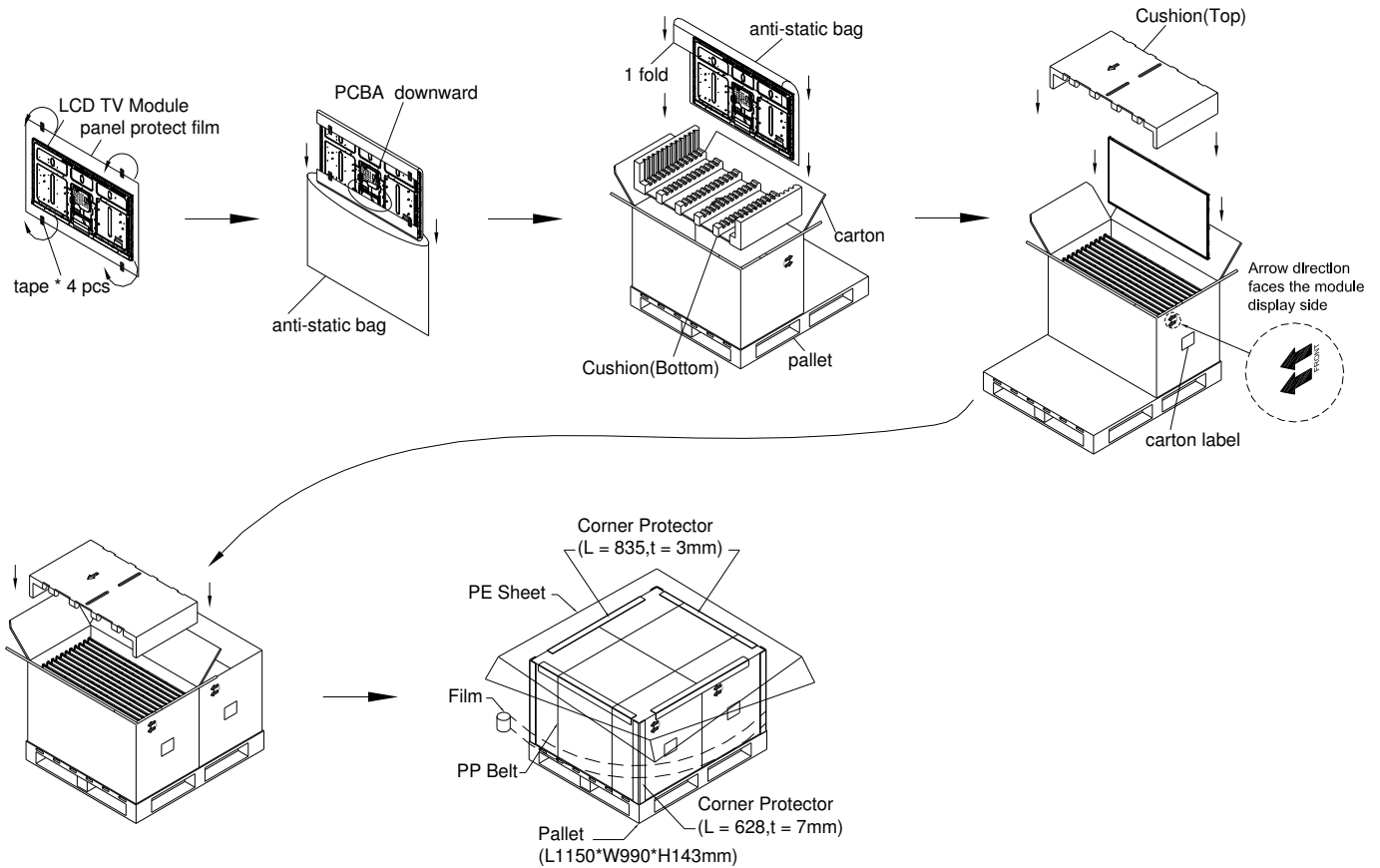
**9. PACKAGING**

**9.1 PACKAGING SPECIFICATIONS**

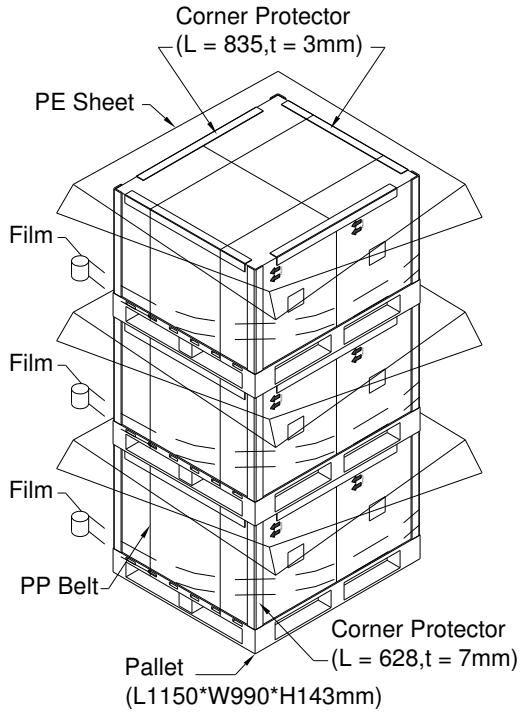
- (1) 12 LCD TV modules / 1 Box
- (2) Box dimensions : 975(L) X 567 (W) X 625 (H)
- (3) Weight: approximately 101.5 Kg

**9.2 PACKAGING METHOD**

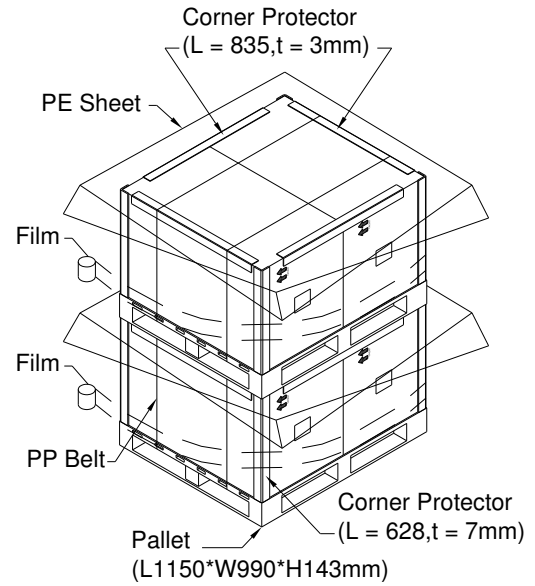
Packaging method is shown in following figures.



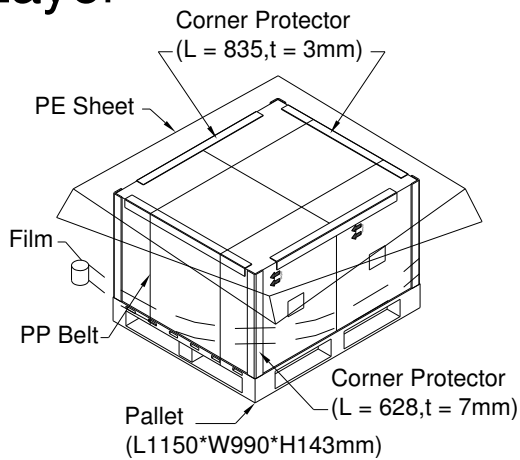
Sea / Land Transportation  
(40ft HQ Container)  
1+1+1 Layer



Sea / Land Transportation  
(40ft Container)  
1+1 Layer

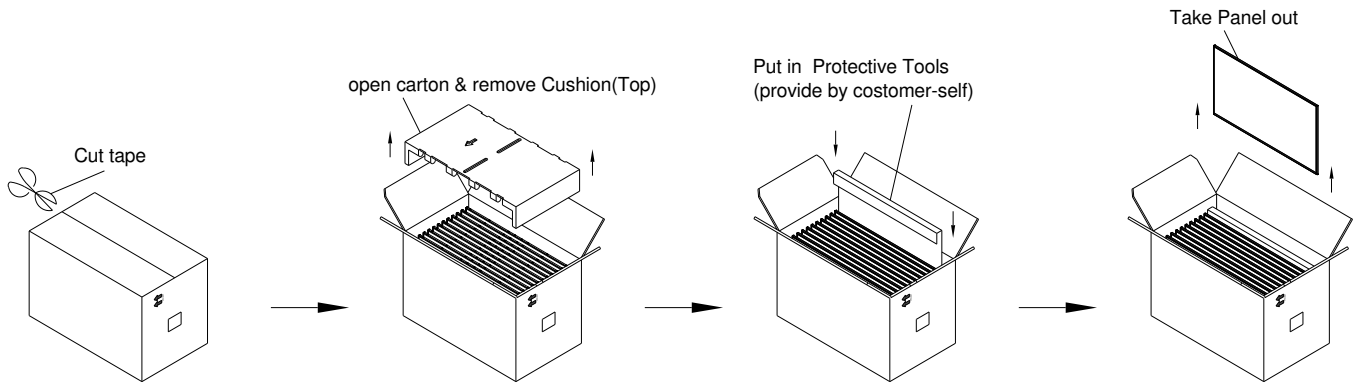


Air Transportation  
1 Layer



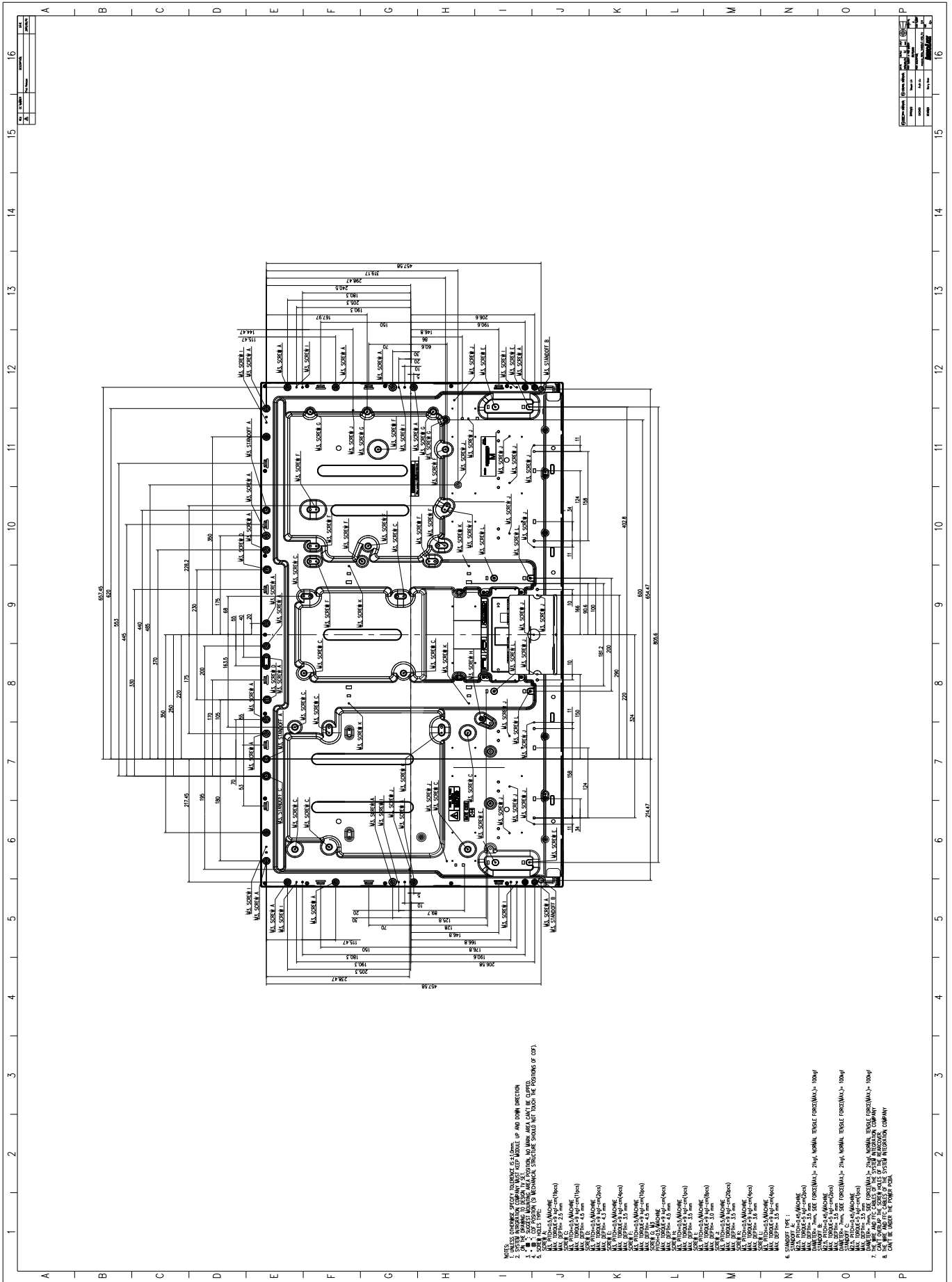
9.3 UN-PACKAGING METHOD

Un-packaging method is shown in following figures.















ALL TECHNOLOGIES. ALL COMPETENCIES. ONE SPECIALIST.



DATA MODUL AG  
Landsberger Straße 322 DE-  
80687 Munich  
Phone: +49-89-56017-0

DATA MODUL WEIKERSHEIM GMBH  
Lindenstraße 8  
DE-97990 Weikersheim Phone:  
+49-7934-101-0



More information and worldwide locations can be found at

[www.data-modul.com](http://www.data-modul.com)