



SPECIFICATION

ETP-MB-MER4050REBG Controller Series

Version: 1.0
Date: 14.05.19

Note: This specification is subject to change without prior notice

ETP-MB-MER4050REBG Versions:

12010624- ETP-MB-MER4050REBG-02

- 1x ETP-MB-MER4050REBG (5 Wire) RS232 Control Board Only
- 1x ETP-CB-SXR00 – RS232 Cable
- 1x ETP-CB-5XN00 – 5 pin Flat Cable

ETP-MB-MER4050REBG



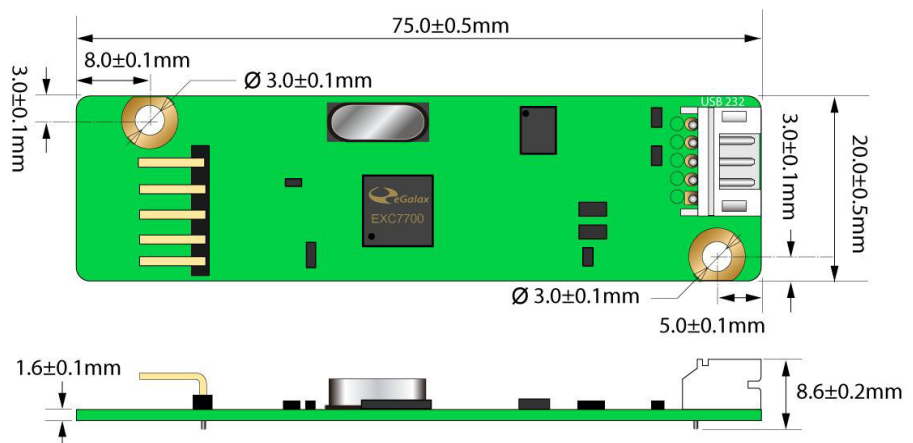
禾瑞亞科技股份有限公司
eGalax_eMPIA Technology Inc.

5-Wire RS232 Touch Panel Controller

eGalax_eMPIA launched touch control board to meet latest Restriction of Hazardous Substances (RoHS) Directive. This touch panel controller provides the optimistic performance of your analog resistive touch panels for 5 wire models. It communicates with PC system directly through RS232 connector. You can see how superior the design is in sensitivity、accuracy and friendly operation. The touch panel driver emulates mouse left and right button function and supports operation systems as following.

OS	Version	Interfaces
Windows	Windows 7, Vista, XP, 2000, ME, 98 Windows CE (up to 7.0) Windows Embedded Windows XP Tablet PC edition	RS232/USB
Windows	Windows NT4, 95	RS232
Linux	Supports Kernel 2.4.x / 2.6.x / 3.x with XFree86 4.x / xorg (up to X server 1.11.x). Supports most of the Linux distribution 32/64 bit versions, Including: CentOS, Debian, Fedora, Gentoo, Mandrake(Mandriva), Moblin(Meego), Red Hat, Ubuntu, Slackware, SuSE(openSuSE) etc.	RS232/USB
	Android (up to 4.x)	RS232/USB
DOS	DOS 6.22	RS232
Mac	Mac OS9, Mac OS X (Power PC, Intel CPU)	USB
QNX	QNX RTOS v6.3	RS232/USB

Controller:



ETP-MB-MER4050REBG

Specifications:

5wire Type Controller	
Circuit Board Dimension	20mm x 75mm (0.79inches x 2.95inches)
Power Requirements	D.C.+5V (100mA typical,50mV peak to peak maximum ripple and noise)
Operating Temperature	-25 to 85 °C
Storage Temperature	-25 to 85 °C
Relative Humidity	95% at 60 °C, RH Non-condensing
Interface	Bi-directional RS-232 serial communication
Protocol	No parity,8 data bits,1 stop bit,9600 baud(N,8,1,9600)
Resolution	2048×2048 resolution
Report rate	RS232: Max. 180 points/sec
Response time	Max. 20 ms
Attached Cable	RS232: 180cm shielded cable with 9-pin D-sub connector
Regulatory Approvals	FCC-B , CE
EMI	Unaffected by environmental EMI
Panel resistance	5 wire resistive model: 50 ~ 200 ohm (Pin to pin on same layer, Touch Resistance under 3k ohm)
Green Product	RoHS Compliant
MTBF	200,000 hrs

ETP-MB-MER4050REBG-02 full package:

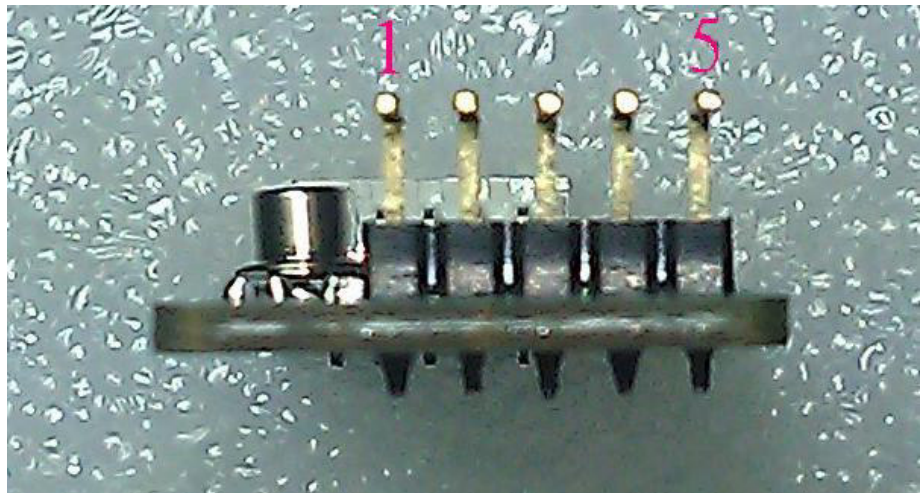
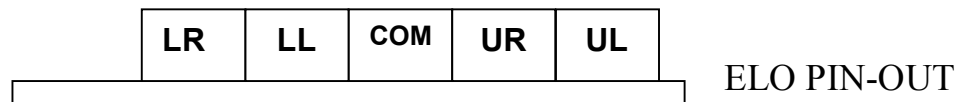
- (1) ETP-MB-MER4050REBG (5 wire control board)
- (2) ETP-CB-SXR00 (RS232 cable)
- (3) ETP-CB-5XN00 (5 pin Flat cable)

ETP-MB-MER4050REBG

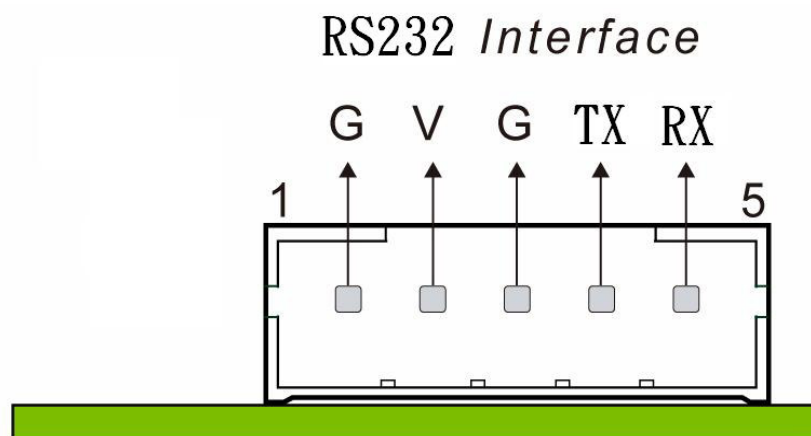
Controller Panel Pin Assignment:

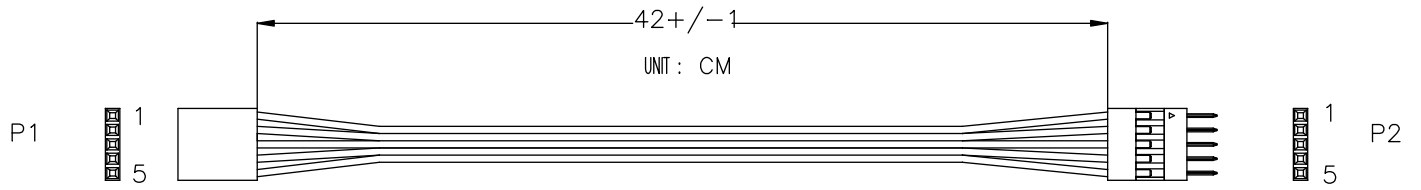
For 5-Wire Resistive Touch Panel

ELO type Pin-Out



Controller Wafer Pin Assignment:





MATERIAL LIST :

CABLE :

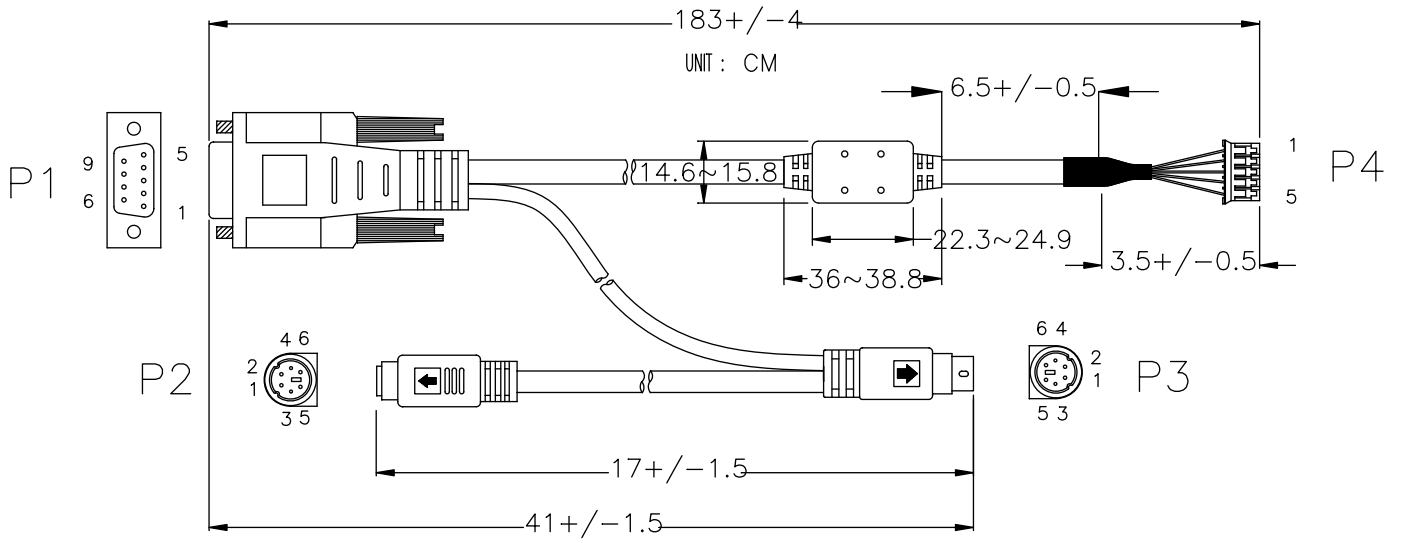
UL1007 26AWG 5C COLOR FLAT CABLE .

CONNECTOR :

P1 : 2.54 PITCH 5 PIN SINGLE ROW HOUSING .
P2 : 2.54 PITCH 5 PIN SINGLE ROW HOUSING .

PIN ASSIGNMENT

=====	
P1	P2
1	1
2	2
3	3
4	4
5	5
	BLACK
	BROWN
	RED
	ORANGE
	YELLOW



MATERIAL LIST:

CONNECTOR:

- P1: DB9 FEMALE PVC MOLDED COLOR : BEIGE.
- P2: MINI DIN 6PIN FEMALE PVC MOLDED COLOR : BEIGE.
- P3: MINI DIN 6PIN MALE PVC MOLDED COLOR : BEIGE.
- P4: 2.0PITCH 5PIN HOUSING COLOR : WHITE.

CABLE:

- UL2464 26#*4C+AL OD:4.5mm COLOR : BEIGE .
- NUL 28#*6C+AL OD:5.5mm COLOR : BEIGE.
- NUL 24#*2C+AL OD:3.0mm COLOR : BEIGE.

CORE:

- 12*5.6*20mm PVC MOLDED COLOR:BEIGE.

PIN ASSEMBLY

P4:	P1 :	P3 :	P2 :
5 DRAIN	SHELL	DRAIN	3 ORANGE
4 RED		RED	4 YELLOW
3 BLACK	5		5 GREEN
2 BROWN	2		6 BLACK
1 ORANGE	3		1 BROWN
	4		2 RED
	6		
	8		
	} SHORT		



ALL TECHNOLOGIES. ALL COMPETENCIES. ONE SPECIALIST.



DATA MODUL AG
Landsberger Straße 322
DE-80687 Munich
Phone: +49-89-56017-0

DATA MODUL WEIKERSHEIM GMBH
Lindenstraße 8
DE-97990 Weikersheim
Phone: +49-7934-101-0



More information and worldwide locations can be found at

www.data-modul.com