

TO : Customer

DATE : 2014.12.19

**GREEN C&C TECH Co.,Ltd
65, JINWISANDAN-RO, JINWI-MYEON
PYEONGTAEK-CITY, KYEONGGI-DO
KOREA 451-861
TEL : 82-31-373-3623~3625
FAX : 82-31-373-3610**

DOCUMENTATION FOR APPROVAL

**PRODUCT : LED BACKLIGHT DRIVER (RoHS)
MODEL NAME : GH549A(P2)
GCCT NAME : GCCT549PB**

APPROVAL	CHECKED	WRITTEN

PLEASE RETURN ONE DOCUMENT AFTER APPROVED SIGN.

GREEN C&C TECH	LED DRIVER SPECIFICATION GH549A(P2)	Publishing Date Reforming Date	2014.12.19
----------------	--	-----------------------------------	------------

NO	Date	REVISION	Page
REVISION HISTORY			

REV.														
Page														
REV.	0	0	0	0	0									
Page	1	2	3	4	5									
											Page Rev.	0	Page	1

GREEN C&C TECH	LED DRIVER SPECIFICATION GH549A(P2)	Publishing Date	2014.12.19
		Reforming Date	

1. APPLICATION

This Document Specified The Detailed Product Requirement of LED driver
GH549A(P2)

2. SUITABLE LOAD

LCD MODULE : 1 Strings LED BLU TFT LCD

3. ELECTRICAL CHARATERISTICS

3.1. Absolute Maximum Ratings

Item	Symbol	Spec.	Unit	Remarks
Input Voltage 1	Vin	10.8~13.2	V	
Input Voltage 2	ON/OFF	5.25	V	
Operating Temperature	Top	-20~70	℃	
Storage Temperature	Tstg	-30~80	℃	
Relative Humidity	RH	80	%	

3.2. Control Signal

PIN No.	Symbol	Status	Action	Remarks
CN1 #2	ON/OFF	HIGH	LED - ON	2.4 ~ 5.25V
		LOW	LED - OFF	0.8 V Max

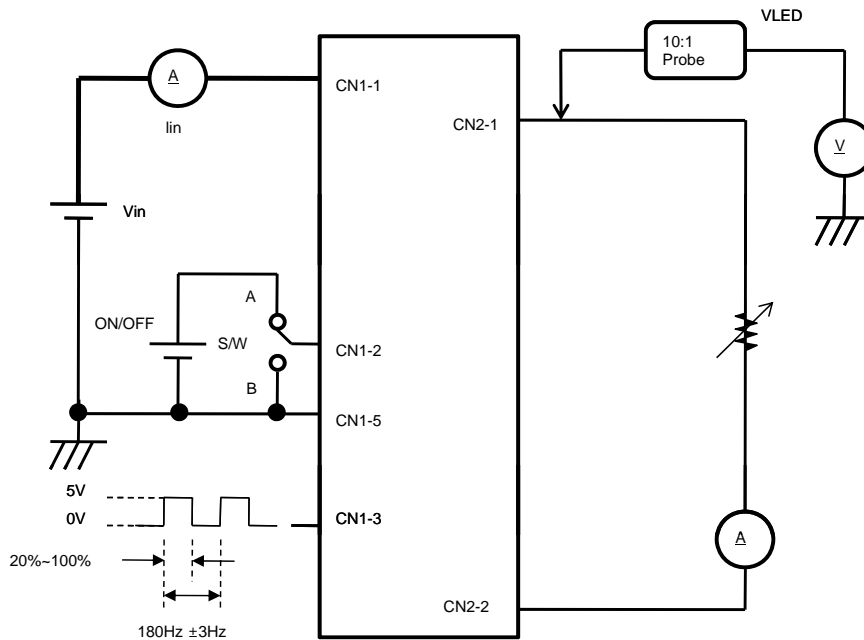
GREEN C&C TECH	LED DRIVER SPECIFICATION GH549A(P2)	Publishing Date	2014.12.19
		Reforming Date	

3.3. Output Characteristics

Item	Sym.	Condition	Min.	Typ.	Max.	Unit
Input Voltage	Vin	-	10.8	-	13.2	Vdc
Input Current	Iin	Vin=12V, Dim=100%	-	-	0.5	A
Output Current	Iout (Max)	Vin=12V, Dim=100%	165.0	180.0	195.0	mAmean
PWM Signal	Vpwm	High(ON)	2.4	-	5.0	V
	Vpwm	Low(OFF)	-0.3	-	0.8	
	Fpwm	-	100	-	300	Hz
	DUTY	Active High Level	20 (Min)	-	100 (Max)	%

3.4. Test Circuit

-. S/W : A --> BLU ON
B --> BLU OFF



GREEN C&C TECH	LED DRIVER SPECIFICATION GH549A(P2)	Publishing Date Reforming Date	2014.12.19
----------------	--	-----------------------------------	------------

4. INTERFACE

4.1. CN1 Connector (Input) : 12505WR-05A (YEONHO) or Equivalent

PIN No.	Symbol	Description
1	VIN	Voltage Input : 12V (Typ.)
2	ON/OFF	LED DRIVER ON/OFF Control
3	DIM	10 ~ 100%
4	N.C	No Connection
5	GND	Ground

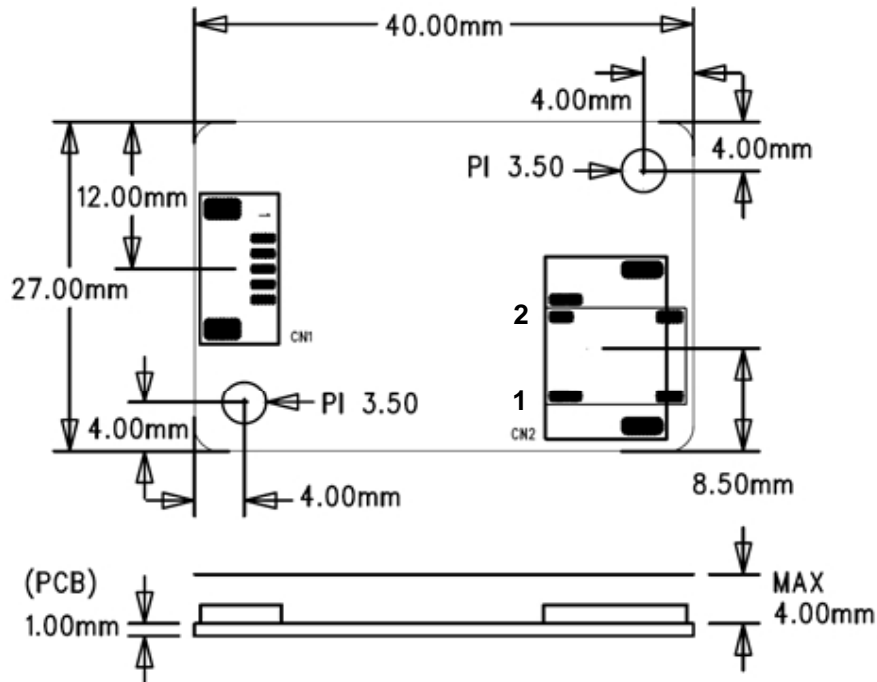
4.2. CN2 Connector (Output) : 20015WR-05A (YEONHO) or Equivalent

PIN No.	Symbol	Description
1	VLED	VLED
2	FB	Feedback (Return)

GREEN C&C TECH	LED DRIVER SPECIFICATION GH549A(P2)	Publishing Date	2014.12.19
		Reforming Date	

5. APPERANCE (Unit : mm)

(Tolerance : +0.8mm, -0.2mm)



6. NOTATION OF LOT NUMBER

MARKING : BOTTOM

