



# SPECIFICATION

---



**TX18D212VM0BAA**

**7" - WXGA - LVDS**

Version:

Date: 07.07.2023

Note: This specification is subject to change without prior notice



FOR MESSRS : \_\_\_\_\_

DATE : Jul. 7<sup>th</sup>,2023

## CUSTOMER'S ACCEPTANCE SPECIFICATIONS

# TX18D212VM0BAA

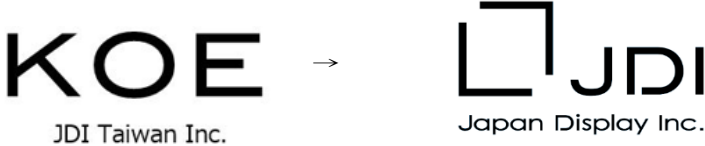
### Contents

No.	ITEM	SHEET No.	PAGE
1	COVER	7B64PS 2701-TX18D212VM0BAA-5	1-1/1
2	RECORD OF REVISION	7B64PS 2702-TX18D212VM0BAA-5	2-1/1
3	GENERAL DATA	7B64PS 2703-TX18D212VM0BAA-5	3-1/1
4	ABSOLUTE MAXIMUM RATINGS	7B64PS 2704-TX18D212VM0BAA-5	4-1/1
5	ELECTRICAL CHARACTERISTICS	7B64PS 2704-TX18D212VM0BAA-5	5-1/2~2/2
6	OPTICAL CHARACTERISTICS	7B64PS 2705-TX18D212VM0BAA-5	6-1/2~2/2
7	BLOCK DIAGRAM	7B64PS 2706-TX18D212VM0BAA-5	7-1/1
8	RELIABILITY TESTS	7B64PS 2707-TX18D212VM0BAA-5	8-1/1
9	LCD INTERFACE	7B64PS 2709-TX18D212VM0BAA-5	9-1/6~6/6
10	OUTLINE DIMENSIONS	7B64PS 2710-TX18D212VM0BAA-5	10-1/2~2/2
11	APPEARANCE STANDARD	7B64PS 2711-TX18D212VM0BAA-5	11-1/3~3/3
12	PRECAUTIONS	7B64PS 2712-TX18D212VM0BAA-5	12-1/2~2/2
13	DESIGNATION OF LOT MARK	7B64PS 2713-TX18D212VM0BAA-5	13-1/1

ACCEPTED BY: \_\_\_\_\_

PROPOSED BY: Oblack Tsai

## 2. RECORD OF REVISION

DATE	SHEET No.	SUMMARY									
Jun.29,'22	7B64PS 2713- TX18D212VM0BAA-2 Page 13-1/1	13. DESIGNATION of LOT MARK Added : <table border="1"> <thead> <tr> <th>REV No.</th> <th>ITEM</th> <th>REMARKS</th> </tr> </thead> <tbody> <tr> <td>A</td> <td>-</td> <td>-</td> </tr> <tr> <td>B</td> <td>LED Driver IC Changed</td> <td>PCN1042</td> </tr> </tbody> </table>	REV No.	ITEM	REMARKS	A	-	-	B	LED Driver IC Changed	PCN1042
REV No.	ITEM	REMARKS									
A	-	-									
B	LED Driver IC Changed	PCN1042									
Feb.01,'23	7B64PS 2701- TX18D212VM0BAA-3 Page 1-1/1 7B64PS 2713- TX18D212VM0BAA-3 Page 13-1/1	Company logo changed : 									
Mar.23,'23	7B64PS 2708- TX18D212VM0BAA-4 Page 8-1/1	8. RELIABILITY TESTS Revised <table border="1"> <thead> <tr> <th>Test Item</th> <th>Condition</th> </tr> </thead> <tbody> <tr> <td>Vibration</td> <td>2) 10~200 Hz → 20~300 Hz 3) 5G → 6.8G</td> </tr> </tbody> </table>	Test Item	Condition	Vibration	2) 10~200 Hz → 20~300 Hz 3) 5G → 6.8G					
Test Item	Condition										
Vibration	2) 10~200 Hz → 20~300 Hz 3) 5G → 6.8G										
Jul.7,'23	7B64PS 2708- TX18D212VM0BAA-5 Page 8-1/1	8. RELIABILITY TESTS Revised <table border="1"> <thead> <tr> <th>Test Item</th> <th>Condition</th> </tr> </thead> <tbody> <tr> <td>High Temperature &amp; Humidity</td> <td>40 °C &amp; 85%RH → 65 °C &amp; 85%RH</td> </tr> </tbody> </table>	Test Item	Condition	High Temperature & Humidity	40 °C & 85%RH → 65 °C & 85%RH					
Test Item	Condition										
High Temperature & Humidity	40 °C & 85%RH → 65 °C & 85%RH										

### 3. GENERAL DATA

#### 3.1 DISPLAY FEATURES

This module is a 7" WXGA of 16:9 format amorphous silicon TFT. The pixel format is vertical stripe and sub pixels are arranged as R (red), G (green), B (blue) sequentially. This display is RoHS compliant, COG (chip on glass) technology and LED backlight are applied on this display.

Part Name	TX18D212VM0BAA
Module Dimensions	164.4(W) mm x 105.0(H) mm x 13.5 (D) mm
LCD Active Area	152.45(W) mm x 91.47(H) mm
Pixel Pitch	0.1191(W) mm x 0.1191 (H) mm
Resolution	1280 x 3(RGB)(W) x 768(H) Dots
Color Pixel Arrangement	R, G, B Vertical Stripe
LCD Type	Transmissive Color TFT; Normally Black
Display Type	Active Matrix
Number of Colors	16.7M Colors (8-bit RGB)
Backlight	Light Emitting Diode (LED)
Weight	212 g
Interface	LVDS; 20 pins
Power Supply Voltage	3.3V for LCD; 12V for Backlight
Power Consumption	0.5W for LCD; 6.6W for Backlight
Viewing Direction	Super Wide Version (In-Plane Switching)

## 4. ABSOLUTE MAXIMUM RATINGS

Item	Symbol	Min.	Max.	Unit	Remarks
Supply Voltage	V <sub>DD</sub>	-0.3	4.6	V	-
Input Voltage of Logic	V <sub>I</sub>	-0.3	V <sub>DD</sub> +0.3	V	Note 1
Operating Temperature	T <sub>op</sub>	-40	85	°C	Note 2
Storage Temperature	T <sub>st</sub>	-40	90	°C	Note 2
Backlight Input Voltage	V <sub>LED</sub>	-	14	V	-

Note 1: The rating is defined for the signal voltages of the interface such as CLK and pixel data pairs.

Note 2: The maximum rating is defined as above based on the temperature of LCD surface which might be different from ambient temperature after assembling the panel into the application. Moreover, some temperature-related phenomenon as below needed to be noticed:

- Background color, contrast and response time would be different in temperatures other than 25°C.
- Operating under high temperature will shorten LED lifetime.

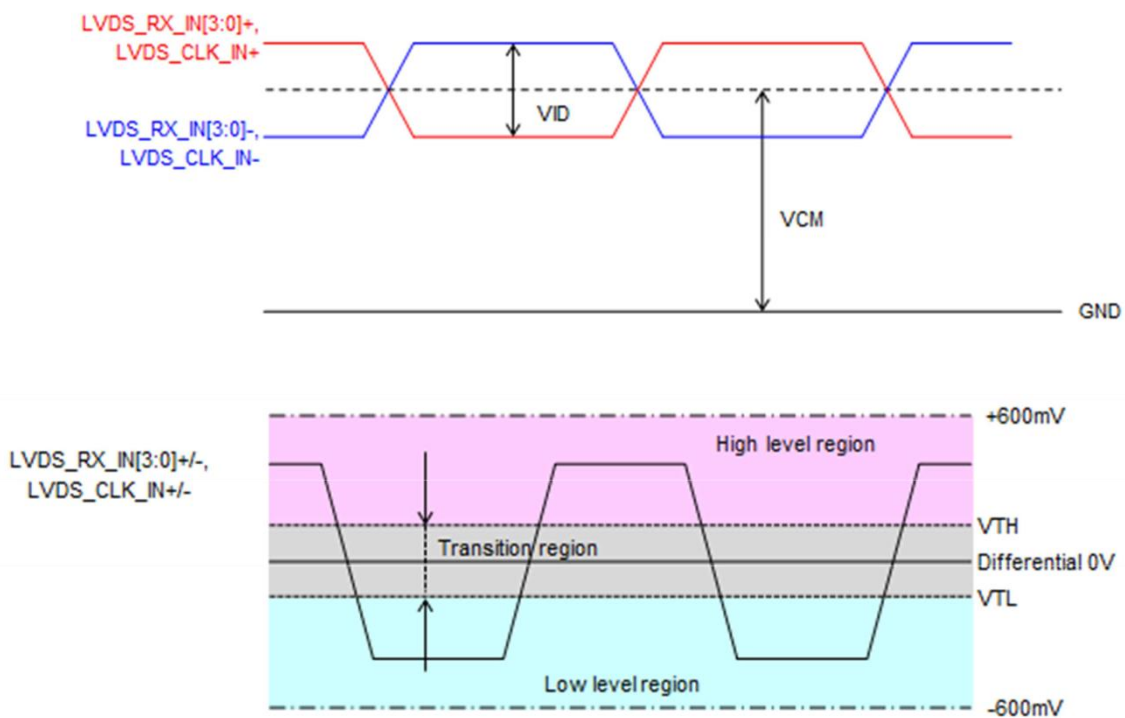
# 5. ELECTRICAL CHARACTERISTICS

## 5.1 LCD CHARACTERISTICS

$T_a = 25\text{ }^\circ\text{C}$ ,  $V_{SS} = 0\text{V}$

Parameter	Symbol	Condition	Min.	Typ.	Max.	Unit	Remarks
Power Supply voltage	$V_{DD}$	-	3.0	3.3	3.6	V	
Power Supply current	$I_{DD}$	-	-	150	400	mA	Image: White
Input Signal Voltage	$V_{IH}$	-	$0.8 \times V_{DD}$	-	$V_{DD}$	V	
	$V_{IL}$	-	0	-	$0.2 \times V_{DD}$	V	
LVDS input signal High Level threshold voltage	$V_{TH}$	$V_{CM}=1.25\text{V}$			+100	mV	
LVDS input signal Low Level threshold voltage	$V_{TL}$	$V_{CM}=1.25\text{V}$	-100			mV	
LVDS input signal Differential voltage	$V_{ID}$		+100		+600	mV	
LVDS input signal Common mode voltage	$V_{CM}$		1.125	1.25	1.375	V	
LVDS signal termination resistor	$Z_{ID}$		90	100	110	ohm	

Note 1: An all white check pattern is used when measuring  $I_{DD}$ . Moreover, 1.6A fuse is applied in the module for  $I_{DD}$ . For display activation and protection purpose, power supply is recommended larger than 4A to start the display and break fuse once any short circuit occurred.



## 5.2 BACKLIGHT CHARACTERISTICS

$T_a = 25^\circ\text{C}$

Item	Symbol	Condition	Min.	Typ.	Max.	Unit	Remarks
LED Input Voltage	$V_{LED}$	-	11.0	12.0	13.0	V	Note1
LED Forward Current (Dim Control)	$I_{LED}$	0V; 0% duty	-	550	660	mA	Note 2
		3.3VDC; 100% duty	-	20	30		
LED lifetime	-	$I_{LED} = 550\text{ mA}$	-	50K	-	hrs	Note 3

Note 1: As Fig. 5.1 shown, LED current is constant, 550 mA, controlled by the LED driver when applying 12V.

Note 2: Dimming function can be obtained by applying DC voltage or PWM signal from the display interface CN1. The recommended PWM signal is 1K ~ 10K Hz with 3.3V amplitude.

Note 3: The estimated lifetime is specified as the time to reduce 50% brightness by applying 550 mA at  $25^\circ\text{C}$ .

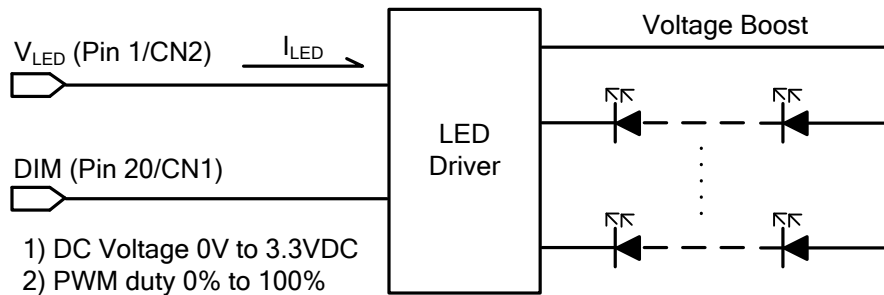


Fig 5.1

Note 4: By applying different  $I_{LED}$ , the estimated brightness and LED life time curves are shown as Fig 5.2 and Fig 5.3 for various environment use.

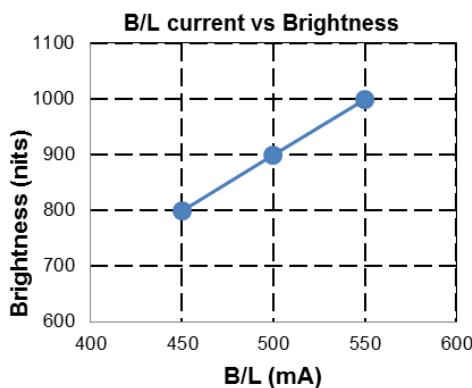


Fig 5.2 LED Current v.s. Brightness

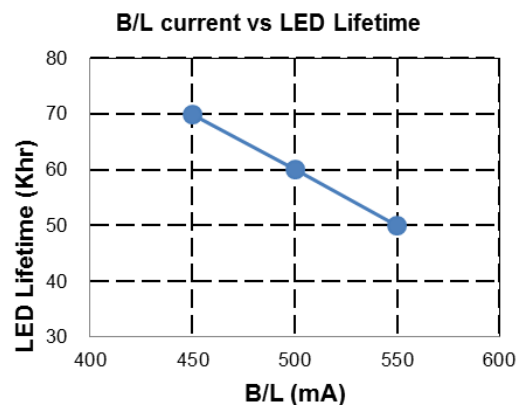


Fig 5.3 LED Current v.s. Lifetime

Note 5: The estimated  $V_{LED}$  range is defined to obtain  $I_{LED} = 550\text{mA}$ .

## 6. OPTICAL CHARACTERISTICS

The optical characteristics are measured based on the conditions as below:

- Supplying the signals and voltages defined in the section of electrical characteristics.
- The backlight unit needs to be turned on for 30 minutes.
- The ambient temperature is 25 °C .
- In the dark room less than 100 lx, the equipment has been set for the measurements as shown in Fig 6.1.

$$T_a = 25\text{ }^\circ\text{C}, VDD = 3.3V$$

Item	Symbol	Condition	Min.	Typ.	Max.	Unit	Remarks	
Brightness of White	-	$\phi = 0^\circ, \theta = 0^\circ$ , $I_{LED} = 550\text{ mA}$	800	1000	-	$\text{cd/m}^2$	Note 1	
Brightness Uniformity	-		70	-	-	%	Note 2	
Contrast Ratio	CR		700	1000	-	-	Note 3	
Response Time	$T_r + T_f$	$\phi = 0^\circ, \theta = 0^\circ$	-	-	25	ms	Note 4	
NTSC Ratio	-	$\phi = 0^\circ, \theta = 0^\circ$	-	72	-	%	-	
Viewing Angle	$\theta_x$	$\phi = 0^\circ, CR \geq 10$	-	85	-	Degree	Note 5	
	$\theta_{x'}$	$\phi = 180^\circ, CR \geq 10$	-	85	-			
	$\theta_y$	$\phi = 90^\circ, CR \geq 10$	-	85	-			
	$\theta_{y'}$	$\phi = 270^\circ, CR \geq 10$	-	85	-			
Color Chromaticity	Red	X	$\phi = 0^\circ, \theta = 0^\circ$	0.591	0.641	0.691	-	Note 6
		Y		0.280	0.330	0.380		
	Green	X		0.264	0.314	0.364		
		Y		0.565	0.615	0.665		
	Blue	X		0.101	0.151	0.201		
		Y		0.006	0.056	0.106		
	White	X		0.254	0.304	0.354		
		Y		0.261	0.311	0.361		

Note 1: The brightness is measured from the center point of the panel, P5 in Fig. 6.2, for the typical value.

Note 2: The brightness uniformity is calculated by the equation as below:

$$\text{Brightness uniformity} = \frac{\text{Min. Brightness}}{\text{Max. Brightness}} \times 100\%$$

which is based on the brightness values of the 9 points measured by BM-5 as shown in Fig. 6.2.

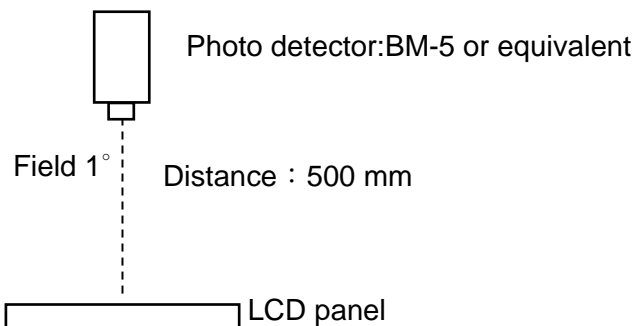


Fig. 6.1

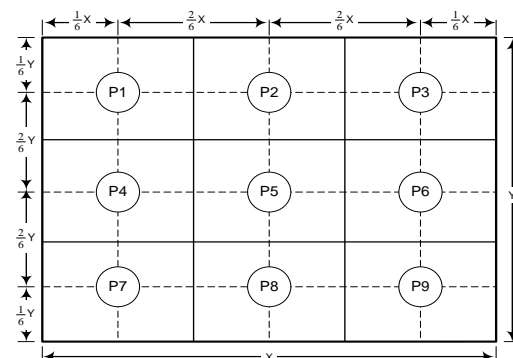


Fig. 6.2



Note 3: The Contrast Ratio is measured from the center point of the panel, P5, and defined as the following equation:

$$CR = \frac{\text{Brightness of White}}{\text{Brightness of Black}}$$

Note 4: The definition of response time is shown in Fig. 6.3. The rising time is the period from 10% brightness to 90% brightness when the data is from black to white. Oppositely, Falling time is the period from 90% brightness falling to 10% brightness.

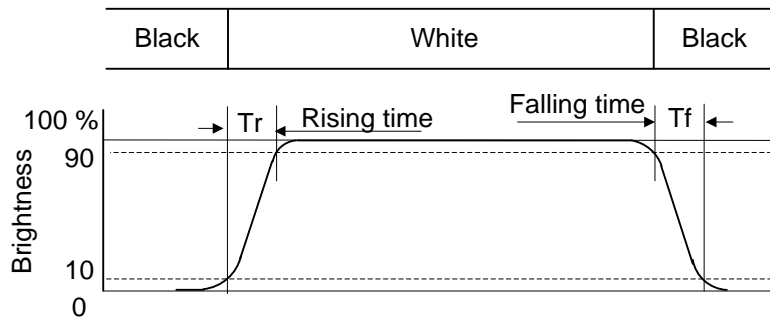


Fig.6.3

Note 5: The definition of viewing angle is shown in Fig. 6.4. Angle  $\phi$  is used to represent viewing directions, for instance,  $\phi = 270^\circ$  means 6 o'clock, and  $\phi = 0^\circ$  means 3 o'clock. Moreover, angle  $\theta$  is used to represent viewing angles from axis Z toward plane XY.

The display is super wide viewing angle version, so that the best optical performance can be obtained from every viewing direction.

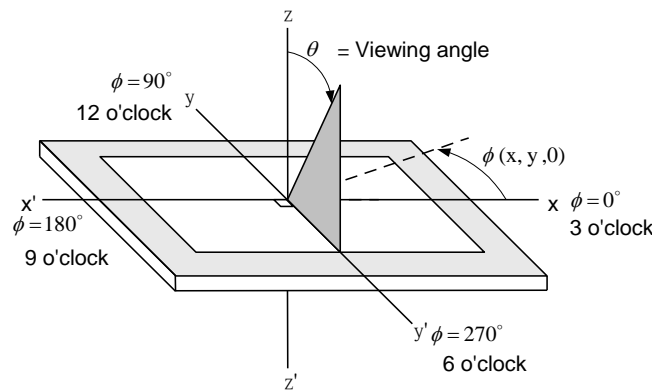
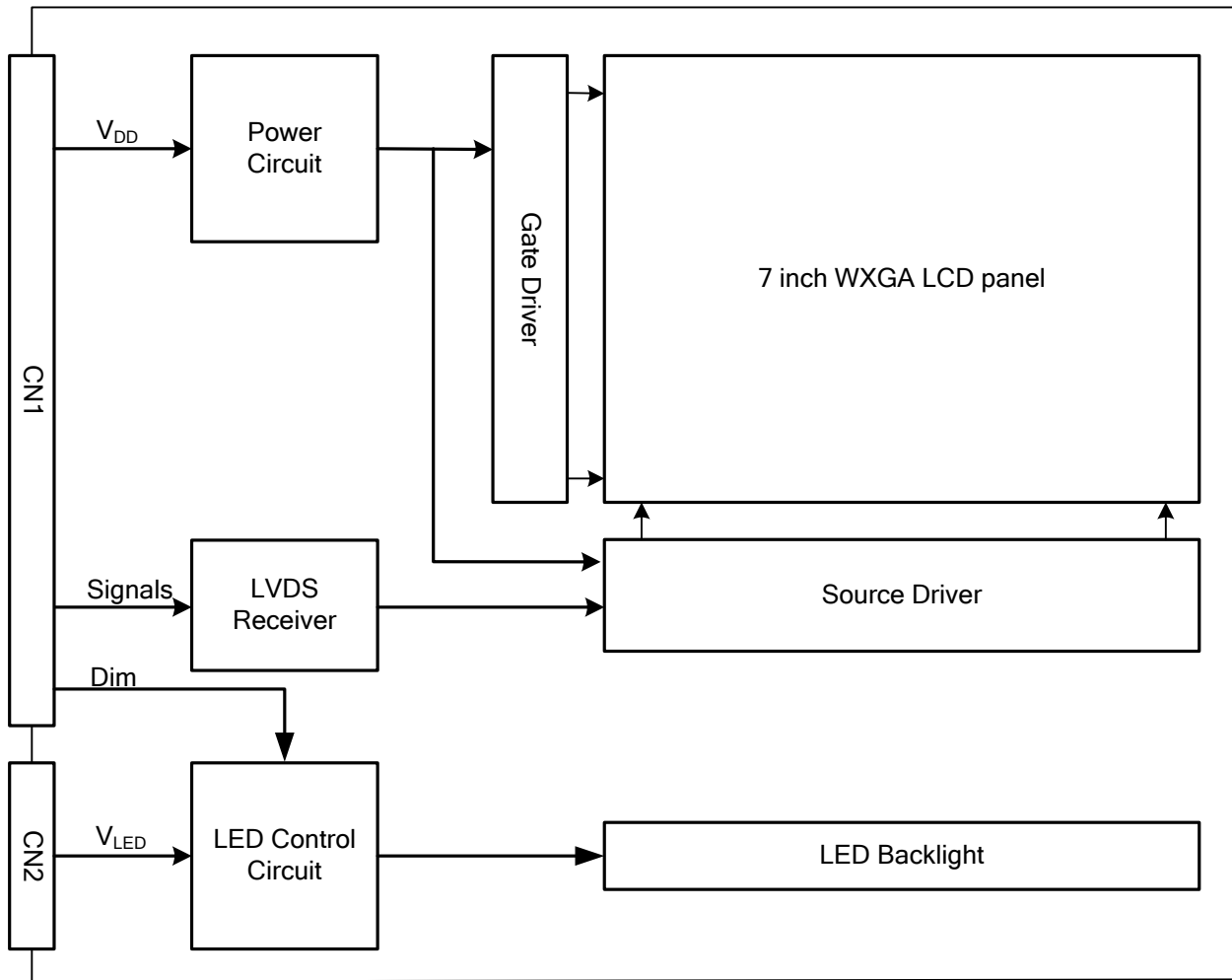


Fig 6.4

Note 6: The color chromaticity is measured from the center point of the panel, P5, as shown in Fig. 6.2.

## 7. BLOCK DIAGRAM



Note 1: Signals are CLK and pixel data pairs.

## 8. RELIABILITY TESTS

Test Item	Condition	
High Temperature	1) Operating 2) 85 °C	500 hrs
Low Temperature	1) Operating 2) -40 °C	500 hrs
High Temperature	1) Storage 2) 90 °C	500 hrs
Low Temperature	1) Storage 2) -40 °C	500 hrs
Heat Cycle	1) Operating 2) -40 °C ~85 °C 3) 3hrs~1hr~3hrs	500 hrs
Thermal Shock	1) Non-Operating 2) -40 °C ↔ 85 °C 3) 0.5 hr ↔ 0.5 hr	500 hrs
High Temperature & Humidity	1) Operating 2) 65 °C & 85%RH 3) Without condensation	500 hrs (Note 3)
Vibration	1) Non-Operating 2) 20~300 Hz 3) 6.8G 4) X, Y, and Z directions	1 hr for each direction
Mechanical Shock	1) Non-Operating 2) 10 ms 3) 80G 4) ±X, ±Y and ±Z directions	Once for each direction
ESD	1) Operating 2) Tip: 150 pF, 330 Ω 3) Air discharge for glass: ± 12KV 4) Contact discharge for metal frame: ± 15KV	1) Glass: 9 points 2) Metal frame: 8 points (Note4)

Note 1: Display functionalities are inspected under the conditions defined in the specification after the reliability tests.

Note 2: The display is not guaranteed for use in corrosive gas environments.

Note 3: Under the condition of high temperature & humidity, if the temperature is higher than 65°C, the humidity needs to be reduced as Fig. 8.1 shown.

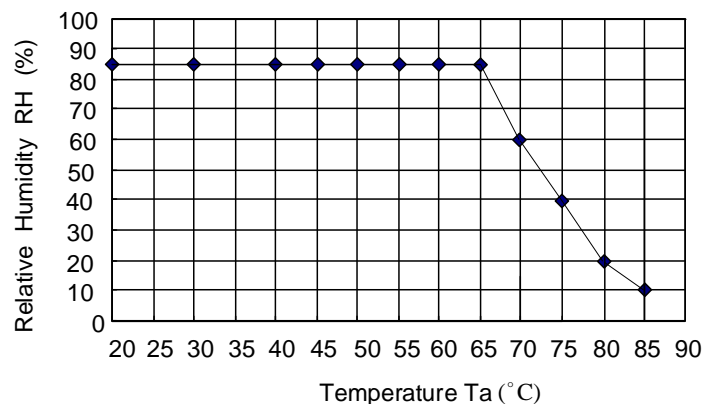


Fig. 8.1

Note 4: All pins of LCD interface (CN1) have been tested by ±100V contact discharge of ESD under non-operating condition.

## 9. LCD INTERFACE

### 9.1 INTERFACE PIN CONNECTIONS

The display interface connector (CN1) is FI-SEB20P-HF13E-E1500 made by JAE and pin assignment is as below:

Pin No.	Symbol	Signal	Pin No.	Symbol	Signal
1	V <sub>DD</sub>	Power Supply for Logic	11	IN2-	B2~B5, DE, VS, HS
2	V <sub>DD</sub>		12	IN2+	
3	LR	Horizontal Display mode Control	13	V <sub>SS</sub>	GND
4	UD	Vertical synchronous signal	14	CLK IN-	Pixel Clock
5	IN0-	R0~R5, G0	15	CLK IN+	
6	IN0+		16	V <sub>SS</sub>	GND
7	V <sub>SS</sub>	GND	17	IN3-	R6~R7, G6~G7, B6~B7
8	IN1-	G1~G5, B0~B1	18	IN3+	
9	IN1+		19	V <sub>SS</sub>	GND
10	V <sub>SS</sub>	GND	20	DIM	Note 2

Note 1: IN n- and IN n+ (n=0, 1, 2, 3), CLK IN- and CLK IN+ should be wired by twist-pairs or side-by-side FPC patterns, respectively.

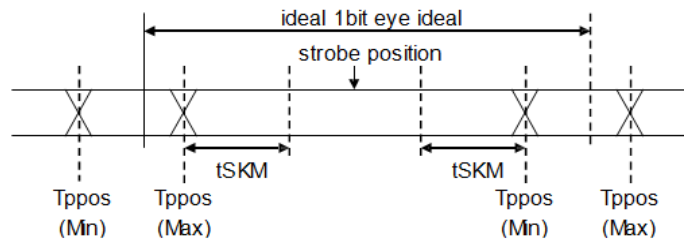
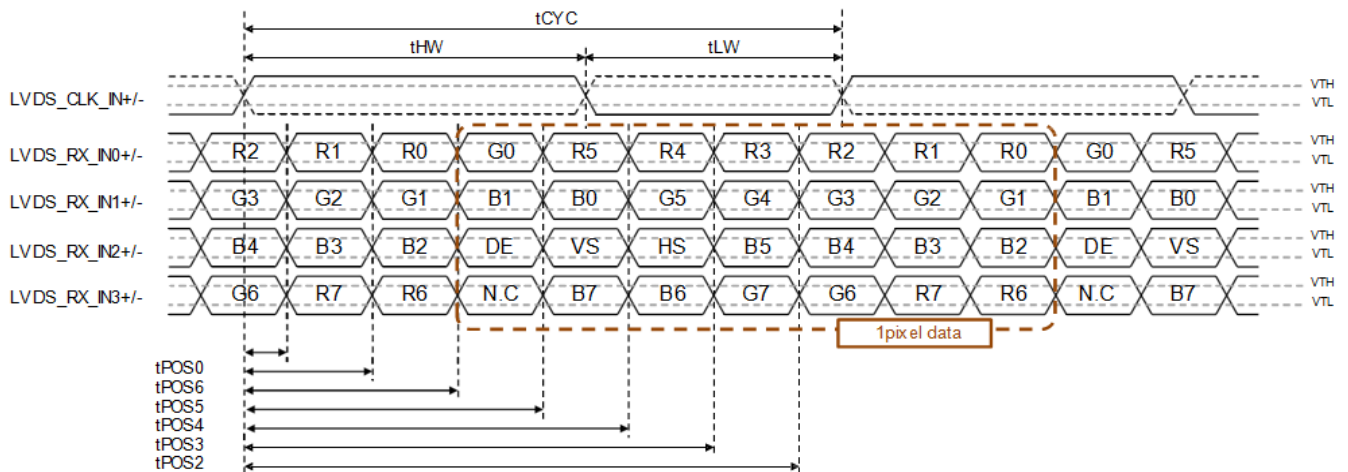
Note 2: Normal brightness: 0V or 0% PWM duty; Brightness control: 0V to 3.3V DC or 0% to 100% PWM duty.

Note 3: Please refer to [9.4 DISPLAY MODE CONTROL](#) for the setting methods of UD, LR function.

The backlight connector (CN2) is SM02 (8.0)B-BHS-1-TB(LF)(SN), and pin assignment is as below:

Pin No.	Signal	Signal
1	V <sub>LED</sub>	12VDC
2	GND	Ground

## 9.2 LVDS AC TIMING



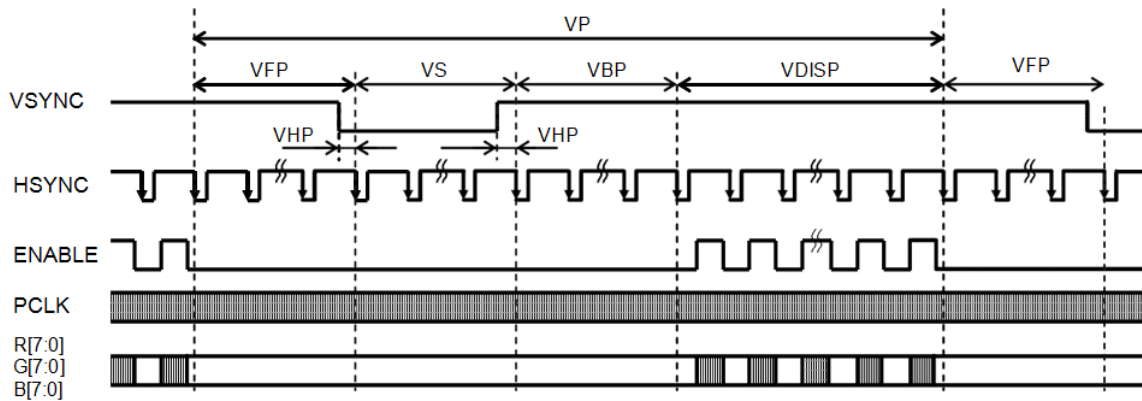
Signal	Symbol	Parameter	Min.	Typ.	Max.	Unit
CLK_P/N	tCYC	clock cycle time	14.3	14.9	15.6	ns
	tHW	clock "H" pulse width	0.4 x tCYC	0.5 x tCYC	0.6 x tCYC	ns
	tLW	clock "L" pulse width	0.4 x tCYC	0.5 x tCYC	0.6 x tCYC	ns
D[3:0]P/N,	tPOS1	tPOS1 position	- tSKM	0	+ tSKM	ns
	tPOS0	tPOS0 position	1/7 x tCYC - tSKM	1/7 x tCYC	1/7 x tCYC + tSKM	ns
	tPOS6	tPOS6 position	2/7 x tCYC - tSKM	2/7 x tCYC	2/7 x tCYC + tSKM	ns
	tPOS5	tPOS5 position	3/7 x tCYC - tSKM	3/7 x tCYC	3/7 x tCYC + tSKM	ns
	tPOS3	tPOS3 position	5/7 x tCYC - tSKM	5/7 x tCYC	5/7 x tCYC + tSKM	ns
	tPOS2	tPOS2 position	6/7 x tCYC - tSKM	6/7 x tCYC	6/7 x tCYC + tSKM	ns
	tSKM	Skew margin	-	-	300	ps

Voltage of  $V_{DD}$  is in ranges of 5.1 LCD CHARACTERISTICS, ambient temperature is in a range of operating temperature.  $V_{TH}$  and  $V_{TL}$  are in ranges of 5.1 LCD CHARACTERISTICS.

## 9.3 TIMING CHART

### 9.3.1 DATA INPUT TIMING

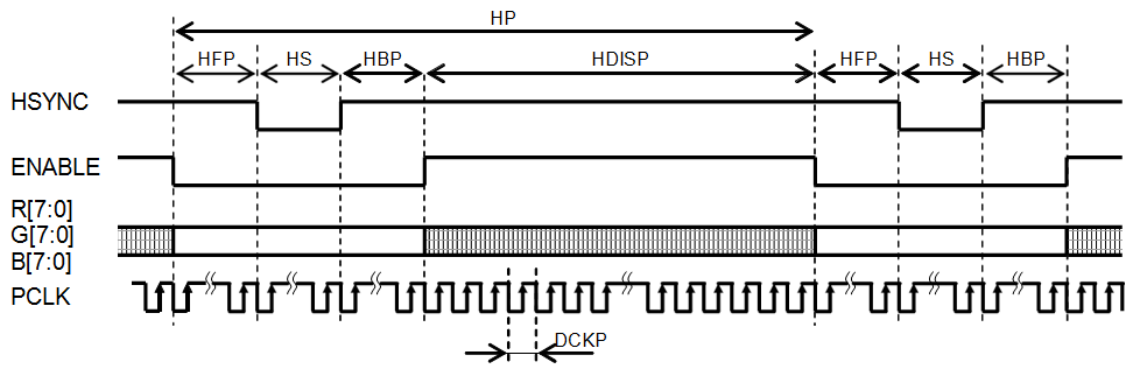
#### (1) Vertical timing



Parameter	Symbol	Min.	Typ.	Max.	Unit	Remarks
Vertical cycle	VP	784	784	784	H	
Vertical Low pulse width	VS	2	2	12	H	
Vertical back porch	VBP	2	6	12	H	
Vertical front porch	VFP	2	8	12	H	
Vertical Blanking period	VS+VBP+VFP	16	16	16	H	
Vertical active area	VDISP	768	768	768	H	
VSYNC - HSYNC	VHP	0	-	1	CLK	

Voltage of  $V_{DD}$  is in ranges of 5.1 LCD CHARACTERISTICS, ambient temperature is in a range of operating temperature.

(2) Horizontal timing



Parameter	Symbol	Min.	Typ.	Max.	Unit	Remarks
HS cycle	HP	1425	1425	1425	CLK	
HS low pulse width	HS	10	40	105	CLK	
Horizontal back porch	HBP	20	50	115	CLK	
Horizontal front porch	HFP	20	55	115	CLK	
Horizontal Blanking period	HS+HBP+HFP	145	145	145	CLK	
Horizontal active area	HDISP	1280	1280	1280	CLK	
Frame cycle	-	57.3	60.0	62.7	Hz	
Pixel clock Frequency	DCKP	64.0	67.0	70.0	MHz	

Voltage of  $V_{DD}$  is in ranges of 5.1 LCD CHARACTERISTICS, ambient temperature is in a range of operating temperature.

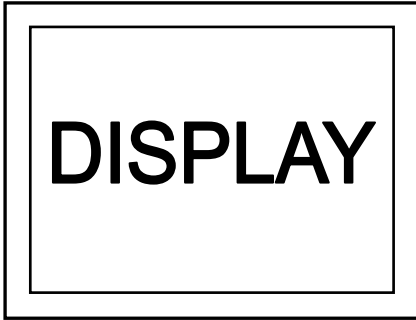
The following specifications are defined based on the typical values in Vertical timing and Horizontal timing tables.

Optical characteristics

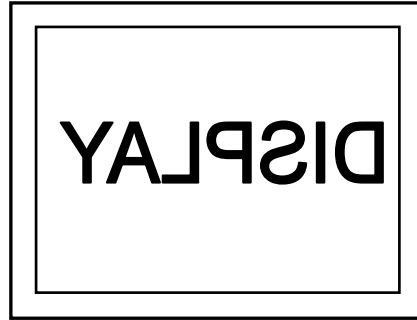
Lifetime Qualification Test

## 9.4 DISPLAY MODE CONTROL

Scan direction is available to be switched as below by setting CN1's UD & LR pin



UD : Low , LR : Low  
(Default)



UD : Low , LR : High



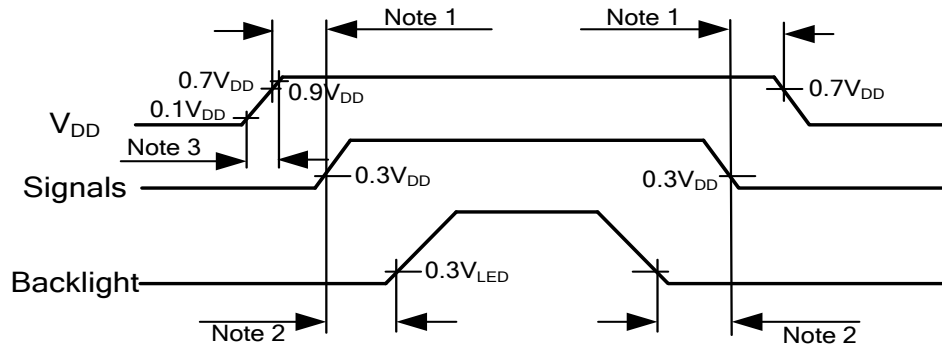
UD : High , LR : Low



UD : High , LR : High



## 9.5 POWER SEQUENCE



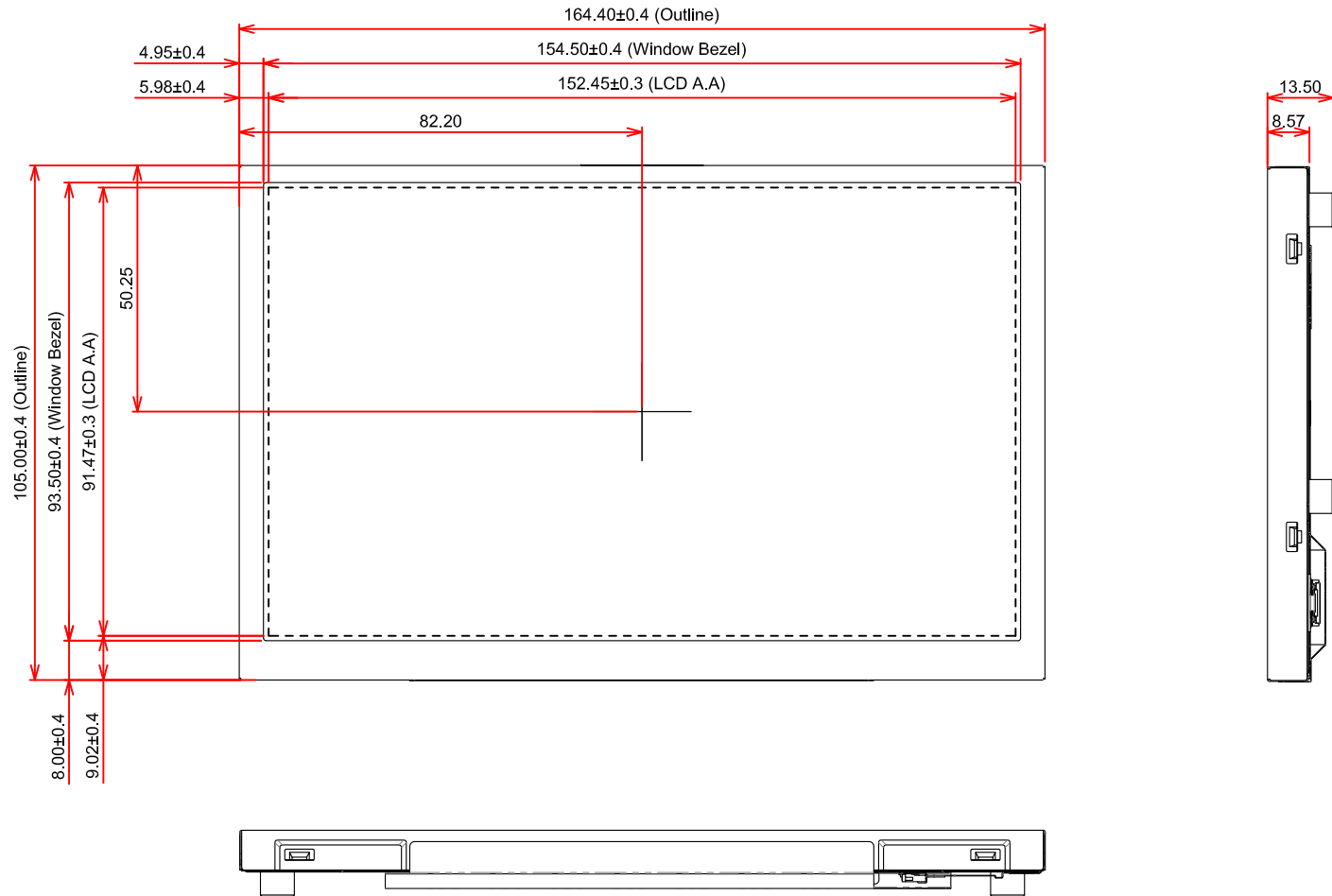
Note 1: In order to avoid any damages,  $V_{DD}$  has to be applied before all other signals. The opposite is true for power off where  $V_{DD}$  has to be remained on until all other signals have been switch off. The recommended time period is 1 second.

Note 2: In order to avoid showing uncompleted patterns in transient state. It is recommended that switching the backlight on is delayed for 1 second after the signals have been applied. The opposite is true for power off where the backlight has to be switched off 1 second before the signals are removed.

Note 3: In order to avoid high Inrush current,  $V_{DD}$  rising time need to set between 0.5ms and 10ms.

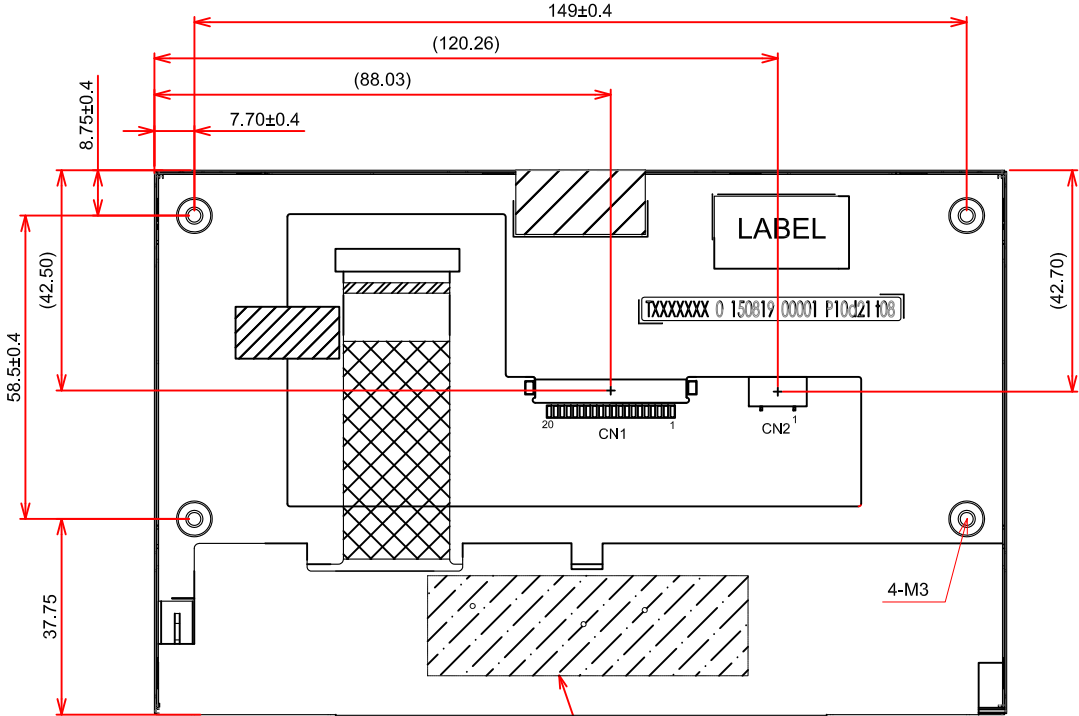
# 10. OUTLINE DIMENSIONS

## 10.1 FRONT VIEW



General Tolerance:±0.5mm  
 Scale : NTS  
 Unit : mm

10.2 REAR VIEW



Component area  
(Mounted component height  
Including FPC) : 3mm max.

General Tolerance:  $\pm 0.5$ mm  
Scale : NTS  
Unit : mm

# 11. APPEARANCE STANDARD

The appearance inspection is performed in a room around 500~1000 lx based on the conditions as below:

- The distance between inspector's eyes and display is 30 cm.
- The viewing zone is defined with angle  $\theta$  shown in Fig. 11. The inspection should be performed within  $45^\circ$  when display is shut down. The inspection should be performed within  $5^\circ$  when display is power on.

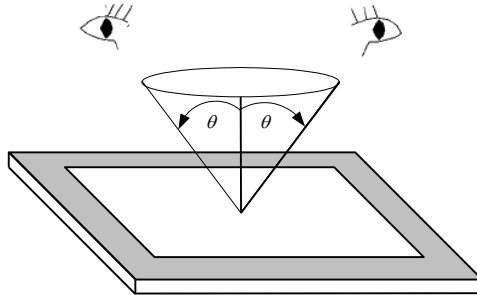


Fig. 11.1

## 11.1 THE DEFINITION OF LCD ZONE

LCD panel is divided into 2 areas as shown in Fig.11.2 for appearance specification in next section. A zone is the LCD active area (dot area); B zone is the area between A zone and metal frame.

In terms of housing design, B zone is the recommended window area customers' housing should be located in.

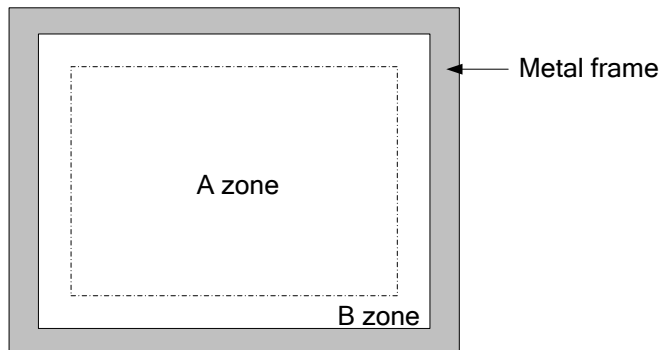


Fig. 11.2

## 11.2 LCD APPEARANCE SPECIFICATION

The specification as below is defined as the amount of unexpected phenomenon or material in different zones of LCD panel. The definitions of length, width and average diameter using in the table are shown in Fig. 11.3 and Fig. 11.4.

Item	Criteria				Applied zone	
Scratches	Length (mm)	Width (mm)	Maximum number	Minimum space	A、B	
	Ignored	$W \leq 0.02$	Ignored	-		
	$L \leq 40$	$W \leq 0.04$	10	-		
	-	$W > 0.04$	Not allowed	-		
	Round (Dot Shape)					
	Average diameter (mm)	Maximum number	Minimum space			
	$D \leq 0.2$	Ignore	-			
	$D \leq 0.4$	10	-			
Dent	Serious one is not allowed				A	
Wrinkles in polarizer	Serious one is not allowed				A	
Bubbles on polarizer	Average diameter (mm)		Maximum number		A	
	$D \leq 0.3$		Ignored			
	$0.3 < D \leq 0.5$		10			
	$0.5 < D \leq 1.0$		5			
1) Stains 2) Foreign Materials 3) Dark Spot	Filamentous (Line shape)				A、B	
	Length (mm)	Width (mm)	Maximum number			
	Ignored	$W \leq 0.02$	Ignored			
	$L \leq 2.0$	$W \leq 0.03$	10			
	$L \leq 1.0$	$W \leq 0.06$	10			
	Round (Dot shape)				A、B	
	Average diameter (mm)	Maximum number	Minimum Space			
	$D \leq 0.22$	Ignored	-			
	$0.22 < D \leq 0.33$	5	-			
	$0.33 < D$	0	-			
	In total	Filamentous + Round=10				
	Those wiped out easily are acceptable					
Dot-Defect (Note 1)			Type	Maximum number	A	
	Bright dot-defect		1 dot	0		
	Dark dot-defect			1 dot		4
				2 dots		1(sets)
		In total		4		
In total		4		4		

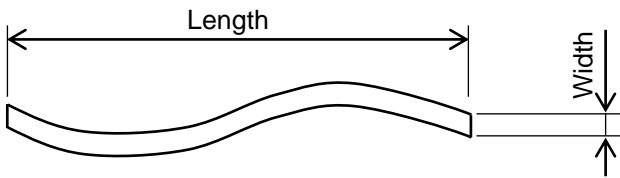
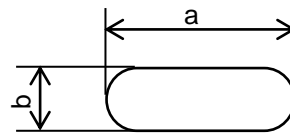


Fig 11.3

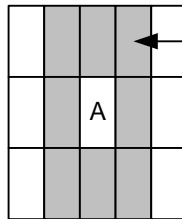


$$\text{Average diameter} = \frac{a+b}{2}$$

Fig 11.4

Note 1: The definitions of dot defect are as below:

- For bright dot-defect, showing black pattern, visible with 5% ND filter is defined.
- For dark dot-defect, showing white pattern, defect size over 1/2 dot area is defined.
- The definition of 1-dot-defect is the defect-dot, which is isolated and no adjacent defect-dot.
- The definition of adjacent dot is shown as Fig. 11.5.
- The Density of dot defect is defined in the area within diameter  $\phi = 10\text{mm}$ .



The dots colored gray are adjacent to defect-dot A.

Fig. 11.5

## 12. PRECAUTIONS

### 12.1 PRECAUTIONS of ESD

- 1) Before handling the display, please ensure your body has been connected to ground to avoid any damages by ESD. Also, do not touch display's interface directly when assembling.
- 2) Please remove the protection film very slowly before turning on the display to avoid generating ESD.

### 12.2 PRECAUTIONS of HANDLING

- 1) In order to keep the appearance of display in good condition; please do not rub any surfaces of the displays by sharp tools harder than 3H, especially touch panel, metal frame and polarizer.
- 2) Please do not pile the displays in order to avoid any scars leaving on the display. In order to avoid any injuries, please pay more attention for the edges of glasses and metal frame, and wear finger cots to protect yourself and the display before working on it.
- 3) Touching the display area or the terminal pins with bare hand is prohibited. This is because it will stain the display area and cause poor insulation between terminal pins, and might affect display's electrical characteristics furthermore.
- 4) Do not use any harmful chemicals such as acetone, toluene, and isopropyl alcohol to clean display's surfaces.
- 5) Please use soft cloth or absorbent cotton with ethanol to clean the display by gently wiping. Moreover, when wiping the display, please wipe it by horizontal or vertical direction instead of circling to prevent leaving scars on the display's surface, especially polarizer.
- 6) Please wipe any unknown liquids immediately such as saliva, water or dew on the display to avoid color fading or any permanently damages.
- 7) Maximum pressure to the surface of the display must be less than  $1.96 \times 10^4$  Pa. If the area of adding pressure is less than  $1 \text{ cm}^2$ , the maximum pressure must be less than 1.96N.

### 12.3 PRECAUTIONS of OPERATING

- 1) Please input signals and voltages to the displays according to the values defined in the section of electrical characteristics to obtain the best performance. Any voltages over than absolute maximum rating will cause permanent damages to this display. Also, any timing of the signals out of this specification would cause unexpected performance.
- 2) When the display is operating at significant low temperature, the response time will be slower than it at  $25^\circ\text{C}$ . In high temperature, the color will be slightly dark and blue compared to original pattern. However, these are temperature-related phenomenon of LCD and it will not cause permanent damages to the display when used within the operating temperature.
- 3) The use of screen saver or sleep mode is recommended when static images are likely for long periods of time. This is to avoid the possibility of image sticking.
- 4) Spike noise can cause malfunction of the circuit. The recommended limitation of spike noise is no bigger than  $\pm 100 \text{ mV}$ .

## 12.4 PRECAUTIONS of STORAGE

If the displays are going to be stored for years, please be aware the following notices.

- 1) Please store the displays in a dark room to avoid any damages from sunlight and other sources of UV light.
- 2) The recommended long-term storage temperature is between 10 C° ~35 C° and 55%~75% humidity to avoid causing bubbles between polarizer and LCD glasses, and polarizer peeling from LCD glasses.
- 3) It would be better to keep the displays in the container, which is shipped from JDI, and do not unpack it.
- 4) Please do not stick any labels on the display surface for a long time, especially on the polarizer.

## 12.5 PRECAUTIONS of IMAGE STICKING

- 1) Do not display the fixed image or very frequently repeated clips in a long period of time, it may cause image sticking on display. Even a video of several minutes, which is played in a loop, is considered as repetitive.
- 2) Screensaver or power saving mode is recommended to avoid image sticking effectively. Using moving images, scrolling text and alternating a fixed image with a moving image, are the ideal ways to reduce the possibility of image sticking.
- 3) Additionally, it is important to avoid using static bars at image boundaries. Typically, such bars are a result of difference in aspect ratio (e.g., playing 4:3 content on a 16:9 display).



### 13. DESIGNATION of LOT MARK

1) The lot mark is showing in Fig.13.1. First 4 digits are used to represent production lot, T represented made in Taiwan, and the last 6 digits are the serial number.

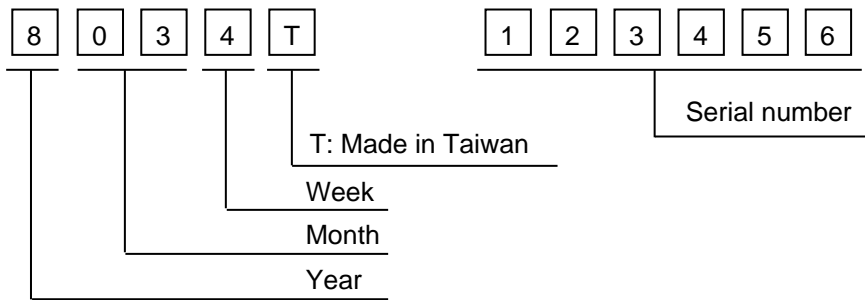


Fig. 13.1

2) The tables as below are showing what the first 4 digits of lot mark are shorted for.

Year	Lot Mark
2018	8
2019	9
2020	0
2021	1
2022	2

Month	Lot Mark	Month	Lot Mark
Jan.	01	Jul.	07
Feb.	02	Aug.	08
Mar.	03	Sep.	09
Apr.	04	Oct.	10
May	05	Nov.	11
Jun.	06	Dec.	12

Week	Lot Mark
1~7 days	1
8~14 days	2
15~21 days	3
22~28 days	4
29~31 days	5

3) Except letters I and O, revision number will be shown on lot mark and following letters A to Z.

REV No.	ITEM	REMARKS
A	-	-
B	LED Driver IC Changed	PCN1042

4) The location of the lot mark is on the back of the display shown in Fig. 13.2.

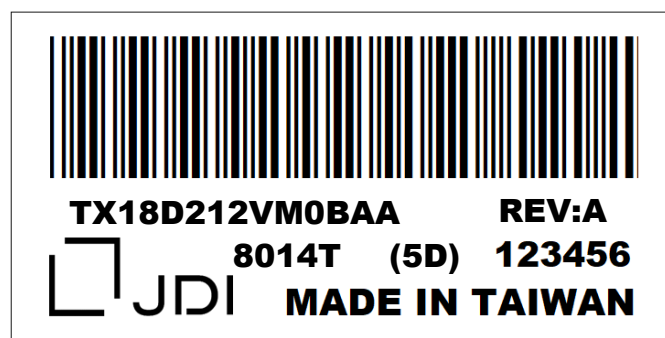


Fig. 13.2

# DATA MODUL



ALL TECHNOLOGIES. ALL COMPETENCIES. ONE SPECIALIST.



DATA MODUL AG  
Landsberger Straße 322  
DE-80687 Munich  
Phone: +49-89-56017-0

DATA MODUL WEIKERSHEIM GMBH  
Lindenstraße 8  
DE-97990 Weikersheim  
Phone: +49-7934-101-0



More information and worldwide locations can be found at

[www.data-modul.com](http://www.data-modul.com)