



SPECIFICATION

easy // TOUCH
DISPLAY

eTD035W2105-POA-E (12039374)

3.5" - QVGA - COF

Version: 1.3

Date: 20.01.2020

Note: This specification is subject to change without prior notice

www.data-modul.com

Content

1. SPECIFICATIONS	3
1.1 Features	3
1.2 Mechanical Specifications	3
1.3 Absolute Maximum Ratings	4
1.4 DC Electrical Characteristics	4
1.5 Optical Characteristics	5
1.6 Backlight Characteristics	8
1.7 Touch Panel Characteristics	9
1.8 Touch Performance	9
2.1 Counter Drawing.....	10
2.1.1 LCM Mechanical Diagram	10
2.1.2 Block Diagram.....	10
2.2 Interface Pin Description	11
2.2.1 Refer Initial Code.....	12
2.3 Touch Panel Description	13
2.3.1 Block Diagram.....	14
2.3.2 I2C Operation.....	14
2.3.3 USB Operation.....	14
2.4 Timing Characteristics	15
2.4.1 Pixel timing for HX8238-D	15
2.4.2 Data transaction timing for HX8238-D	16
2.4.3 SPI Timing Characteristics for HX8238-D.....	18
2.5 Power Sequence	19
2.5.1 Power up sequence.....	19
2.5.2 Power down sequence.....	20
2.5.3 Power Timing Characteristics of Backlight	21
3. QUALITY ASSURANCE SYSTEM.....	22
3.1 Quality Assurance Flow Chart	22
3.2 Inspection Specification.....	24
4. RELIABILITY TEST	32
4.1 Reliability Test Condition (Ver.B01)	32
5. PRECAUTION RELATING PRODUCT HANDLING	33
5.1 SAFETY	33
5.2 HANDLING	33
5.3 STORAGE	33
5.4 TERMS OF WARRANTY.....	33

1. SPECIFICATIONS

1.1 Features

Item	Standard Value
Display Resolution	320 * (RGB) * 240 Dots
LCD Type	a-Si TFT , Normally white , Transmissive type
Screen size(inch)	3.5 inch
Viewing Direction	6 O'clock
Surface treatment	Anti-Glare(LCD)
	Clear(T/P)
Color configuration	R.G.B. Vertical Stripe
Backlight Type	LED B/L
Weight	-
Interface	24 Bits RGB Interface
Other (controller / driver IC)	Himax: HX8238-D
ROHS	THIS PRODUCT CONFORMS THE ROHS OF PTC Detail information please refer website : http://www.powertip.com.tw/news.php?area_id_view=1085560481/

1.2 Mechanical Specifications

Item	Standard Value	Unit
Outline Dimension	96.32(W) * 78.8 (L) * 5.25 (H)	mm

LCD panel

Item	Standard Value	Unit
Active Area	70.08 (W) * 52.56 (L)	mm

Note : For detailed information please refer to LCM drawing.

1.3 Absolute Maximum Ratings

Module

Item	Symbol	Condition	Min.	Max.	Unit	Remark
Power Supply Voltage	VDD	GND=0	-0.3	3.96	V	-
Power Supply Voltage	VCC	GND=0	-0.3	+23.0	V	
Operating Temperature	T _{OP} (Ts)	Note 1	-20	+70	°C	
Storage Temperature	T _{ST} (Ta)	Note 2	-30	+80	°C	
Storage Humidity	H _D	Ta ≦ 60 °C	10	90	%RH	

The absolute maximum rating values of this product are not allowed to be exceeded at any times. Should a module be used with any of the absolute maximum ratings exceeded, the characteristics of the module may not be recovered, or in an extreme case, the module may be permanently destroyed.

Note 1 : Ts is the temperature of panel's surface.

Note 2 : Ta is the ambient temperature of samples

1.4 DC Electrical Characteristics

Module

Ta = 25°C

Item	Symbol	Condition	Min.	Typ.	Max.	Unit
Power Supply for Backlight Unit	VCC	GND=0V	5	12	14	V
Input Voltage for TFT Panel	V _{IH}	GND=0V	0.7VDD	-	VDD	V
	V _{IL}	GND=0V	0	-	0.3VDD	V
Supply Current for TFT Panel	IDD	IDD@VDD=3.3V	-	11	17	mA
Supply Current for Backlight Unit	ICC	ICC@VCC=5V	-	100	150	mA
		ICC@VCC=12V	-	50	75	mA
Input Voltage for PWM Signal	VPH	GND=0V	1.2	-	-	V
	VPL	GND=0V	-	-	0.4	V
Dimming Clock Rate	fP	GND=0V	5	-	100	KHz

1.5 Optical Characteristics

VDD=3.3V, Ta=25°C

Item	Symbol	Condition	Min.	Typ.	Max.	unit	-	
Response time	Tr + Tf	-	-	40	60	ms	Note2	
Viewing angle	Top	$\theta+$	CR \geq 10	-	60	-	Deg.	Note4
	Bottom	$\theta-$		-	60	-		
	Left	θ_L		-	60	-		
	Right	θ_R		-	60	-		
Contrast ratio	CR	-	500	600	-	-	Note3	
Color of CIE Coordinate (LCD & B/L&TP)	White	X	VCC=12V PWM="High" (Duty=100%)	0.27	0.32	0.37	-	Note1
		Y		0.30	0.35	0.40		
	Red	X		0.59	0.64	0.69		
		Y		0.29	0.34	0.39		
	Green	X		0.29	0.34	0.39		
		Y		0.56	0.61	0.66		
	Blue	X		0.09	0.14	0.19		
		Y		0.03	0.08	0.13		
Average Brightness Pattern=white display (LCD & B/L&TP)*1	IV	VCC=12V PWM="High" (Duty=100%)	680	850	-	cd/m ²		
Uniformity (LCD & B/L&TP)*2	ΔB		70	-	-	%		

Note 1:

*1 : $\Delta B = B(\min) / B(\max) * 100\%$

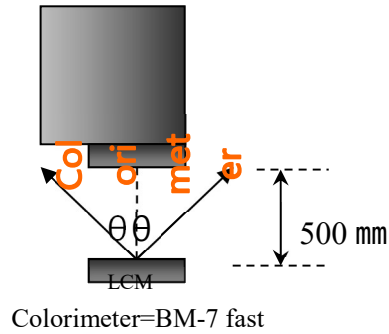
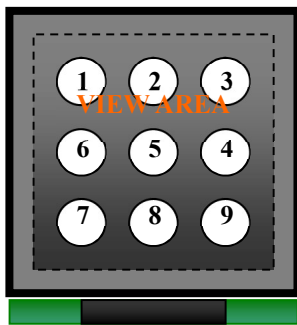
*2 : Measurement Condition for Optical Characteristics:

a : Environment: 25 ± 5 / $60 \pm 20\%$ R.H · no wind · dark room below 10 Lux at typical lamp current and typical operating frequency.

b : Measurement Distance: 500 ± 50 mm · ($\theta = 0^\circ$)

c : Equipment: TOPCON BM-7 fast · (field 1°) · after 10 minutes operation.

d : The uncertainty of the C.I.E coordinate measurement ± 0.01 · Average Brightness $\pm 4\%$



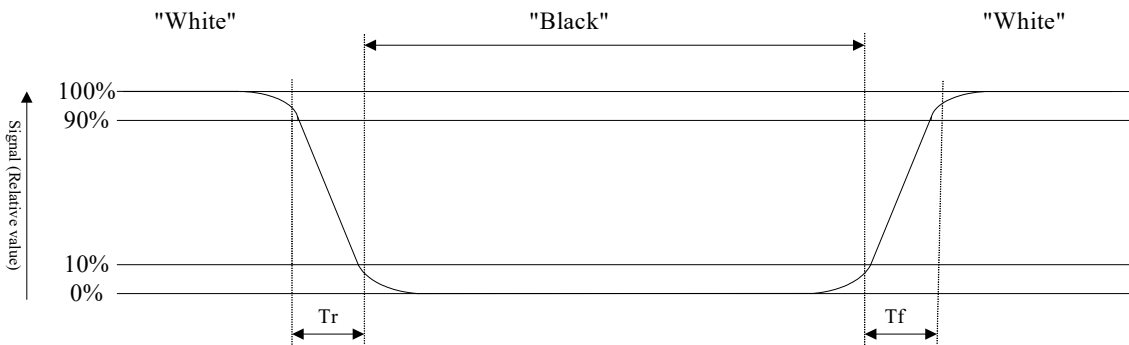
Colorimeter=BM-7 fast

To be measured at the center area of panel with a viewing cone of 1° by Topcon luminance meter BM-7, after 10 minutes operation (module)

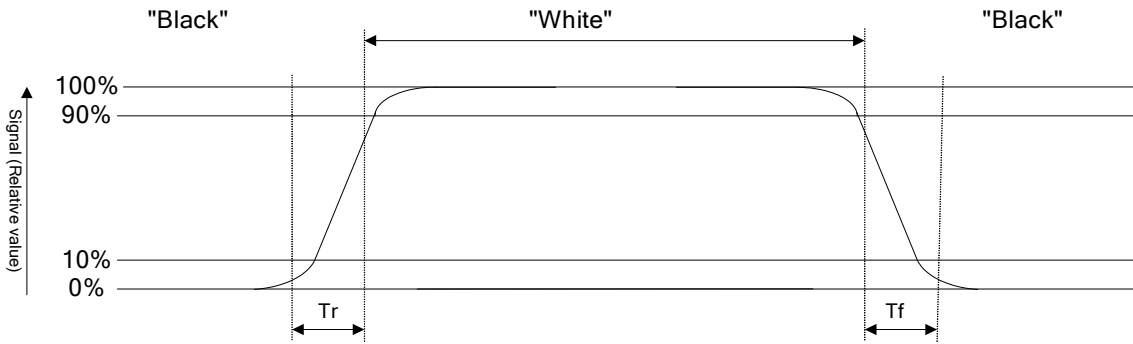
Note2: Definition of response time:

The output signals of photo detector are measured when the input signals are changed from “black” to “white”(falling time) and from “white” to “black”(rising time), respectively. The response time is defined as the time interval between the 10% and 90% of Amplitudes.

Refer to figure as below:
Normally White



Normally Black



Note3: Definition of contrast ratio:

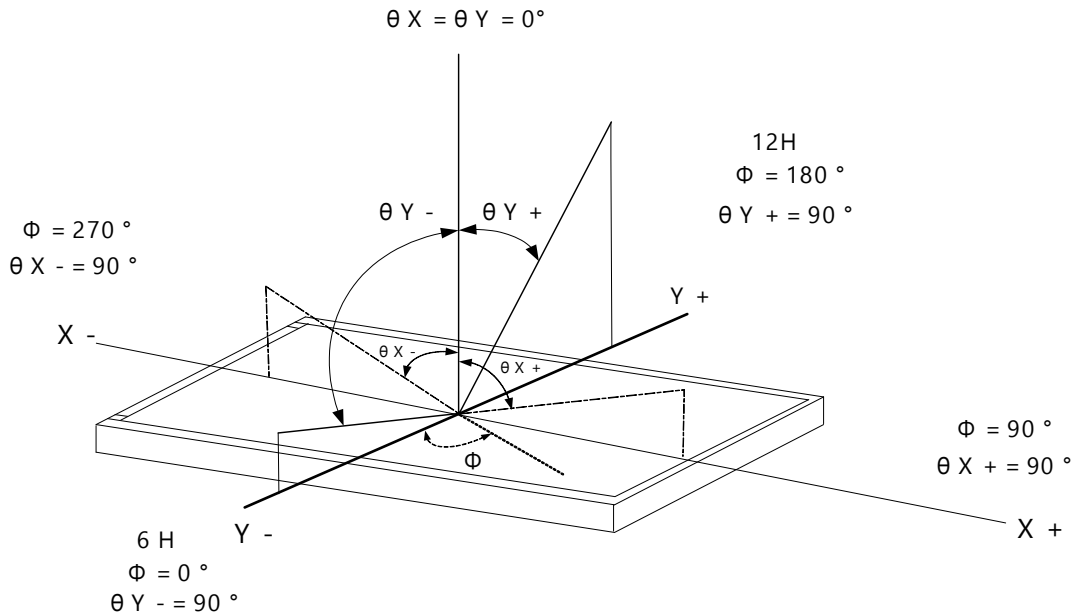
Contrast ratio is calculated with the following formula

Photo detector output when LCD is at "White" state

$$\text{Contrast ratio (CR)} = \frac{\text{Photo detector output when LCD is at "White" state}}{\text{Photo detector output when LCD is at "Black" state}}$$

Note4: Definition of viewing angle:

Refer to figure as below:



1.6 Backlight Characteristics

Maximum Ratings

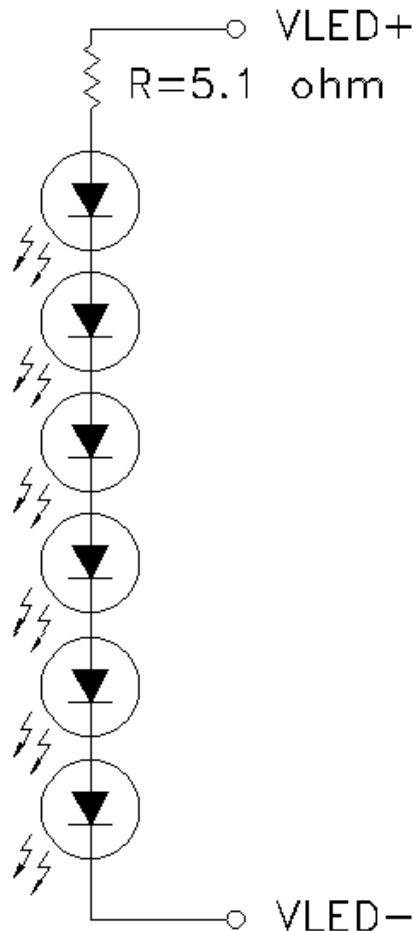
Item	Symbol	Min.	Max.	Unit	Remark
LED Forward Current	I_F	30		mA	One LED
LED Reverse Voltage	V_R	5		V	

Electrical / Optical Characteristics

Item	Symbol	Min.	Typ.	Max.	Unit	Remark
LED Voltage	V_L	18	19	19.8	V	Note1
LED Current	I_L	-	20	-	mA	-
LED life time	-	50000	-	-	H _r	Note2

Note 1: The LED Supply Voltage is defined by the number of LED at $T_a=25^\circ\text{C}$ and $I_L=20\text{ mA}$.

Note 2: The "LED life time" is defined as the module brightness decrease to 50% original brightness at $T_a=25^\circ\text{C}$ and $I_L=20\text{ mA}$. The LED life time could be decreased if operating I_L is larger than 20 mA.



1.7 Touch Panel Characteristics Features

Item	Standard Value
Touch Panel Size	3.5"
Touch type	Capacitive Touch Panel
Input Method	Finger / 10 Points touch
Output Interface	I ² C / USB
IC	ILI2511
I2C Address	0x41(7bit)

DC Electrical Characteristics

Item	Symbol	Condition	Min.	Typ.	Max.	Unit
Power supply.	TPVDD	Ta = 25°C	3.5	-	6.0	V

Optical Characteristics

Item	Standard Value	Unit
Response Time	≤25ms	
Total light transmittance	85% or more	-
Surface Hardness	≥6H	-

1.8 Touch Performance

This touch device offers operation with 10 fingers simultaneously. It is intended for indoor use in industrial applications.

This module is designed to have single touch functionality when operating with freshwater. It is not designed to have functionality when operating with saltwater. Ghost touches may occur and operation might not be possible.

The module is designed to have limited functionality when operating with thin gloves.

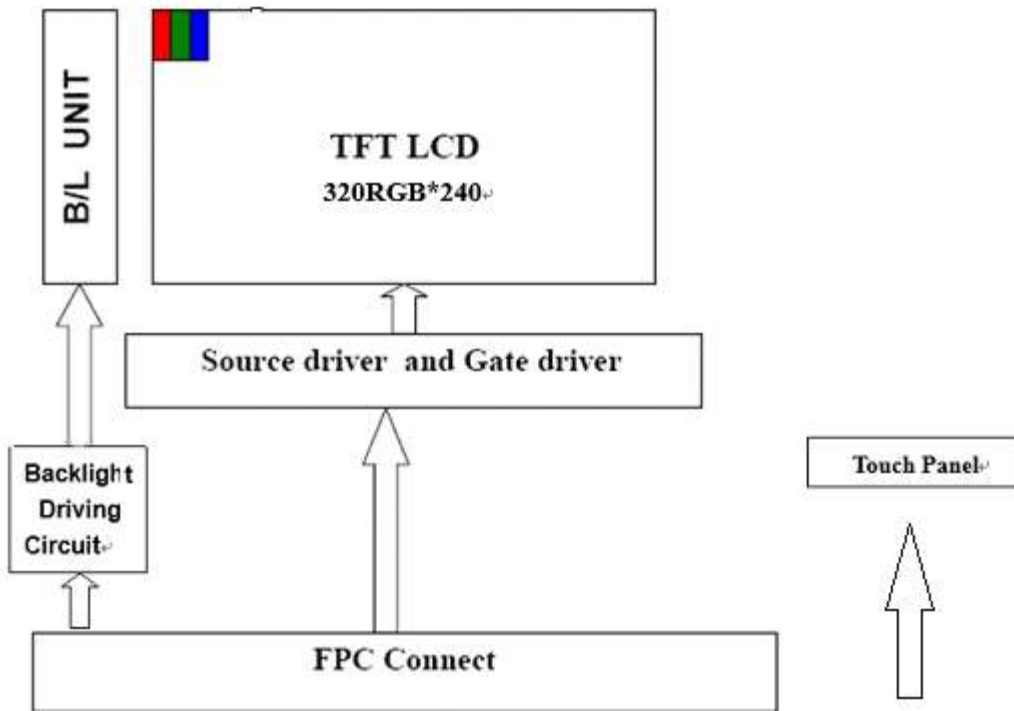
2. MODULE STRUCTURE

2.1 Counter Drawing

2.1.1 LCM Mechanical Diagram

* See Appendix

2.1.2 Block Diagram



2.2 Interface Pin Description TFT LCM Interface

Pin No.	Symbol	Function
1	GND	Power ground.
2	VDD	Power for Digital Circuit.
3	VDD	Power for Digital Circuit.
4	VCC	Power For LED backlight.
5	VCC	Power For LED backlight.
6	PWM	Shutdown & Dimming control input for backlight. Do not allow this pin to float. "Hi" =100%, "Low" = 0%.
7	GND	Power ground.
8	R0	Red Data.
9	R1	Red Data.
10	R2	Red Data.
11	R3	Red Data.
12	GND	Power ground.
13	R4	Red Data.
14	R5	Red Data.
15	R6	Red Data.
16	R7	Red Data.
17	GND	Power ground.
18	G0	Green Data.
19	G1	Green Data.
20	G2	Green Data.
21	G3	Green Data.
22	GND	Power ground.
23	G4	Green Data.
24	G5	Green Data.
25	G6	Green Data.
26	G7	Green Data.
27	GND	Power ground.
28	B0	Blue Data.
29	B1	Blue Data.

Pin No.	Symbol	Function
30	B2	Blue Data.
31	B3	Blue Data.
32	GND	Power ground.
33	B4	Blue Data.
34	B5	Blue Data.
35	B6	Blue Data.
36	B7	Blue Data.
37	GND	Power ground.
38	HS	Line synchronization signal. Horizontal Sync Input.
39	VS	Frame synchronization signal. Vertical Sync Input.
40	GND	Power ground.
41	DE	Display enable pin from controller. Data Input Enable.
42	GND	Power ground.
43	DCLK	Sample clock. Data will be latched at the falling edge of DCLK.
44	GND	Power ground.
45	CS / ID1	Chip Select/ ID[4:1]These pins select LCM type.
46	SDIN / ID2	SPI Data/ ID[4:1]These pins select LCM type.
47	SCK / ID3	SPI Clock/ ID[4:1]These pins select LCM type.
48	DISPLAY CONTROL / ID4	Display Enable (Hi Active) / ID[4:1]These pins select LCM type.
49	/RESET	Global Reset (Low Active).
50	GND	Power ground.

2.2.1 Refer Initial Code

HX8238-D register configuration is recommended to use the default value (HSP=0, VSP=0, CKP=0, DEP=0).

Note:

HSP: When HSP=0, HS(HSYNC) is negative polarity. When HSP=1, HS(HSYNC) is positive polarity.

VSP: When VSP=0, VS(VSYNC) is negative polarity. When VSP=1, VS(VSYNC) is positive polarity.

CKP: When CKP=0, data is latched in DCLK falling edge. When CKP=1, data is latched in DCLK rising edge.

DEP: When DEP=0, DE is negative polarity active. When DEP=1, DE is positive polarity active.

Capacitive Touch Panel (CTP) Interface

Pin No.	Symbol	Function
1	TP-VDD	Power supply for touch panel
2	I2C_CHG	Active Low
3	I2C_SDA	I2C Data
4	I2C_SCL	I2C Clock
5	RESET	Active low global reset signal input.
6	USB_D_N	D- Differential Data Input.
7	USB_D_P	D+ Differential Data Input.
8	NC	No Connection
9	NC	No Connection
10	GND	Touch Panel Ground.

2.3 Touch Panel Description

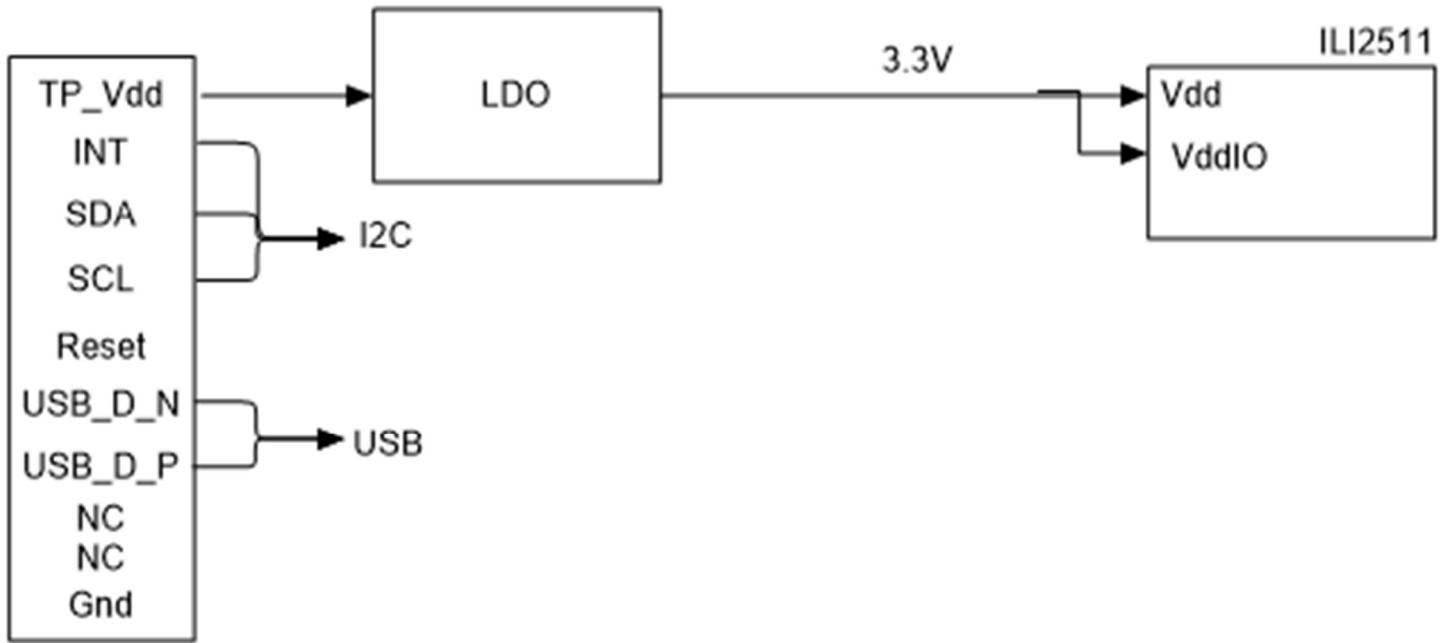
The touch panel can be operated either via I2C or via USB. A list of supported operating system is given in the following table. For drivers listed in the table, please contact your regional Data Modul sales contact.

A recommended connector for the touch tail is OMRON XF2M-1015-1A.

For easy design-in, Data Modul can provide additionally an adaptor for I2C and USB connection (incl. corresponding USB cable). Please contact your regional Data Modul sales contact for further details.

System	Interface	Function	Driver Version	Document
Windows 10 Windows 8 Embedded 8.1 Industry Embedded 8.1 Pro Embedded 8 Standard	USB	Multi Touch	Windows In-Box Driver	N/A
Windows 7 Windows Embedded 7 Embedded Enterprise 7 Embedded Standard 7 Embedded POSReady7	USB	Multi Touch	Windows In-Box Driver	N/A
Linux 2.6.36 Upward	USB	Multi Touch	Linux In-Box Driver	N/A
Linux 2.6.36 Upward	I2C	Multi Touch	ilitek_limv5_7_0_0	ILITEK_LINUX_I2C_DRIVER_CHS_V0.0.6
RTOS	I2C	Depends on system	NA	Please contact your Data Modul Sales Representative I

2.3.1 Block Diagram



2.3.2 I2C Operation

TP_VDD, I2C_CHG, I2C_SDA, I2C_SCL and RESET lines are needed for I2C operation. External pull up resistors on SDA and SCL lines are required (recommendation 4.7k Ω). On INT as well as Reset line, there is no additional pull up resistors required. Please note that VddIO voltage is always 3.3V since this voltage is derived from the LDO on the flex tail.

For detailed documentation on the software integration of I2C, please contact your regional Data Modul sales contact.

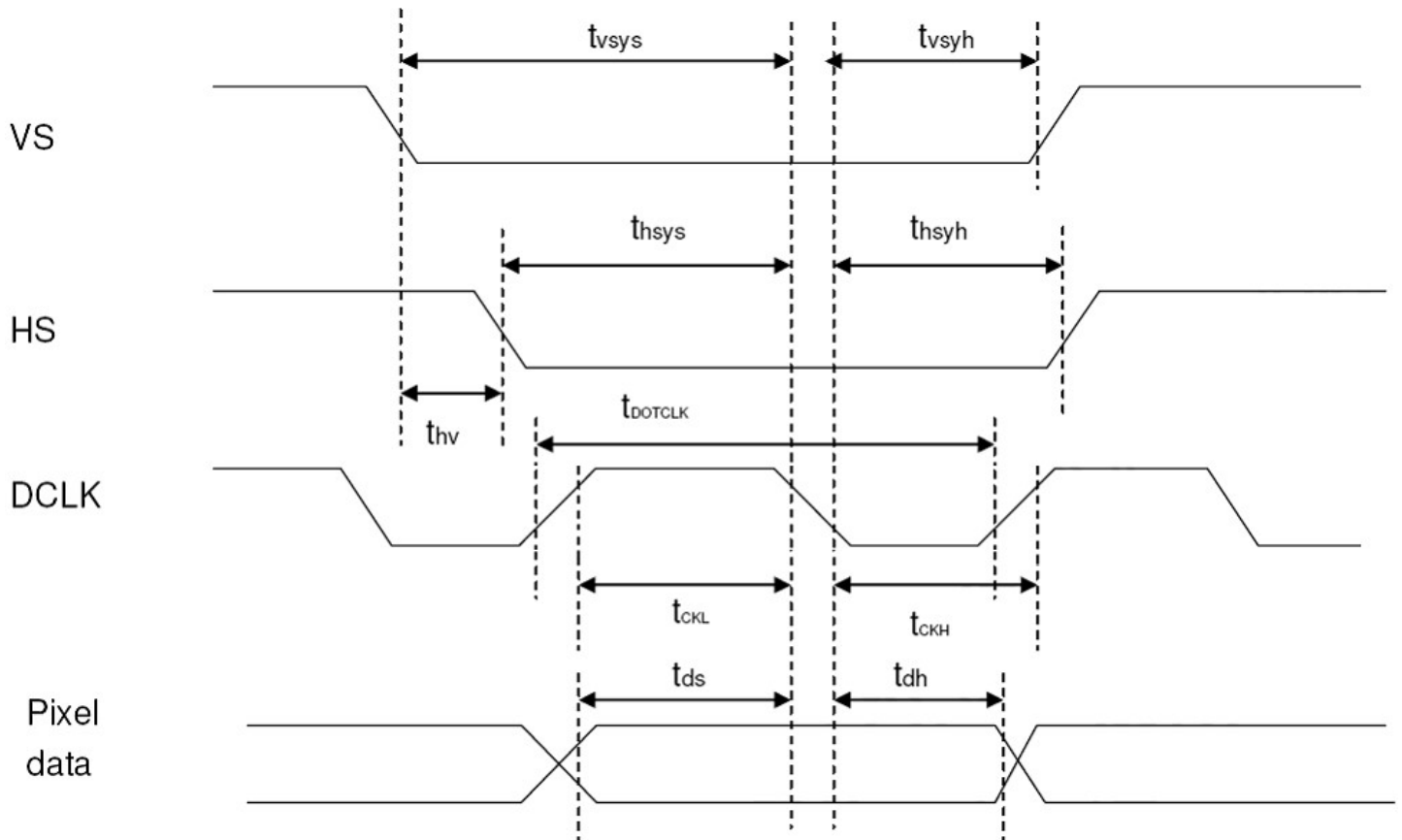
2.3.3 USB Operation

TP_VDD, USB_D_N and USB_D_P are needed for USB operation. The TP will work with most Windows version out of the box using built-in drivers (HIDUSB driver) as well as with Linux.

Please note that Data Module offers the easyAnalyzer, a visualization and evaluation software, for Windows as well as x86 Linux systems. Please contact your regional Data Modul sales contact for further details.

2.4 Timing Characteristics

2.4.1 Pixel timing for HX8238-D

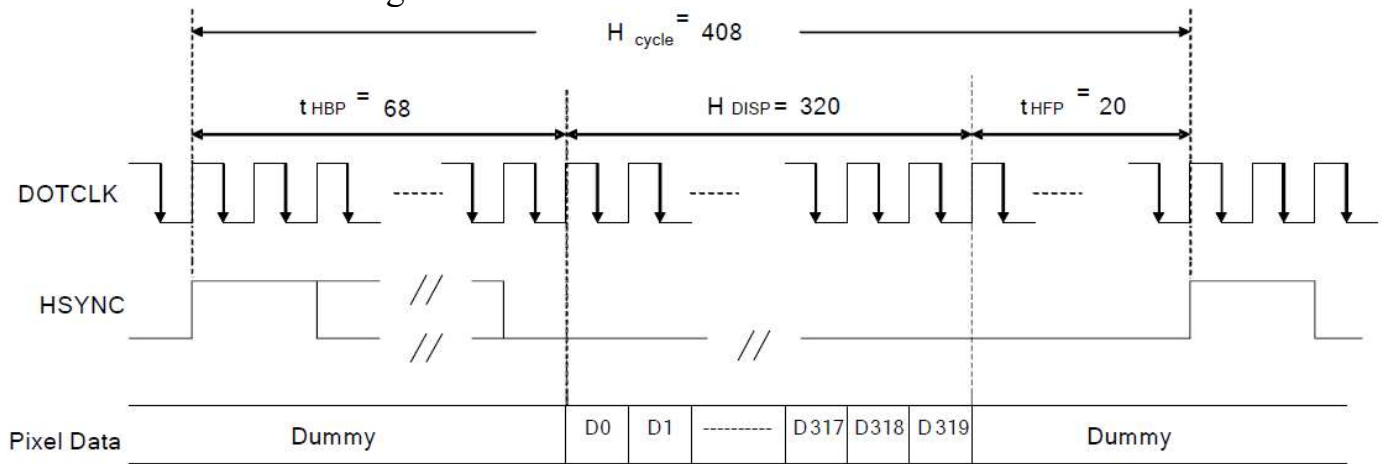


Characteristics	Symbol	Min	Typ	Max	Unit
DCLK Frequency	f _{DCLK}	-	6.5	10	MHz
DCLK Period	t _{DCLK}	100	154	-	ns
Vertical Sync Setup Time	t _{vsys}	20	-	-	ns
Vertical Sync Hold Time	t _{vsyh}	20	-	-	ns
Horizontal Sync Setup Time	t _{hsys}	20	-	-	ns
Horizontal Sync Hold Time	t _{hsyh}	20	-	-	ns
Phase difference of Sync Signal Falling Edge	t _{hv}	1	-	240	t _{DCLK}
DCLK Low Period	t _{CKL}	50	-	-	ns
DCLK High Period	t _{CKH}	50	-	-	ns
Data Setup Time	t _{ds}	12	-	-	ns
Data hold Time	t _{dh}	12	-	-	ns
Reset pulse width	t _{RES}	10	-	-	us

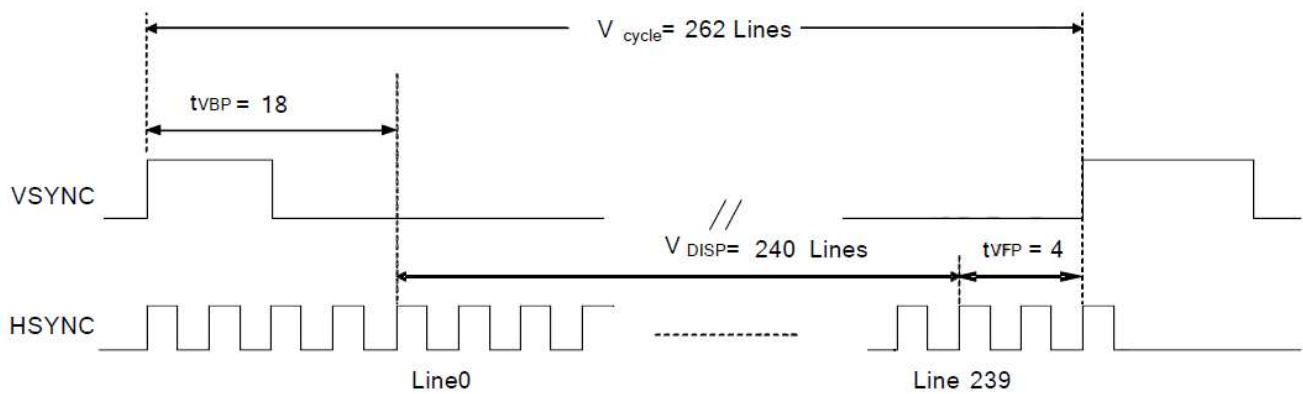
Note: External clock source must be provided to DOTCLK pin of HX8238-A. The driver will not operate if absent of the clocking signal.

Pixel timing

2.4.2 Data transaction timing for HX8238-D



(a) Horizontal Data Transaction Timing



(b) Vertical Data Transaction Timing

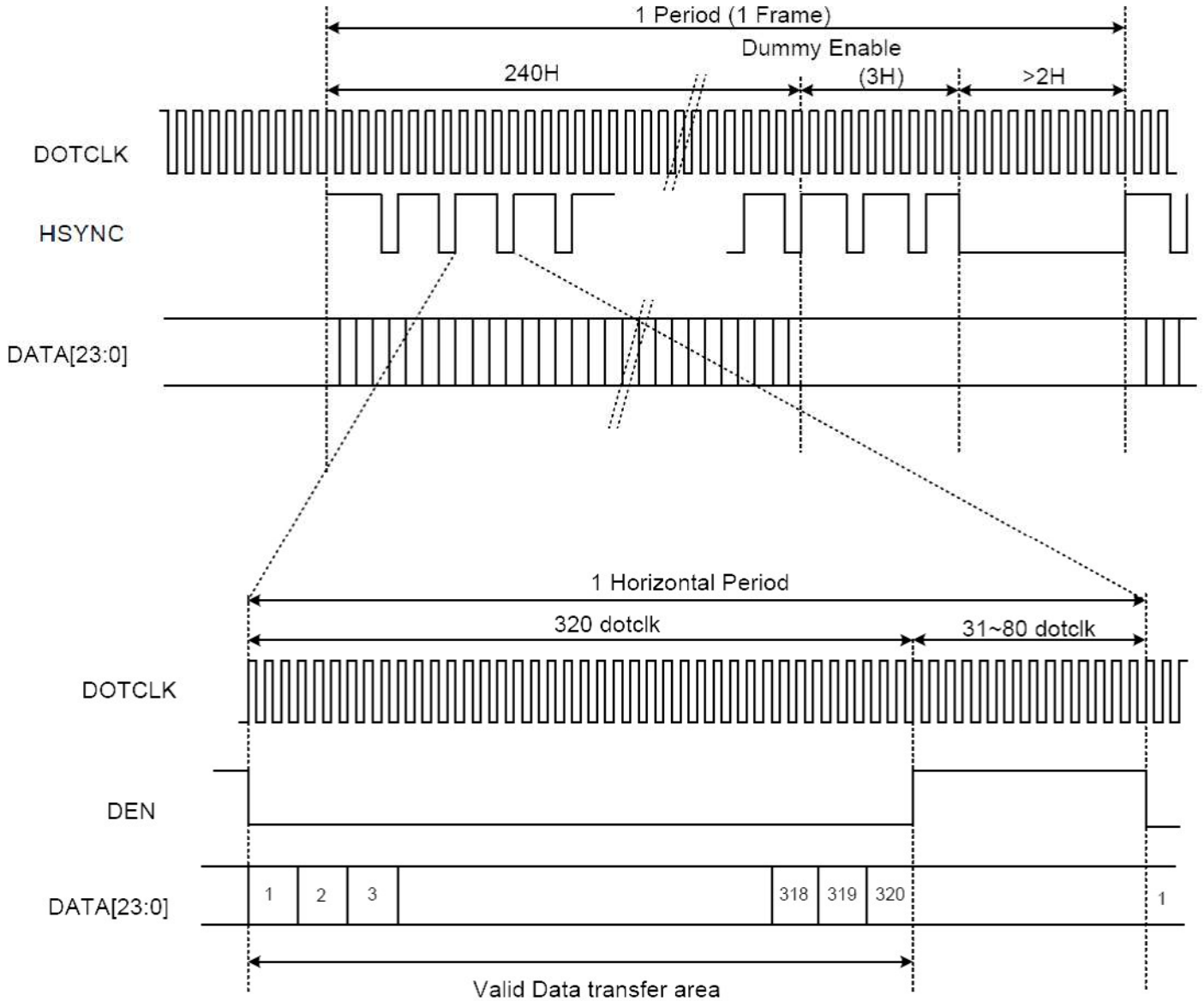
Data transaction timing in parallel RGB (24 bit) interface (SYNC mode)

Characteristics	Symbol	Min	Typ	Max	Unit
DOTCLK Frequency	f _{DOTCLK}	-	6.5	10	MHz
DOTCLK Period	t _{DOTCLK}	100	154	-	ns
Horizontal Frequency (Line)	f _H	-	14.9	22.35	KHz
Vertical Frequency (Refresh)	f _V	-	60	90	Hz
Horizontal Back Porch	t _{HBP}	-	68	-	t _{DOTCLK}
Horizontal Front Porch	t _{HFP}	-	20	-	t _{DOTCLK}
Horizontal Data Start Point	t _{HBP}	-	68	-	t _{DOTCLK}
Horizontal Blanking Period	t _{HBP} + t _{HFP}	-	88	-	t _{DOTCLK}
Horizontal Display Area	H _{DISP}	-	320	-	t _{DOTCLK}
Horizontal Cycle	H _{cycle}	-	408	450	t _{DOTCLK}
Vertical Back Porch	t _{VBP}	-	18	-	Lines
Vertical Front Porch	t _{VFP}	-	4	-	Lines
Vertical Data Start Point	t _{VBP}	-	18	-	Lines
Vertical Blanking Period	t _{VBP} + t _{VFP}	-	22	-	Lines
Vertical Display Area	V _{DISP}	-	240	-	Lines
Vertical Cycle	V _{cycle}	-	262	350	Lines

Data transaction timing in normal operating mode

Characteristics	Symbol	Min.	Typ.	Max.	Unit
DOTCLK Frequency	fDOTCLK	-	6.5	10	MHz
DOTCLK Period	tDOTCLK	100	154	-	ns
Horizontal Blanking Period	tHBP + tHFP	52	88	180	tDOTCLK
Horizontal Display Area	HDISP	-	320	-	tDOTCLK
Horizontal Cycle	Hcycle	372	408	500	tDOTCLK
Vertical Blanking Period	tVBP + tVFP	2	-	47	Lines
Vertical Display Area	VDISP	-	240	-	Lines
Vertical Cycle	Vcycle	242	-	287	Lines

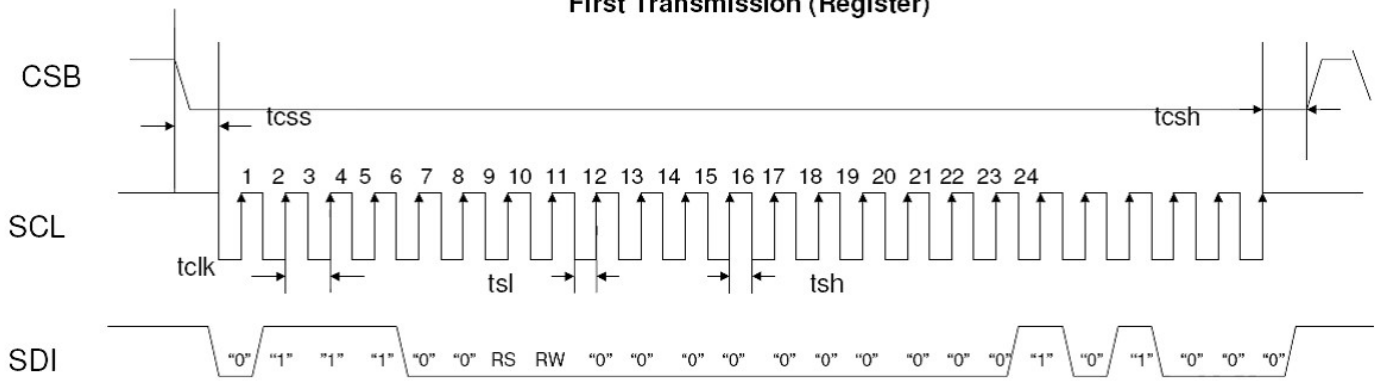
Data transaction timing in DE only operating mode



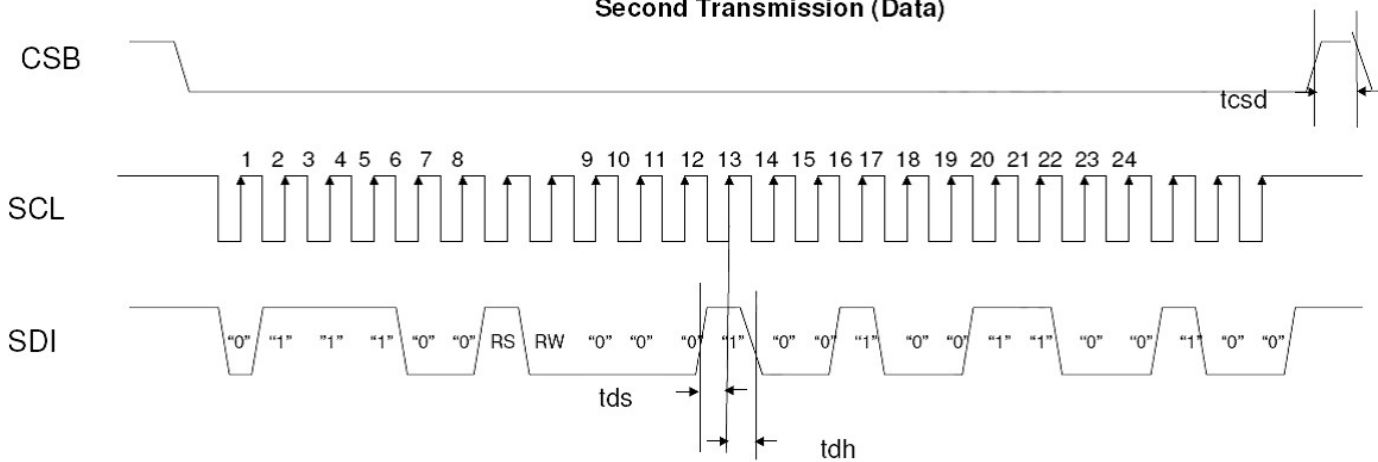
Signal timing in DE mode

2.4.3 SPI Timing Characteristics for HX8238-D

First Transmission (Register)



Second Transmission (Data)



Note: The example transmit "0x1264h" to register R28h.
SPID connected to VSS.

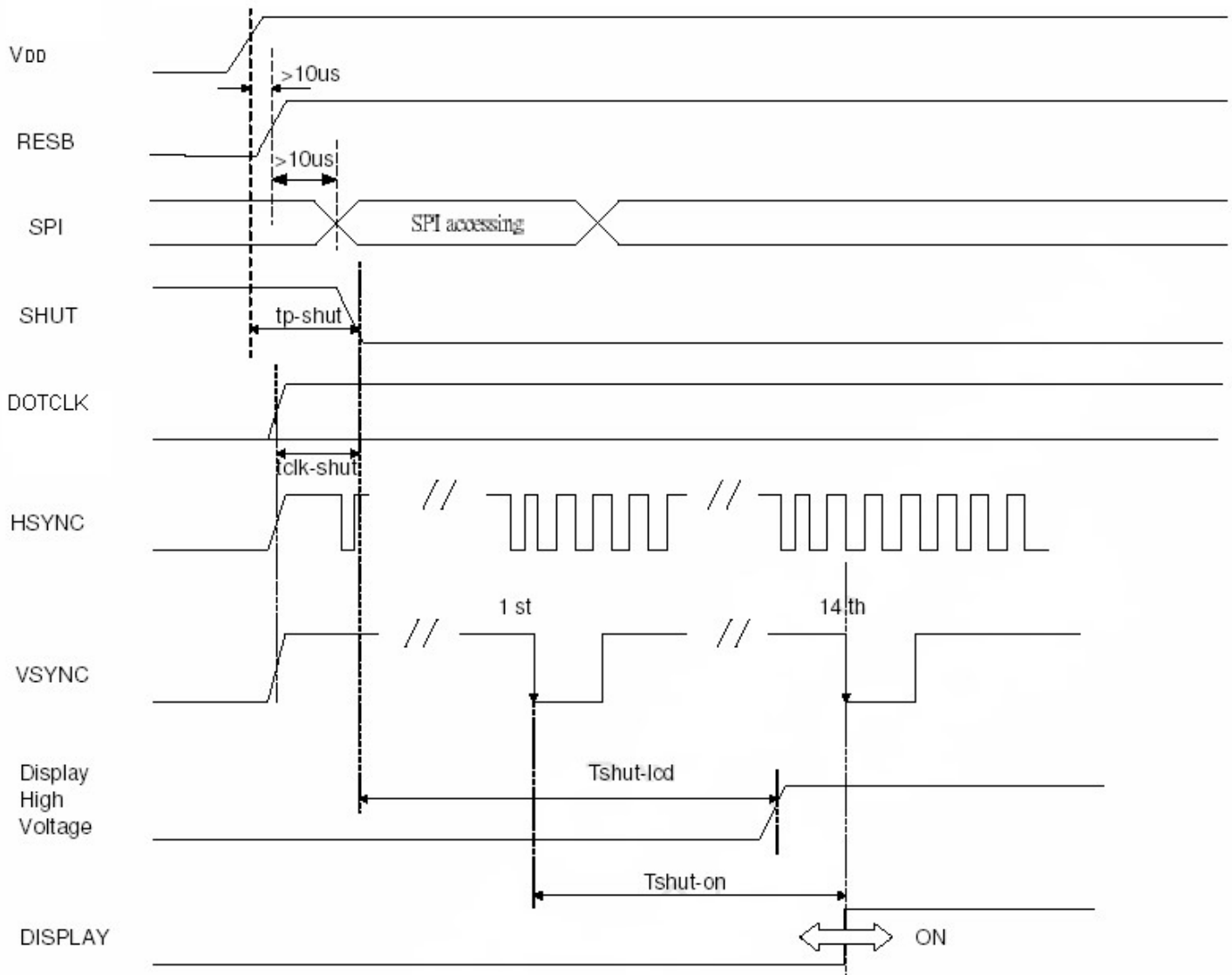
SPI interface timing diagram & transaction example

Characteristics	Symbol	Min	Typ	Max	Unit
Serial Clock Frequency	fclk	-	-	20	MHz
Serial Clock Cycle Time	tclk	50	-	-	ns
Clock Low Width	tsl	25	-	-	ns
Clock High Width	tsh	25	-	-	ns
Chip Select Setup Time	tcss	0	-	-	ns
Chip Select Hold Time	tcsh	10	-	-	ns
Chip Select High Delay Time	tcshd	20	-	-	ns
Data Setup Time	tds	5	-	-	ns
Data Hold Time	tdh	10	-	-	ns

SPI timing

2.5 Power Sequence

2.5.1 Power up sequence



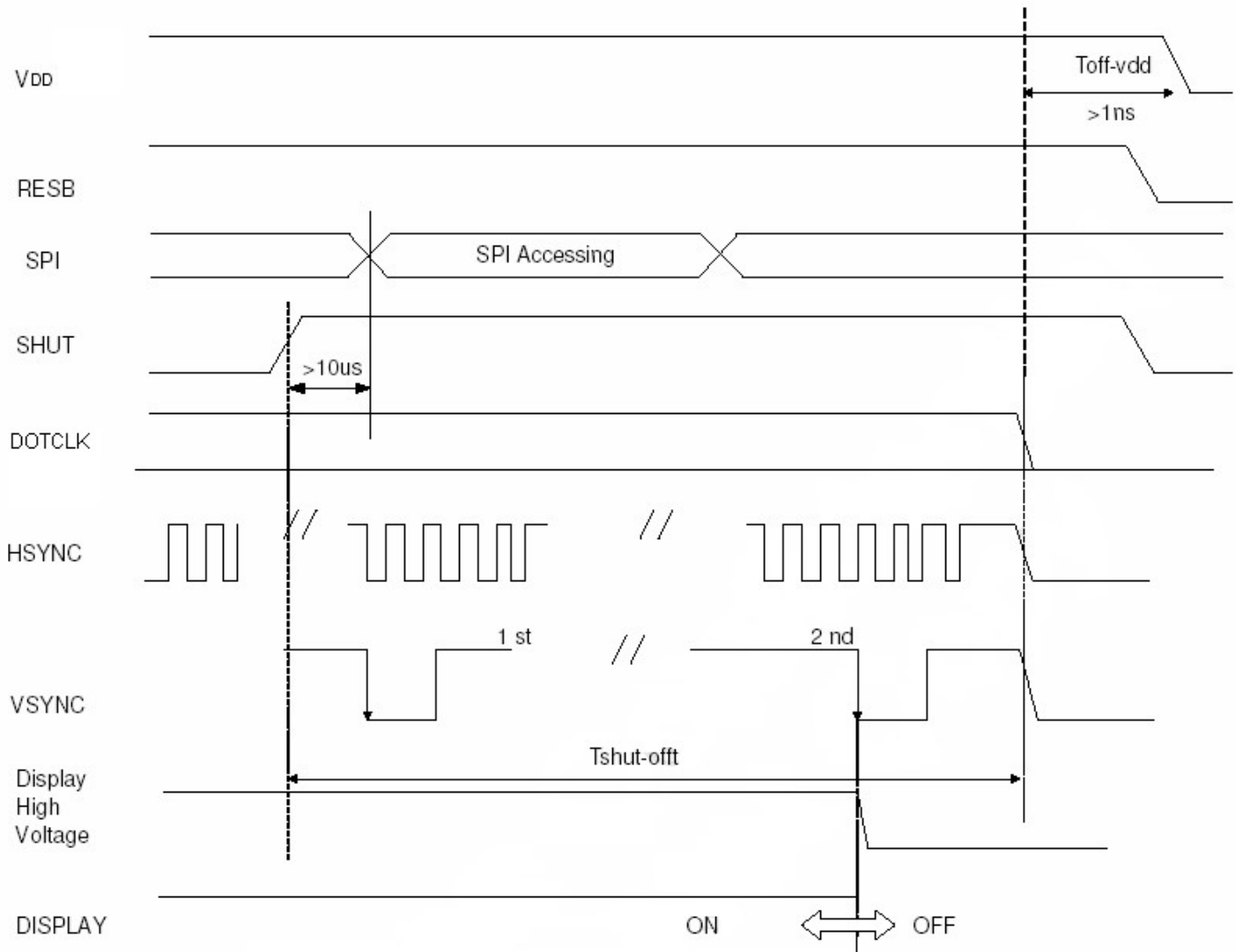
Characteristics	Symbol	Min	Typ	Max	Units
VDD on to falling edge of SHUT	tp-shut	1	-	-	us
DOTCLK	tclk-shut	1	-	-	clk
Falling edge of SHUT to LCD power on	tshut-lcd	-	-	128	ms
Falling edge of SHUT to display start	tshut-on	-	-	14	frame
- 1 line: 408 clk - 1 frame: 262 line - DOTCLK = 6.5MHz		-	166	232.4	ms

Note: It is necessary to input DOTCLK before the falling edge of SHUT.

Display starts at 10th falling edge of VSYNC after the falling edge of SHUT.

Interface PIN No. 48 "Display control" have connected Inverters logic gates to the "SHUT" pin.

2.5.2 Power down sequence



Characteristics	Symbol	Min	Typ	Max	Uni
Rising edge of SHUT to display off	tshut-off	2	-	-	frame
- 1 line: 408 clk - 1 frame: 262 line - DOTCLK = 6.5MHz		33.4	-	-	ms
Input-signal-off to VDD off	toff-vdd	1	-	-	us

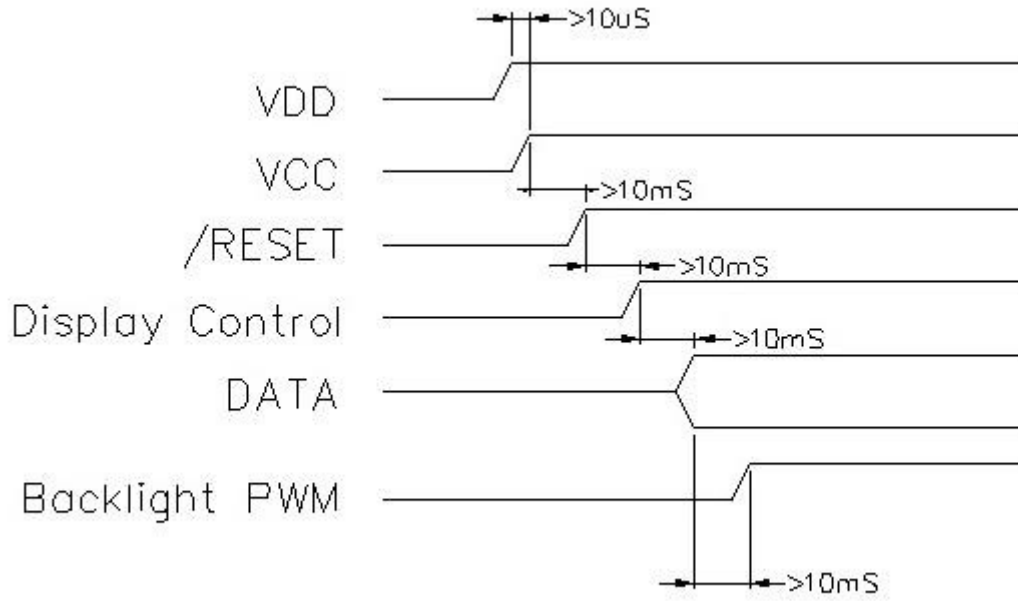
Note: DOTCLK must be maintained at least 2 frames after the rising edge of SHUT.

Display become off at the 2nd falling edge of VSYNC after the falling edge of SHUT.

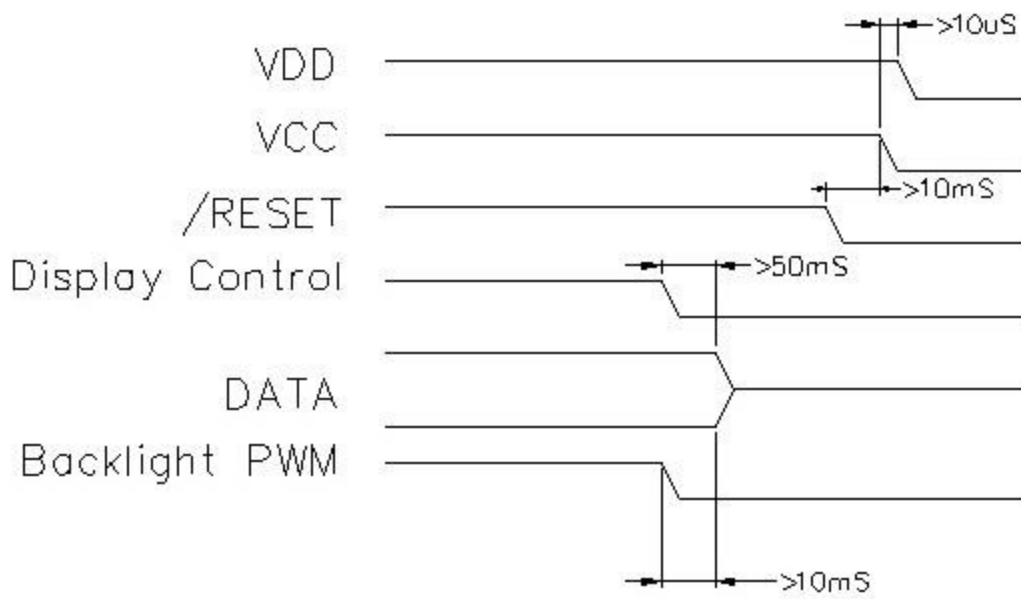
If RESET signal is necessary for power down, provide it after the 2-frames-cycle of the SHUT period.

2.5.3 Power Timing Characteristics of Backlight

POWER ON



POWER OFF



<p>Sales Service</p>	<pre> graph TD Info[Info] --> Claim[Claim] Claim --> Failure[Failure analysis] Failure --> Report[Analysis report] Failure --> Action[Corrective action] Action --> Tracking[Tracking] </pre>
<p>Q.A Activity</p>	<ol style="list-style-type: none"> 1. ISO 9001 Maintenance Activities 2. Process improvement proposal 3. Equipment calibration 4. Education And Training Activities 5. Standardization Management

3.2 Inspection Specification

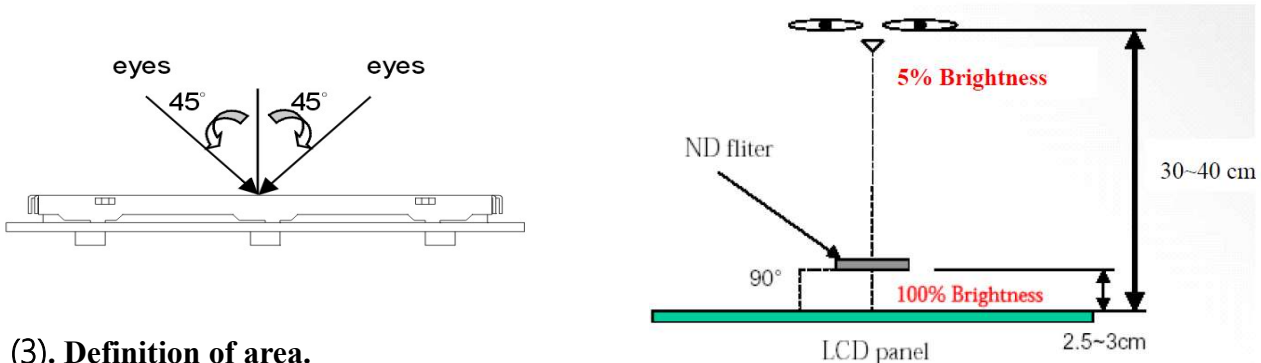
- Scope : The document shall be applied to TFT-LCD Module for 3.5" ~15" (Ver.B01).
- Inspection Standard : MIL-STD-105E Table Normal Inspection Single Sampling Level II.
- Equipment : Gauge 、 MIL-STD 、 Powertip Tester 、 Sample
- Defect Level : Major Defect AQL : 0.4 ; Minor Defect AQL : 1.5
- OUT Going Defect Level : Sampling.
- Standard of the product appearance test :

a. Manner of appearance test :

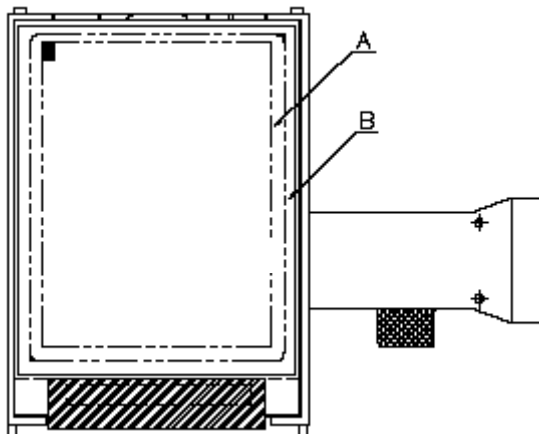
(1). The test best be under 20W×2 fluorescent light(about 300lux ~ 500lux)

· and distance of view must be at 30~40 cm.

(2). The test direction is base on about around 45° of vertical line.



(3). Definition of area.



A area : viewing area

B area : Outside of viewing area

(4). Standard of inspection : (Unit : mm)

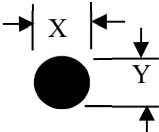
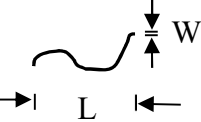
◆Specification For TFT-LCD Module 3.5" ~15" :

(Ver.B01)

NO	Item	Criterion	Level												
01	Product condition	1.1 The part number is inconsistent with work order of production.	Major												
		1.2 Mixed product types.	Major												
		1.3 Assembled in inverse direction.	Major												
02	Quantity	2.1 The quantity is inconsistent with work order of production.	Major												
03	Outline dimension	3.1 Product dimension and structure must conform to structure diagram.	Major												
04	Electrical Testing	4.1 Missing line character and icon.	Major												
		4.2 No function or no display.	Major												
		4.3 Display malfunction.	Major												
		4.4 LCD viewing angle defect.	Major												
		4.5 Current consumption exceeds product specifications.	Major												
		4.6 Mura can not be seen through 5% ND filter at 50% Gray screen , should be judged by the viewing angle of 90 degree.	Minor												
05	Dot defect (Bright dot 、 Dark dot) On -display	<table border="1" style="margin-left: auto; margin-right: auto; border-collapse: collapse; text-align: center;"> <thead> <tr> <th style="width: 10%;"></th> <th style="width: 40%;">Item</th> <th style="width: 50%;">Acceptance (Q'ty)</th> </tr> </thead> <tbody> <tr> <td rowspan="4" style="text-align: center; vertical-align: middle;">Dot Defect</td> <td>Bright Dot</td> <td>≤ 4</td> </tr> <tr> <td>Dark Dot</td> <td>≤ 5</td> </tr> <tr> <td>Joint Dot</td> <td>≤ 3</td> </tr> <tr> <td>Total</td> <td>≤ 7</td> </tr> </tbody> </table> <p>5.1 Inspection pattern : full white , full black , Red , Green and blue screens.</p> <p>5.2 It is defined as dot defect if defect area > 1/2 dot.</p> <p>5.3 The distance between two dot defect ≥ 5 mm.</p> <p>5.4 Bright dot that can not be seen through 5% ND filter.</p>		Item	Acceptance (Q'ty)	Dot Defect	Bright Dot	≤ 4	Dark Dot	≤ 5	Joint Dot	≤ 3	Total	≤ 7	Minor
	Item	Acceptance (Q'ty)													
Dot Defect	Bright Dot	≤ 4													
	Dark Dot	≤ 5													
	Joint Dot	≤ 3													
	Total	≤ 7													

◆Specification For TFT-LCD Module 3.5" ~15" :

(Ver.B01)

NO	Item	Criterion	Level																																																																
06	<p>Black or white dot、scratch、contamination</p> <p>Round type</p>  <p>$\Phi = (x + y) / 2$</p> <p>Line type</p> 	<p>6.1 Round type (Non-display or display) :</p> <table border="1" style="margin-left: auto; margin-right: auto; border-collapse: collapse;"> <thead> <tr> <th rowspan="2">Dimension (diameter : Φ)</th> <th colspan="2">Acceptance (Q'ty)</th> </tr> <tr> <th>A area</th> <th>B area</th> </tr> </thead> <tbody> <tr> <td style="text-align: center;">$\Phi \leq 0.25$</td> <td colspan="2" style="text-align: center;">Ignore</td> </tr> <tr> <td style="text-align: center;">$0.25 < \Phi \leq 0.50$</td> <td colspan="2" style="text-align: center;">5</td> </tr> <tr> <td style="text-align: center;">$\Phi > 0.50$</td> <td colspan="2" style="text-align: center;">0</td> </tr> <tr> <td style="text-align: center;">Total</td> <td colspan="2" style="text-align: center;">5</td> </tr> </tbody> </table> <p>6.2 Line type(Non-display or display) :</p> <table border="1" style="margin-left: auto; margin-right: auto; border-collapse: collapse;"> <thead> <tr> <th rowspan="2">module size</th> <th rowspan="2">Length (L)</th> <th rowspan="2">Width (W)</th> <th colspan="2">Acceptance (Q'ty)</th> </tr> <tr> <th>A area</th> <th>B area</th> </tr> </thead> <tbody> <tr> <td rowspan="5" style="text-align: center; vertical-align: middle;">3.5" to less 9"</td> <td style="text-align: center;">---</td> <td style="text-align: center;">$W \leq 0.03$</td> <td colspan="2" style="text-align: center;">Ignore</td> </tr> <tr> <td style="text-align: center;">$L \leq 10.0$</td> <td style="text-align: center;">$0.03 < W \leq 0.05$</td> <td colspan="2" style="text-align: center;">4</td> </tr> <tr> <td style="text-align: center;">$L \leq 5.0$</td> <td style="text-align: center;">$0.05 < W \leq 0.10$</td> <td colspan="2" style="text-align: center;">2</td> </tr> <tr> <td style="text-align: center;">---</td> <td style="text-align: center;">$W > 0.10$</td> <td colspan="2" style="text-align: center;">As round type</td> </tr> <tr> <td colspan="3" style="text-align: center;">Total</td> <td colspan="2" style="text-align: center;">5</td> </tr> <tr> <td rowspan="5" style="text-align: center; vertical-align: middle;">9" to 15"</td> <td style="text-align: center;">---</td> <td style="text-align: center;">$W \leq 0.05$</td> <td colspan="2" style="text-align: center;">Ignore</td> </tr> <tr> <td style="text-align: center;">$L \leq 10.0$</td> <td style="text-align: center;">$0.05 < W \leq 0.10$</td> <td colspan="2" style="text-align: center;">5</td> </tr> <tr> <td style="text-align: center;">---</td> <td style="text-align: center;">$W > 0.10$</td> <td colspan="2" style="text-align: center;">As round type</td> </tr> <tr> <td colspan="3" style="text-align: center;">Total</td> <td colspan="2" style="text-align: center;">5</td> </tr> </tbody> </table>	Dimension (diameter : Φ)	Acceptance (Q'ty)		A area	B area	$\Phi \leq 0.25$	Ignore		$0.25 < \Phi \leq 0.50$	5		$\Phi > 0.50$	0		Total	5		module size	Length (L)	Width (W)	Acceptance (Q'ty)		A area	B area	3.5" to less 9"	---	$W \leq 0.03$	Ignore		$L \leq 10.0$	$0.03 < W \leq 0.05$	4		$L \leq 5.0$	$0.05 < W \leq 0.10$	2		---	$W > 0.10$	As round type		Total			5		9" to 15"	---	$W \leq 0.05$	Ignore		$L \leq 10.0$	$0.05 < W \leq 0.10$	5		---	$W > 0.10$	As round type		Total			5		Minor
Dimension (diameter : Φ)	Acceptance (Q'ty)																																																																		
	A area	B area																																																																	
$\Phi \leq 0.25$	Ignore																																																																		
$0.25 < \Phi \leq 0.50$	5																																																																		
$\Phi > 0.50$	0																																																																		
Total	5																																																																		
module size	Length (L)	Width (W)	Acceptance (Q'ty)																																																																
			A area	B area																																																															
3.5" to less 9"	---	$W \leq 0.03$	Ignore																																																																
	$L \leq 10.0$	$0.03 < W \leq 0.05$	4																																																																
	$L \leq 5.0$	$0.05 < W \leq 0.10$	2																																																																
	---	$W > 0.10$	As round type																																																																
	Total			5																																																															
9" to 15"	---	$W \leq 0.05$	Ignore																																																																
	$L \leq 10.0$	$0.05 < W \leq 0.10$	5																																																																
	---	$W > 0.10$	As round type																																																																
	Total			5																																																															
	07	<p>Polarizer Bubble</p>	<table border="1" style="margin-left: auto; margin-right: auto; border-collapse: collapse;"> <thead> <tr> <th rowspan="2">Dimension (diameter : Φ)</th> <th colspan="2">Acceptance (Q'ty)</th> </tr> <tr> <th>A area</th> <th>B area</th> </tr> </thead> <tbody> <tr> <td style="text-align: center;">$\Phi \leq 0.25$</td> <td colspan="2" style="text-align: center;">Ignore</td> </tr> <tr> <td style="text-align: center;">$0.25 < \Phi \leq 0.50$</td> <td colspan="2" style="text-align: center;">4</td> </tr> <tr> <td style="text-align: center;">$0.50 < \Phi \leq 0.80$</td> <td colspan="2" style="text-align: center;">1</td> </tr> <tr> <td style="text-align: center;">$\Phi > 0.80$</td> <td colspan="2" style="text-align: center;">0</td> </tr> <tr> <td style="text-align: center;">Total</td> <td colspan="2" style="text-align: center;">5</td> </tr> </tbody> </table>	Dimension (diameter : Φ)	Acceptance (Q'ty)		A area	B area	$\Phi \leq 0.25$	Ignore		$0.25 < \Phi \leq 0.50$	4		$0.50 < \Phi \leq 0.80$	1		$\Phi > 0.80$	0		Total	5		Minor																																											
Dimension (diameter : Φ)	Acceptance (Q'ty)																																																																		
	A area	B area																																																																	
$\Phi \leq 0.25$	Ignore																																																																		
$0.25 < \Phi \leq 0.50$	4																																																																		
$0.50 < \Phi \leq 0.80$	1																																																																		
$\Phi > 0.80$	0																																																																		
Total	5																																																																		

◆Specification For TFT-LCD Module 3.5" ~15" :

(Ver.B01)

NO	Item	Criterion	Level
----	------	-----------	-------

08	The crack of glass	<p>Symbols :</p> <p>X : The length of crack Z : The thickness of crack t : The thickness of glass</p> <p style="text-align: right;">Y : The width of crack. W : terminal length a : LCD side length</p> <hr style="border-top: 1px dashed black;"/> <p>8.1 General glass chip : 8.1.1 Chip on panel surface and crack between panels:</p> <div style="text-align: center;"> </div> <table border="1" style="margin: 20px auto; border-collapse: collapse; text-align: center;"> <thead> <tr> <th style="width: 15%;">X</th> <th style="width: 40%;">Y</th> <th style="width: 45%;">Z</th> </tr> </thead> <tbody> <tr> <td>□ a</td> <td>Crack can't enter viewing area</td> <td>□ 1/2 t</td> </tr> <tr> <td>□ a</td> <td>Crack can't exceed the half of SP width.</td> <td>1/2 t < Z □ 2 t</td> </tr> </tbody> </table>	X	Y	Z	□ a	Crack can't enter viewing area	□ 1/2 t	□ a	Crack can't exceed the half of SP width.	1/2 t < Z □ 2 t	Minor
X	Y	Z										
□ a	Crack can't enter viewing area	□ 1/2 t										
□ a	Crack can't exceed the half of SP width.	1/2 t < Z □ 2 t										

◆Specification For TFT-LCD Module 3.5" ~15" :

(Ver.B01)

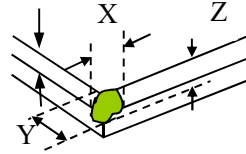
NO	Item	Criterion	Level
----	------	-----------	-------

Symbols :

X : The length of crack
Z : The thickness of crack
t : The thickness of glass

Y : The width of crack.
W : terminal length
a : LCD side length

8.1.2 Corner crack :



X	Y	Z
$\leq 1/5 a$	Crack can't enter viewing area	$Z \leq 1/2 t$
$\leq 1/5 a$	Crack can't exceed the half of SP width.	$1/2 t < Z \leq 2 t$

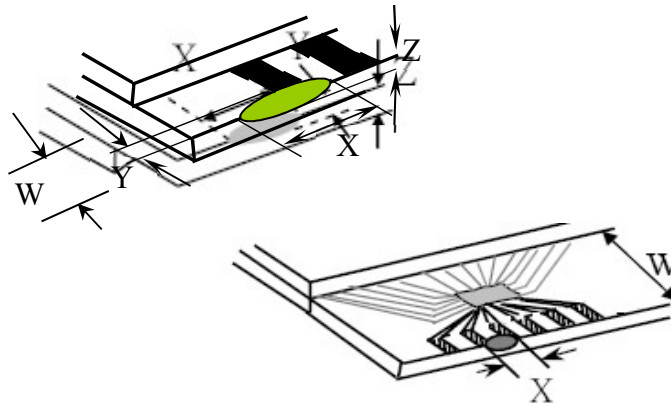
08

The crack of glass

Minor

8.2 Protrusion over terminal :

8.2.1 Chip on electrode pad :



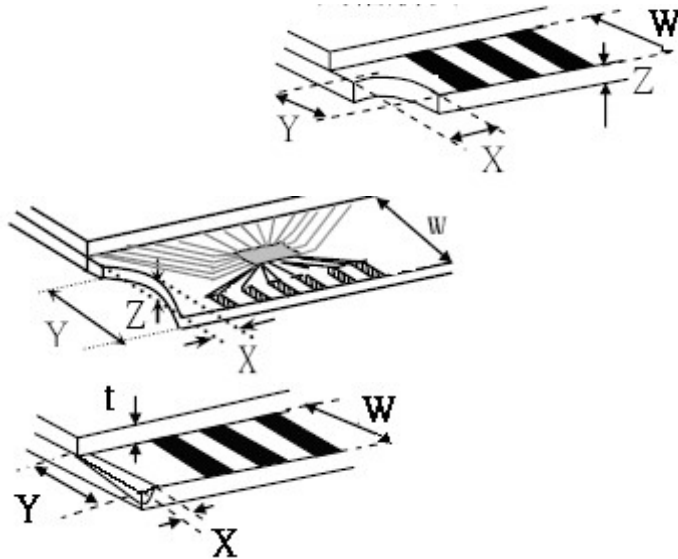
	X	Y	Z
Front	$\leq a$	$\leq 1/2 W$	$\leq t$
Back	$\leq a$	$\leq W$	$\leq 1/2 t$

◆Specification For TFT-LCD Module 3.5" ~15" :

(Ver.B01)

NO	Item	Criterion	Level
08	The crack of glass	Symbols : X : The length of crack Z : The thickness of crack t : The thickness of glass Y : The width of crack. W : terminal length a : LCD side length	Minor

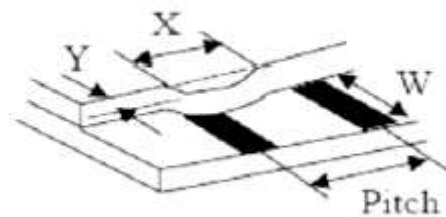
8.2.2 Non-conductive portion :



X	Y	Z
□ 1/3 a	□ W	□ t

- If the chipped area touches the ITO terminal, over 2/3 of
 - the ITO must remain and be inspected according to electrode terminal specifications.

8.2.3 Glass remain :



X	Y	Z
□ a	□ 1/3 W	□ t

8.2.4 Cracking



Not Allowed

◆Specification For TFT-LCD Module 3.5" ~15" :

(Ver.B01)

NO	Item	Criterion	Level
09	Backlight elements	9.1 Backlight can't work normally.	Major
		9.2 Backlight doesn't light or color is wrong.	Major
		9.3 Illumination source flickers when lit.	Major
10	General appearance	10.1 Pin type 、 quantity 、 dimension must match type in structure diagram.	Major
		10.2 No short circuits in components on PCB or FPC .	Major
		10.3 Parts on PCB or FPC must be the same as on the production characteristic chart .There should be no wrong parts , missing parts or excess parts.	Major
		10.4 Product packaging must the same as specified on packaging specification sheet.	Minor
		10.5 The folding and peeled off in polarizer are not acceptable.	Minor
		10.6 The PCB or FPC between B/L assembled distance(PCB or FPC) is ≤ 1.5 mm.	Minor

4. RELIABILITY TEST

4.1 Reliability Test Condition (Ver.B01)

NO.	TEST ITEM	TEST CONDITION										
1	High Temperature Storage Test	Keep in +80 ±5°C 240 hrs Surrounding temperature, then storage at normal condition 4hrs.										
2	Low Temperature Storage Test	Keep in -30 ±5°C 240 hrs Surrounding temperature, then storage at normal condition 4hrs.										
3	High Temperature / High Humidity Storage Test	Keep in +60 °C / 90% R.H duration for 240 hrs Surrounding temperature, then storage at normal condition 4hrs. (Excluding the polarizer)										
4	Temperature Cycling Storage Test	$ \begin{array}{ccccccc} & -30^{\circ}\text{C} & \rightarrow & +25^{\circ}\text{C} & \rightarrow & +80^{\circ}\text{C} & \rightarrow & +25^{\circ}\text{C} \\ & (30\text{mins}) & & (5\text{mins}) & & (30\text{mins}) & & (5\text{mins}) \\ & \longleftarrow & & & & \longrightarrow & & \\ & & & & & & & 20 \text{ Cycle} \end{array} $ Surrounding temperature, then storage at normal condition 4hrs.										
5	ESD Test	<table border="1" style="width: 100%; border-collapse: collapse;"> <tr> <td style="width: 50%; padding: 5px;"> Air Discharge: Apply 2 KV with 5 times Discharge for each polarity +/- </td> <td style="width: 50%; padding: 5px;"> Contact Discharge: Apply 250 V with 5 times discharge for each polarity +/- </td> </tr> </table> <ol style="list-style-type: none"> 1. Temperature ambience : 15°C ~ 35°C 2. Humidity relative : 30% ~ 60% 3. Energy Storage Capacitance(Cs+Cd) : 150pF±10% 4. Discharge Resistance(Rd) : 330Ω±10% 5. Discharge, mode of operation : Single Discharge (time between successive discharges at least 1 sec) (Tolerance if the output voltage indication : ±5%)	Air Discharge: Apply 2 KV with 5 times Discharge for each polarity +/-	Contact Discharge: Apply 250 V with 5 times discharge for each polarity +/-								
Air Discharge: Apply 2 KV with 5 times Discharge for each polarity +/-	Contact Discharge: Apply 250 V with 5 times discharge for each polarity +/-											
6	Vibration Test (Packaged)	<ol style="list-style-type: none"> 1. Sine wave 10 ~ 55 Hz frequency (1 min/sweep) 2. The amplitude of vibration :1.5 mm 3. Each direction (X 、 Y 、 Z) duration for 2 Hrs 										
7	Drop Test (Packaged)	<table border="1" style="width: 100%; border-collapse: collapse; margin-bottom: 10px;"> <thead> <tr> <th style="width: 50%; text-align: center;">Packing Weight (Kg)</th> <th style="width: 50%; text-align: center;">Drop Height (cm)</th> </tr> </thead> <tbody> <tr> <td style="text-align: center;">0 ~ 45.4</td> <td style="text-align: center;">122</td> </tr> <tr> <td style="text-align: center;">45.4 ~ 90.8</td> <td style="text-align: center;">76</td> </tr> <tr> <td style="text-align: center;">90.8 ~ 454</td> <td style="text-align: center;">61</td> </tr> <tr> <td style="text-align: center;">Over 454</td> <td style="text-align: center;">46</td> </tr> </tbody> </table> Drop Direction :※1 corner / 3 edges / 6 sides each 1time	Packing Weight (Kg)	Drop Height (cm)	0 ~ 45.4	122	45.4 ~ 90.8	76	90.8 ~ 454	61	Over 454	46
Packing Weight (Kg)	Drop Height (cm)											
0 ~ 45.4	122											
45.4 ~ 90.8	76											
90.8 ~ 454	61											
Over 454	46											

5. PRECAUTION RELATING PRODUCT HANDLING

5.1 SAFETY

- 5.1.1 If the LCD panel breaks , be careful not to get the liquid crystal to touch your skin.
- 5.1.2 If the liquid crystal touches your skin or clothes , please wash it off immediately by using soap and water.

5.2 HANDLING

- 5.2.1 Avoid any strong mechanical shock which can break the glass.
- 5.2.2 Avoid static electricity which can damage the CMOS LSI—When working with the module , be sure to ground your body and any electrical equipment you may be using.
- 5.2.3 Do not remove the panel or frame from the module.
- 5.2.4 The polarizing plate of the display is very fragile. So , please handle it very carefully ,do not touch , push or rub the exposed polarizing with anything harder than an HB pencil lead (glass , tweezers , etc.)
- 5.2.5 Do not wipe the polarizing plate with a dry cloth , as it may easily scratch the surface of plate.
- 5.2.6 Do not touch the display area with bare hands , this will stain the display area.
- 5.2.7 Do not use ketonics solvent & aromatic solvent. Use with a soft cloth soaked with a cleaning naphtha solvent.
- 5.2.8 To control temperature and time of soldering is $320\pm 10^{\circ}\text{C}$ and 3-5 sec.
- 5.2.9 To avoid liquid (include organic solvent) stained on LCM .
- 5.2.10 Caution!(LCM products with Capacitive Touch Panel)
Strong EMI-sources such as switch-mode power supplies (SMPS) can lead to touch malfunction (e.g. ghost-touches).
Therefore, the touch needs to be thoroughly tested inside the target application.
- 5.2.11 Do not let the LCD screen display static images (text, logos or pictures) for a prolonged period of time to prevent possible image burn-in.

5.3 STORAGE

- 5.3.1 Store the panel or module in a dark place where the temperature is $25^{\circ}\text{C} \pm 5^{\circ}\text{C}$ and the humidity is below 65% RH.
- 5.3.2 Do not place the module near organics solvents or corrosive gases.
- 5.3.3 Do not crush , shake , or jolt the module.

5.4 TERMS OF WARRANTY

- 5.4.1 Applicable warrant period
The period is within thirteen months since the date of shipping out under normal using and storage conditions.
- 5.4.2 Unaccepted responsibility
This product has been manufactured to your company's specification as a part for use in your company's general electronic products. It is guaranteed to perform according to delivery specifications. For any other use apart from general electronic equipment , we cannot take responsibility if the product is used in nuclear power control equipment , aerospace equipment , fire and security systems or any other applications in which there is a direct risk to human life and where extremely high levels of reliability are required.



ALL TECHNOLOGIES. ALL COMPETENCIES. ONE SPECIALIST.



DATA MODUL AG
Landsberger Straße 322
DE-80687 Munich
Phone: +49-89-56017-0

DATA MODUL WEIKERSHEIM GMBH
Lindenstraße 8
DE-97990 Weikersheim
Phone: +49-7934-101-0



More information and worldwide locations can be found at

www.data-modul.com