



SPECIFICATION

easy // **TOUCH
DISPLAY**

eTD043W2105-POA-E (12039375)

4.3" – 480x272 - COF

Version: 1.3

Date: 20.01.2020

Note: This specification is subject to change without prior notice

Content

1. SPECIFICATIONS	3
1.1 Features	3
1.2 Mechanical Specifications	3
1.3 Absolute Maximum Ratings	4
1.4 DC Electrical Characteristics	4
1.5 Optical Characteristics	5
1.6 Backlight Characteristics	8
1.7 Touch Panel Characteristics	9
1.8 Touch Performance	9
2. MODULE STRUCTURE	10
2.1 Counter Drawing	10
2.1.1 LCM Mechanical Diagram	10
2.1.2 Block Diagram	10
2.2 Interface Pin Description	11
2.3 Touch Panel Description	13
2.3.1 Block Diagram	14
2.3.2 I2C Operation	14
2.3.3 USB Operation	14
2.4 TFT LCM Timing Characteristics	15
2.4.1 Clock and Data Input Waveforms	15
2.4.2 Data Input Format	17
2.4.3 3-wire Timing Diagram	19
2.4.4 Power Sequence	20
3. QUALITY ASSURANCE SYSTEM	21
3.1 Quality Assurance Flow Chart	21
3.2. Inspection Specification	23
4. RELIABILITY TEST	30
4.1 Reliability Test Condition (Ver.B01)	30
5. PRECAUTION RELATING PRODUCT HANDLING	31
5.1 SAFETY	31
5.2 HANDLING	31
5.3 STORAGE	31
5.4 TERMS OF WARRANTY	31

1. SPECIFICATIONS

1.1 Features

Item	Standard Value
Display Resolution	480*3(RGB) * 272 Dots
LCD Type	a-Si TFT, Normally white, Transmissive type
Screen size(inch)	4.3 inch
Viewing Direction	6 O'clock
Surface treatment	Anti-Glare(LCD)
	Clear(T/P)
Color configuration	R, G, B Vertical Stripe
Interface	24 Bits RGB Interface
Driver IC	ILI6480B
ROHS	THIS PRODUCT CONFORMS THE ROHS OF PTC Detail information please refer website : http://www.powertip.com.tw/news.php?area_id_view=1085560481/

1.2 Mechanical Specifications

Item	Standard Value	Unit
Outline Dimension	123.34(W) x 82.14 (L) x 4.53(H)	mm

LCD panel

Item	Standard Value	Unit
Active Area	95.04 (W) x 53.86 (L)	mm

Note: For detailed information please refer to LCM drawing.

1.3 Absolute Maximum Ratings

Module

Item	Symbol	Condition	Min.	Max.	Unit
Power Supply for TFT Panel	V _{DD}	GND=0V	-0.3	4.5	V
Power Supply for Backlight Unit	V _{CC}	GND=0V	-0.3	+20.0	V
Operating Temperature	T _{OP} (Ts)	Note 1	-20	+70	°C
Storage Temperature	T _{ST} (Ta)	Note 2	-30	+80	°C
Storage Humidity	H _D	Ta ≦ 60 °C	10	90	%

The absolute maximum rating values of this product are not allowed to be exceeded at any times. Should a module be used with any of the absolute maximum ratings exceeded, the characteristics of the module may not be recovered, or in an extreme case, the module may be permanently destroyed.

Note 1 : Ts is the temperature of panel's surface.

Note 2 : Ta is the ambient temperature of samples.

1.4 DC Electrical Characteristics

Module

GND = 0V, Ta = 25°C

Item	Symbol	Condition	Min.	Typ.	Max.	Unit
Power Supply for Backlight Unit	V _{CC}	GND=0V	5	12	15	V
Input Voltage for TFT Panel	V _{IH}	GND=0V	0.7V _{DD}	-	V _{DD}	V
	V _{IL}	GND=0V	0	-	0.3V _{DD}	
Supply Current for TFT Panel	I _{DD}	I _{DD} @V _{DD} =3.3V	-	13	20	mA
Supply Current for Backlight Unit	I _{CC}	I _{CC} @V _{CC} =5V	-	180	270	
Supply Current for Backlight Unit	I _{CC}	I _{CC} @V _{CC} =12V	-	160	240	
Input Voltage for PWM Signal	V _{PH}	GND=0V	1.2	-	-	V
	V _{PL}	GND=0V	-	-	0.4	V
Dimming Clock Rate	f _P	GND=0V	5	-	100	KHz

1.5 Optical Characteristics

VDD = 3.3 V, Ta=25°C

Item	Symbol	Condition	Min.	Typ.	Max.	unit		
Response time	Tr + Tf	-	-	29	44	ms	Note2	
Viewing angle	Top	$\theta+$	CR \geq 10	-	60	-	Deg.	Note4
	Bottom	$\theta-$		-	60	-		
	Left	θ_L		-	60	-		
	Right	θ_R		-	60	-		
Contrast ratio	CR	-	500	600	-	-	-	
Color of CIE Coordinate (B/L & T/P)	White	X	VCC=5V PWM="High" (Duty=100%)	0.25	0.30	0.35	-	Note1
		Y		0.28	0.33	0.38		
	Red	X		0.53	0.58	0.63		
		Y		0.28	0.33	0.38		
	Green	X		0.29	0.34	0.39		
		Y		0.56	0.61	0.66		
	Blue	X		0.10	0.15	0.20		
		Y		0.02	0.07	0.12		
Average Brightness Pattern=white display (B/L & T/P)*1	IV	VCC=5V PWM="High" (Duty=100%)	400	560	-	cd/m ²	Note1	
Uniformity (B/L & T/P)*2	ΔB	(Duty=100%)	70	-	-	%	Note1	

Note 1:

*1 : $\Delta B = B(\min) / B(\max) * 100\%$

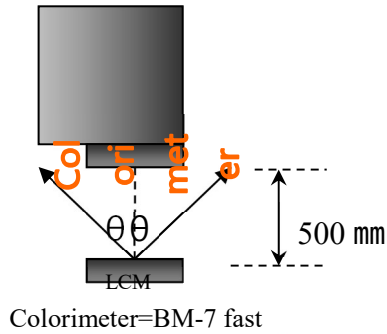
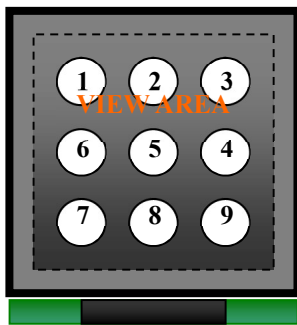
*2 : Measurement Condition for Optical Characteristics:

a : Environment: $25 \pm 5^\circ\text{C} / 60 \pm 20\% \text{R.H}$ · no wind · dark room below 10 Lux at typical lamp current and typical operating frequency.

b : Measurement Distance: $500 \pm 50 \text{ mm}$ · ($\theta = 0^\circ$)

c : Equipment: TOPCON BM-7 fast · (field 1°) · after 10 minutes operation.

d : The uncertainty of the C.I.E coordinate measurement ± 0.01 · Average Brightness $\pm 4\%$

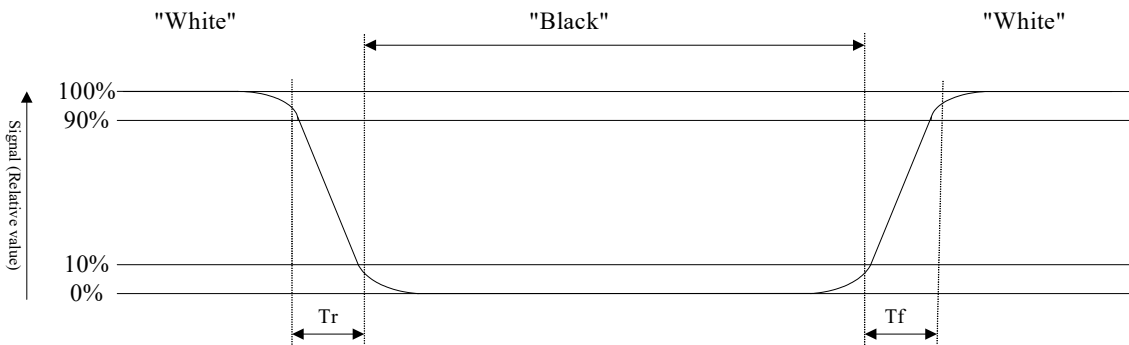


To be measured at the center area of panel with a viewing cone of 1° by Topcon luminance meter BM-7, after 10 minutes operation (module)

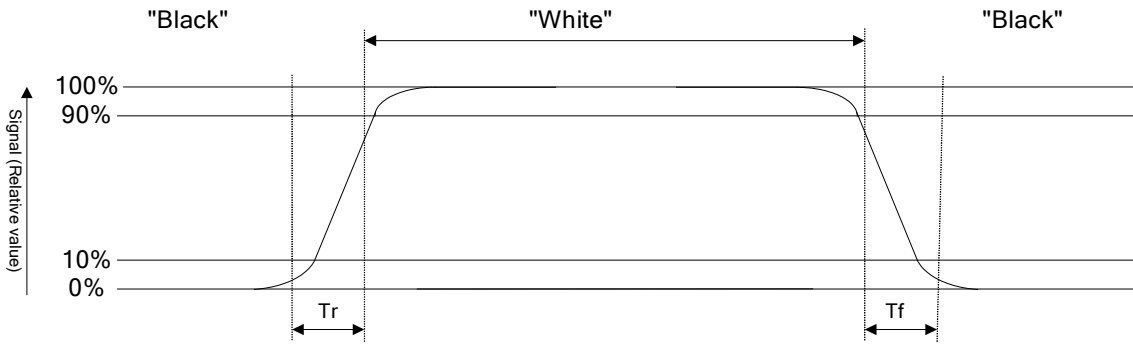
Note2: Definition of response time:

The output signals of photo detector are measured when the input signals are changed from "black" to "white"(falling time) and from "white" to "black"(rising time), respectively. The response time is defined as the time interval between the 10% and 90% of Amplitudes.

Refer to figure as below:
Normally White



Normally Black



Note3: Definition of contrast ratio:

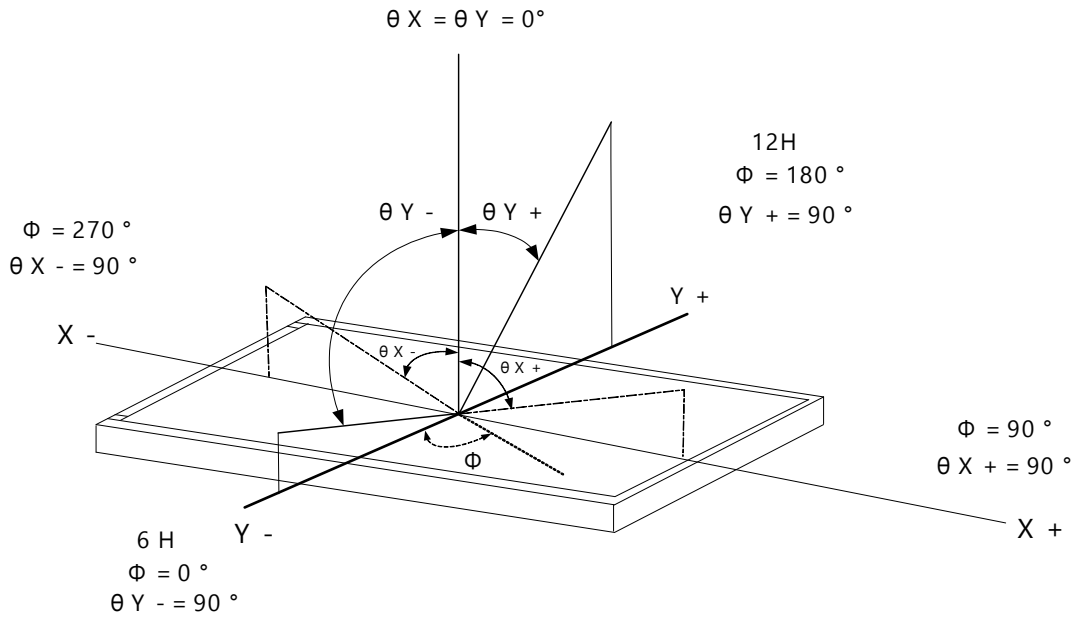
Contrast ratio is calculated with the following formula

Photo detector output when LCD is at "White" state

$$\text{Contrast ratio (CR)} = \frac{\text{Photo detector output when LCD is at "White" state}}{\text{Photo detector output when LCD is at "Black" state}}$$

Note4: Definition of viewing angle:

Refer to figure as below:



1.6 Backlight Characteristics

Maximum Ratings

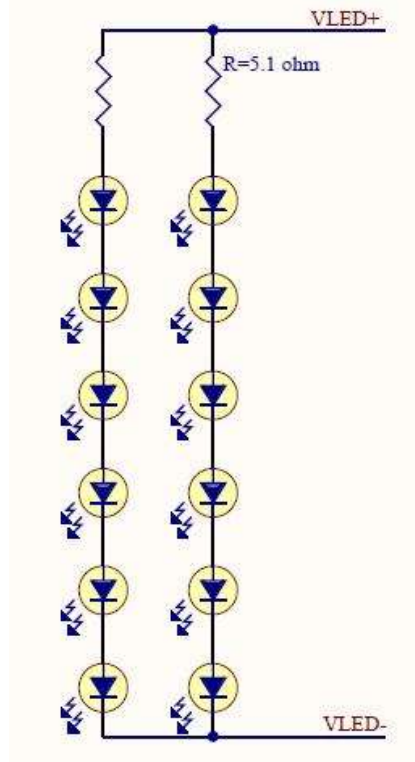
Item	Symbol	Min.	Max.	Unit	Remark
LED Forward Current	I_F	30		mA	One LED
LED Reverse Voltage	V_R	5		V	

Electrical / Optical Characteristics

Item	Symbol	Min.	Typ.	Max.	Unit	Remark
LED Voltage	V_L	17.6	19.2	20.4	V	Note1
LED Current	I_L	-	40	-	mA	-
LED life time	-	50000	-	-	HR	Note2

Note 1: The LED Supply Voltage is defined by the number of LED at $T_a=25^\circ\text{C}$ and $I_L=40\text{ mA}$.

Note 2: The "LED life time" is defined as the module brightness decrease to 50% original brightness at $T_a=25^\circ\text{C}$ and $I_L=40\text{ mA}$. The LED life time could be decreased if operating I_L is larger than 40 mA.



1.7 Touch Panel Characteristics Features

Item	Standard Value
Touch Panel Size	4.3"
Touch type	Projective Capacitive Touch Panel
Input Method	Finger / 10 Points touch
Output Interface	I ² C / USB
IC	ILI2511
I ² C Address	0x41(7bit)

Mechanical Specifications

Item	Standard Value	Unit
Viewing Area	96.10 (W) x 54.90 (H)	-
Number of sensing channel	TX11 * RX19	-

Absolute Maximum Ratings

Item	Symbol	Condition	Min.	Max.	Unit
Supply voltage	TPVDD	Ta = 25°C	-0.3	+6.0	V
Operating Temperature	T _{OP}	Ta = 25°C	-10	+60	°C
Storage Temperature	T _{ST}	Ta = 25°C	-20	+70	°C

DC Electrical Characteristics

Item	Symbol	Condition	Min.	Typ.	Max.	Unit
Power Supply Voltage	TPVDD	Ta = 25°C	3.5	-	6.0	V

Optical Characteristics

Item	Standard Value	Unit
Total light transmittance	86% or more	-
Hardness	≥6H	-

1.8 Touch Performance

This touch device offers operation with 10 fingers simultaneously. It is intended for indoor use in industrial applications.

This module is designed to have single touch functionality when operating with freshwater. It is not designed to have functionality when operating with saltwater. Ghost touches may occur and operation might not be possible.

The module is designed to have limited functionality when operating with thin gloves.

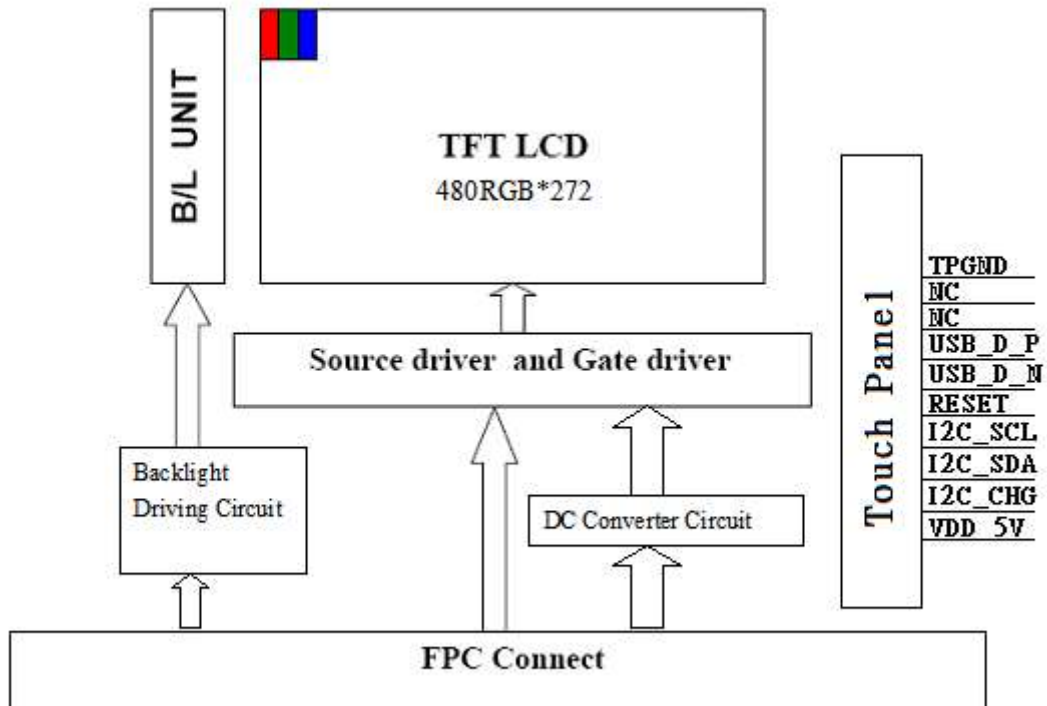
2. MODULE STRUCTURE

2.1 Counter Drawing

2.1.1 LCM Mechanical Diagram

* See Appendix

2.1.2 Block Diagram



2.2 Interface Pin Description

TFT LCM Interface

Pin#	Name	DESCRIPTION
1	GND	Power ground.
2	VDD	Power for Digital Circuit.
3	VDD	Power for Digital Circuit.
4	VCC	Power For LED backlight.
5	VCC	Power For LED backlight.
6	PWM	Shutdown & Dimming control input for backlight. Do not allow this pin to float. "Hi" =100%, "Low" = 0%.
7	GND	Power ground.
8	R0	Red Data.
9	R1	Red Data.
10	R2	Red Data.
11	R3	Red Data.
12	GND	Power ground.
13	R4	Red Data.
14	R5	Red Data.
15	R6	Red Data.
16	R7	Red Data.
17	GND	Power ground.
18	G0	Green Data.
19	G1	Green Data.
20	G2	Green Data.
21	G3	Green Data.
22	GND	Power ground.
23	G4	Green Data.
24	G5	Green Data.
25	G6	Green Data.
26	G7	Green Data.
27	GND	Power ground.

Pin#	Name	DESCRIPTION
28	B0	Blue Data.
29	B1	Blue Data.
30	B2	Blue Data.

31	B3	Blue Data.
32	GND	Power ground.
33	B4	Blue Data.
34	B5	Blue Data.
35	B6	Blue Data.
36	B7	Blue Data.
37	GND	Power ground.
38	HS	Line synchronization signal. Horizontal Sync Input.
39	VS	Frame synchronization signal. Vertical Sync Input.
40	GND	Power ground.
41	DE	Display enable pin from controller. Data Input Enable.
42	GND	Power ground.
43	DCLK	Sample clock. Data will be latched at the falling edge of DCLK.
44	GND	Power ground.
45	CS(NC) / ID1	No Function. / ID [4:1] These pins select LCM type.
46	SDIN(NC) / ID2	No Function. / ID [4:1] These pins select LCM type.
47	SCK(NC) / ID3	No Function. / ID [4:1] These pins select LCM type.
48	DISPLAY CONTROL / ID4	Display Enable (Hi Active). / ID [4:1] These pins select LCM type.
49	/RESET	Global Reset (Low Active).
50	GND	Power ground.

Capacitive Touch Panel (CTP) Interface

Pin#	Name	DESCRIPTION
1	TPVDD	Power supply for touch panel
2	I2C_CHG	Interrupt
3	I2C_SDA	Serial data line
4	I2C_SCL	Serial clock line
5	Reset	Reset
6	USB_D_N	D-
7	USB_D_P	D+
8	NC	NC
9	NC	NC
10	GND	GND

2.3 Touch Panel Description

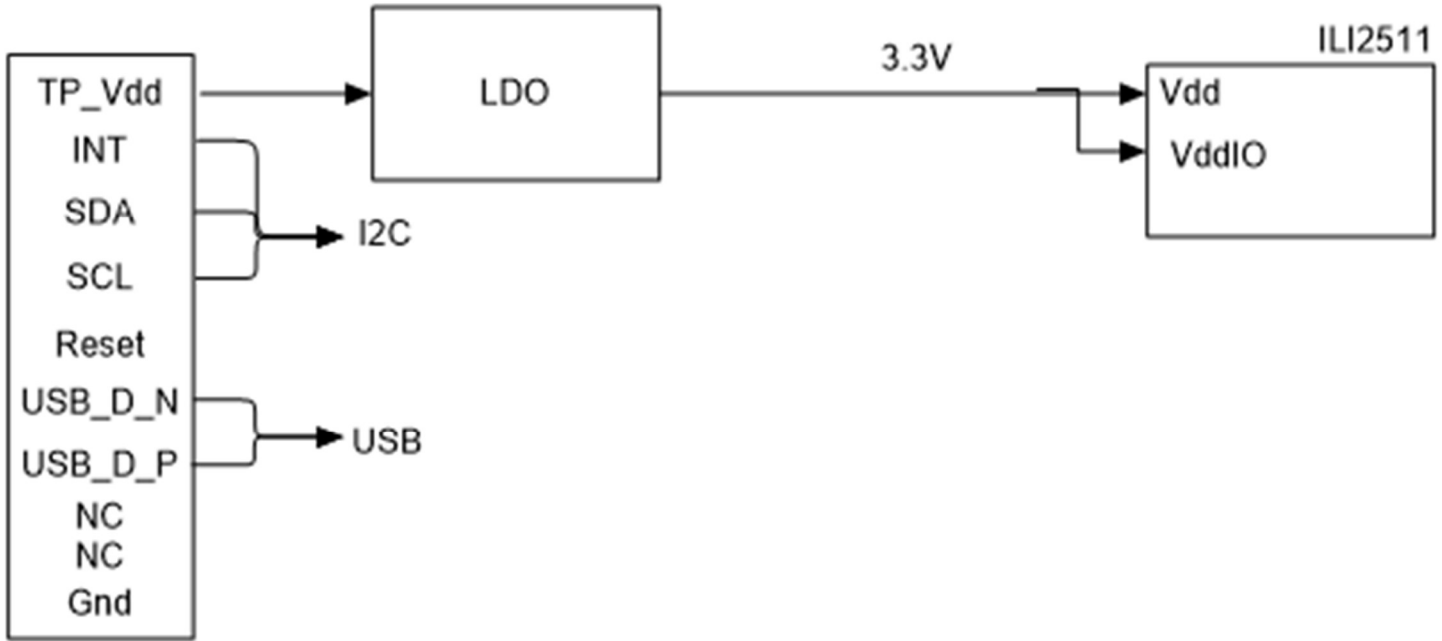
The touch panel can be operated either via I2C or via USB. A list of supported operating system is given in the following table. For drivers listed in the table, please contact your regional Data Modul sales contact.

A recommended connector for the touch tail is OMRON XF2M-1015-1A.

For easy design-in, Data Modul can provide additionally an adaptor for I2C and USB connection (incl. corresponding USB cable). Please contact your regional Data Modul sales contact for further details.

System	Interface	Function	Driver Version	Document
Windows 10 Windows 8 Embedded 8.1 Industry Embedded 8.1 Pro Embedded 8 Standard	USB	Multi Touch	Windows In-Box Driver	N/A
Windows 7 Windows Embedded 7 Embedded Enterprise 7 Embedded Standard 7 Embedded POSReady7	USB	Multi Touch	Windows In-Box Driver	N/A
Linux 2.6.36 Upward	USB	Multi Touch	Linux In-Box Driver	N/A
Linux 2.6.36 Upward	I2C	Multi Touch	ilitek_limv5_7_0_0	ILITEK_LINUX_I2C_DRIVER_CHS_V0.0.6
RTOS	I2C	Depends on system	NA	Please contact your Data Modul Sales Representative I

2.3.1 Block Diagram



2.3.2 I2C Operation

TP_VDD, I2C_CHG, I2C_SDA, I2C_SCL and RESET lines are needed for I2C operation. External pull up resistors on SDA and SCL lines are required (recommendation 4.7kΩ). On INT as well as Reset line, there is no additional pull up resistors required. Please note that VddIO voltage is always 3.3V since this voltage is derived from the LDO on the flex tail.

For detailed documentation on the software integration of I2C, please contact your regional Data Modul sales contact.

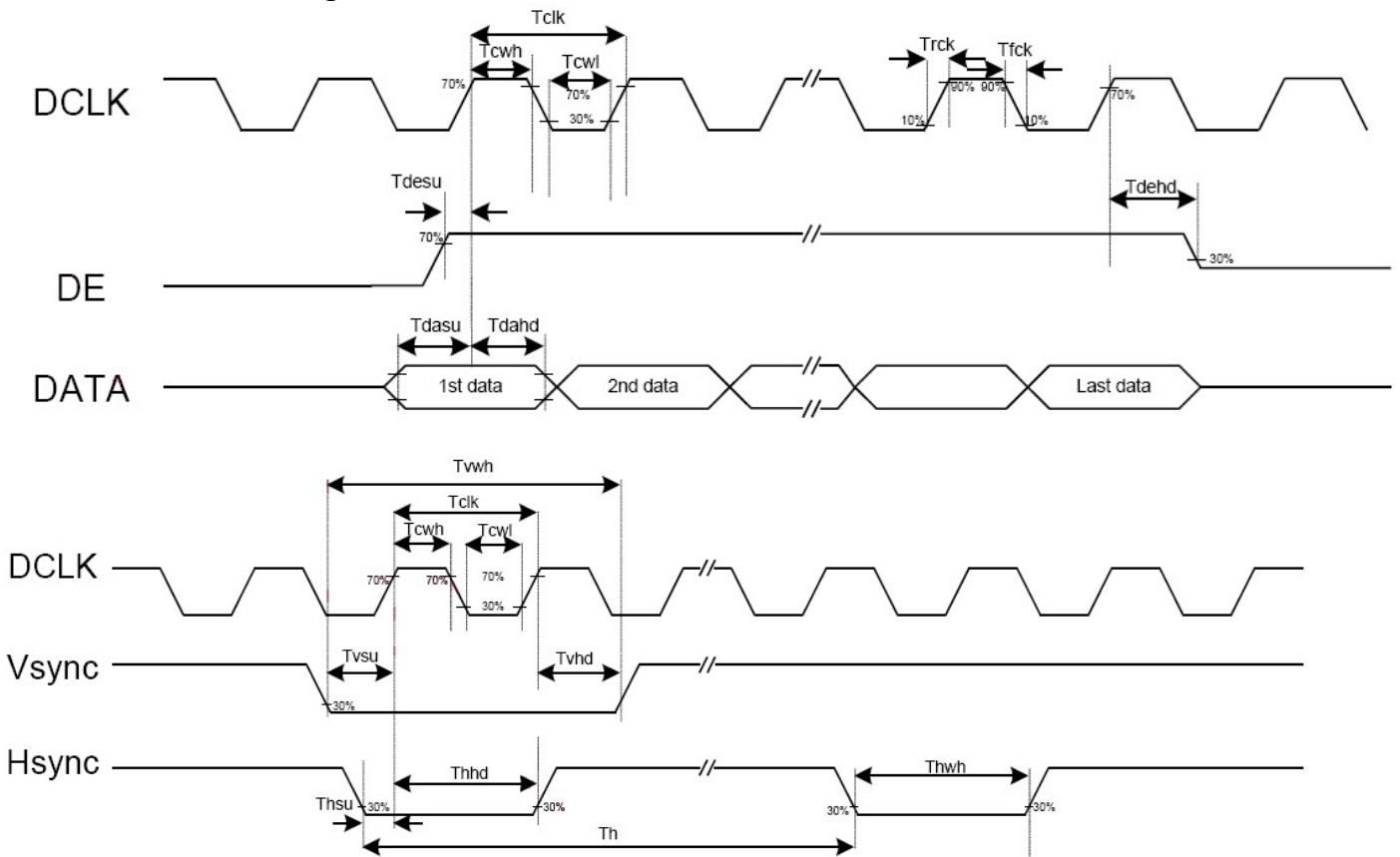
2.3.3 USB Operation

TP_VDD, USB_D_N and USB_D_P are needed for USB operation. The TP will work with most Windows version out of the box using built-in drivers (HIDUSB driver) as well as with Linux.

Please note that Data Module offers the easyAnalyzer, a visualization and evaluation software, for Windows as well as x86 Linux systems. Please contact your regional Data Modul sales contact for further details.

2.4 TFT LCM Timing Characteristics

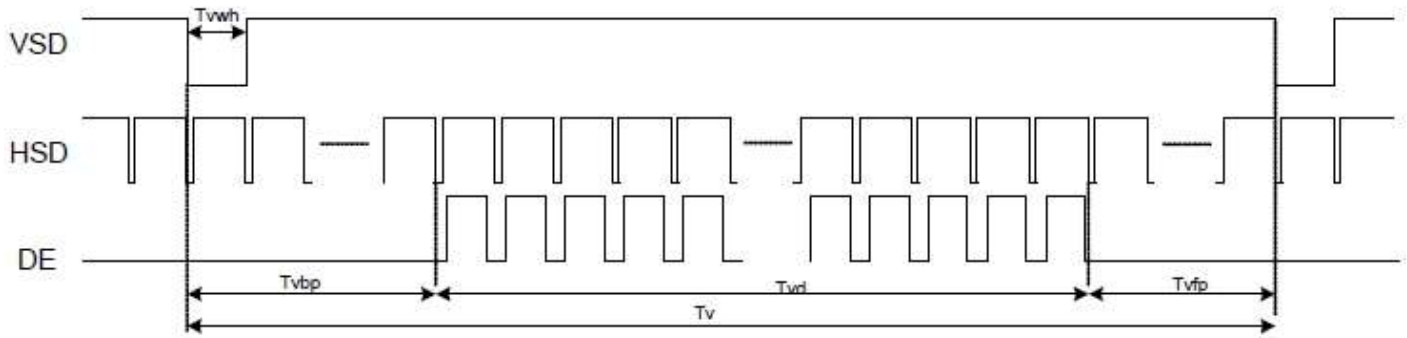
2.4.1 Clock and Data Input Waveforms



Parameters	Symbol	Min.	Typ.	Max.	Unit	Conditions
System operation timing						
VDD power source slew time	TPOR	-	-	20	ms	From 0V to 99% VDD
GRB pulse width	tRSTW	10	50	-	us	R=10Kohm, C=1uF
Input Output timing						
DCLK clock time	Tclk	33.3	-	-	ns	DCLK=30MHz
DCLK clock low period	Tcwl	40	-	60	%	
DCLK clock high period	Tcwh	40	-	60	%	
Clock rising time	Trck	9	-	-	ns	
Clock falling time	Tfck	9	-	-	ns	
HSD width	Thwh	1	-	-	DCLK	
HSD period time	Th	55	60	65	us	
HSD setup time	Thsu	12	-	-	ns	
HSD hold time	Thhd	12	-	-	ns	
VSD width	Tvwh	1	-	-	Th	
VSD setup time	Tvsu	12	-	-	ns	
VSD hold time	Tvhd	12	-	-	ns	
Data setup time	Tdasu	12	-	-	ns	
Data hold time	Tdahd	12	-	-	ns	
DE setup time	Tdesu	12	-	-	ns	
DE hold time	Tdehd	12	-	-	ns	
Source output setting time	Tsst	-	-	TBD	us	10% to 90% CL=60pF, RL=2Kohm
Gate output setting time	Tgst	-	-	TBD	ns	10% to 90%, CL=60pF
VCOM output setting time	Tcst	-	-	TBD	us	10% to 90%, CL=40nF, RL=50ohm
Time from VSD to 1st line data input	Tvs	3	8	31	Th	HV mode By HDL[4:0] setting

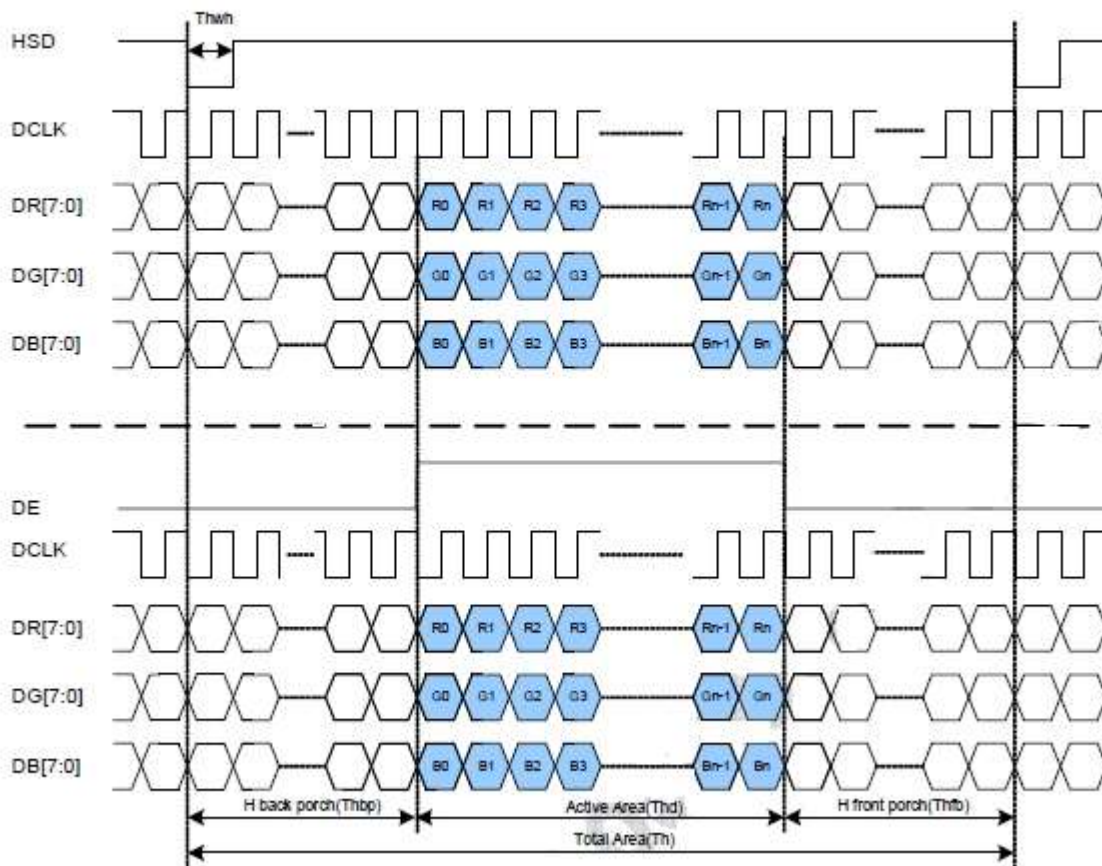
2.4.2 Data Input Format

Vertical input timing

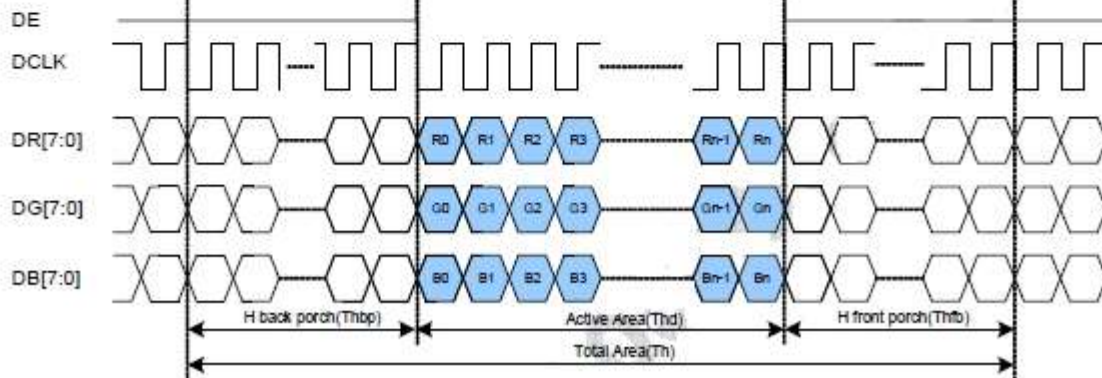


Parallel RGB Mode Data format

(HV Mode)



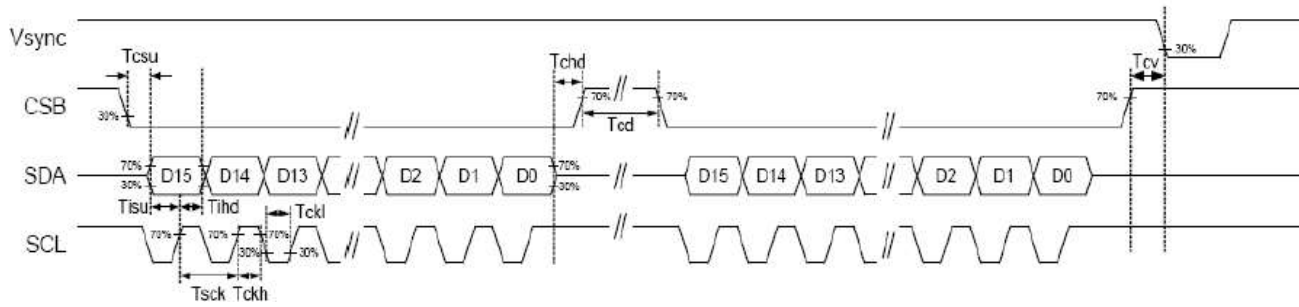
(DE Mode)



Parallel RGB input timign table

Parameters	Symbol	Value			Unit
		Min.	Typ.	Max.	
DCLK frequency	Fclk	5	9	12	MHz
VSYNC period time	Tv	277	288	400	H
VSYNC display area	Tvd	272			H
VSYNC back porch	Tvb	3	8	31	H
VSYNC front porch	Tvfp	2	8	97	H
HSYNC period time	Th	520	525	800	DCLK
HSYNC display area	Thd	480			DCLK
HSYNC back porch	Thbp	36	40	255	DCLK
HSYNC front porch	Thfp	4	5	65	DCLK

2.4.3 3-wire Timing Diagram

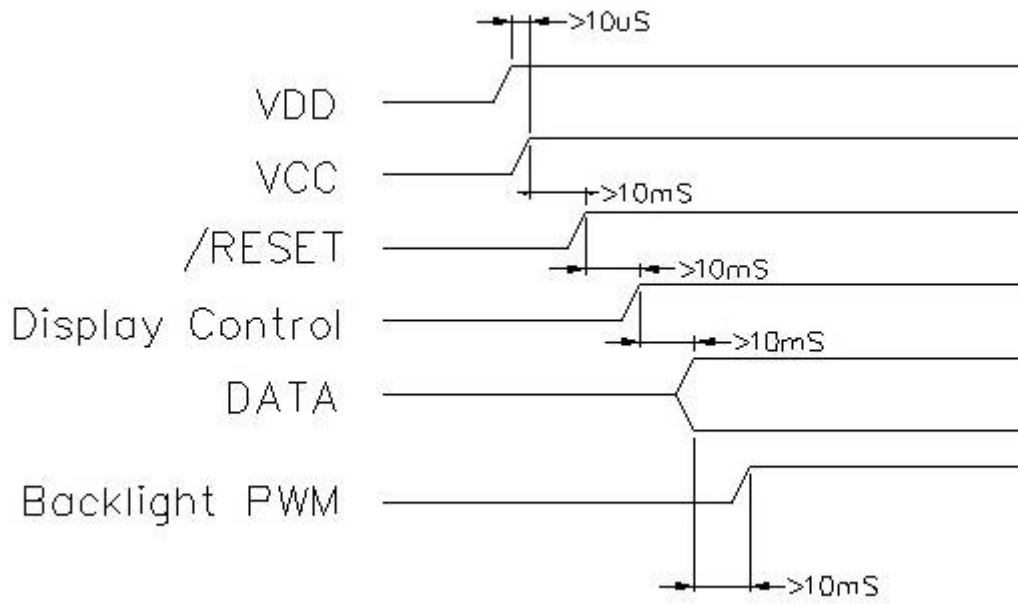


3-wire serial communication AC timing

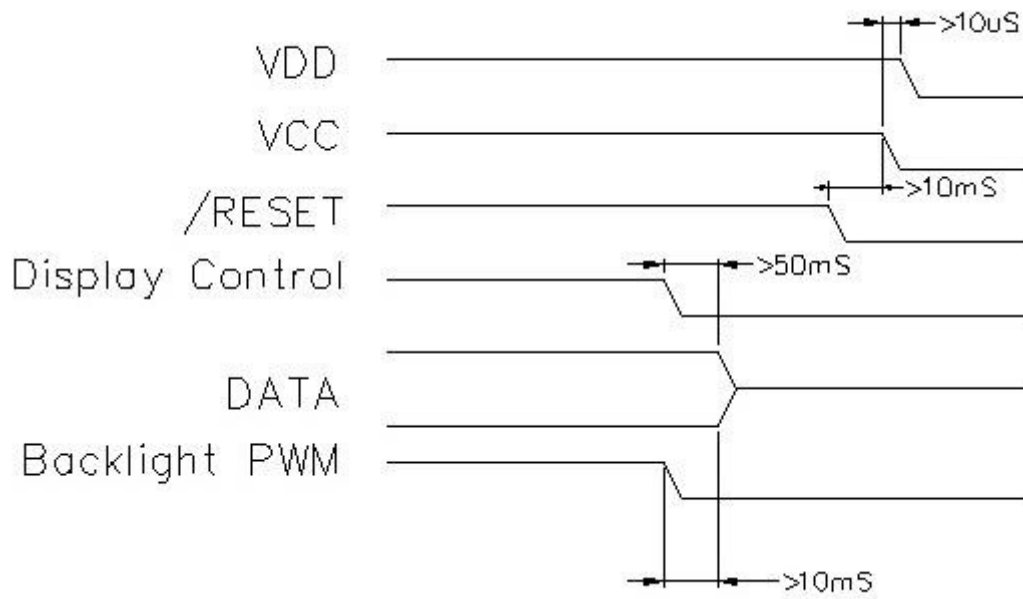
Serial clock	Tsck	200	-	-	ns	For SCL Pin
SCL pulse low period	Tckl	40	-	60	%	
SCL pulse high period	Tckh	40	-	60	%	
Serial data setup time	Tisu	50	-	-	ns	
Serial data hold time	Tihd	50	-	-	ns	
Serial clock high/low	Tssw	50	-	-	ns	
CSB to VSD	Tcv	1			us	
CSB distinguish time	Tcd	400	-	-	ns	
CSB input setup time	Tcsu	50	-	-	ns	
CSB input hold time	Tchd	50	-	-	ns	

2.4.4 Power Sequence

POWER ON

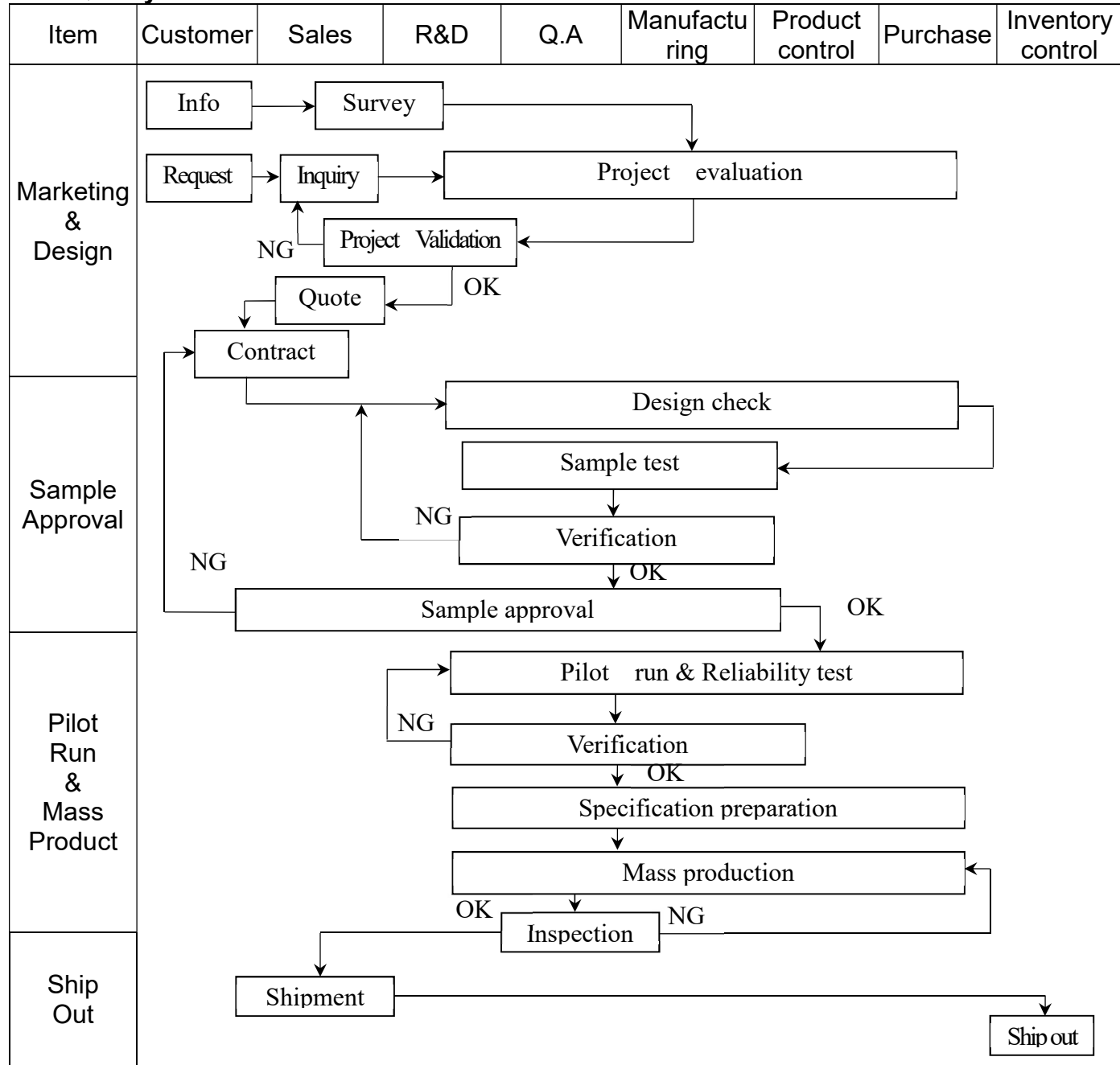


POWER OFF



3. QUALITY ASSURANCE SYSTEM

3.1 Quality Assurance Flow Chart



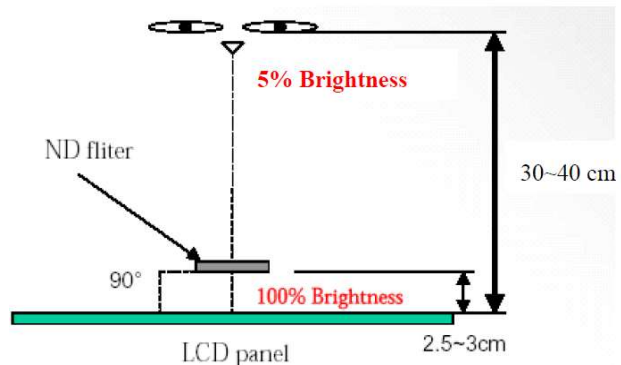
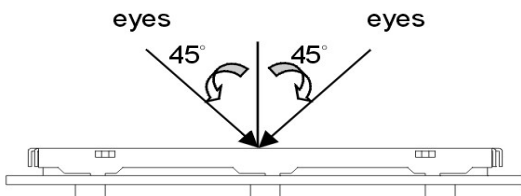
Item	Customer	Sales	R&D	Q.A	Manufacturing	Product control	Purchase	Inventory control
Sales Service	<pre> graph TD Info[Info] --> Claim[Claim] Claim --> Failure[Failure analysis] Failure --> Report[Analysis report] Failure --> Action[Corrective action] Action --> Tracking[Tracking] </pre>							
Q.A Activity	1. ISO 9001 Maintenance Activities 3. Equipment calibration 5. Standardization Management				2. Process improvement proposal 4. Education And Training Activities			

3.2. Inspection Specification

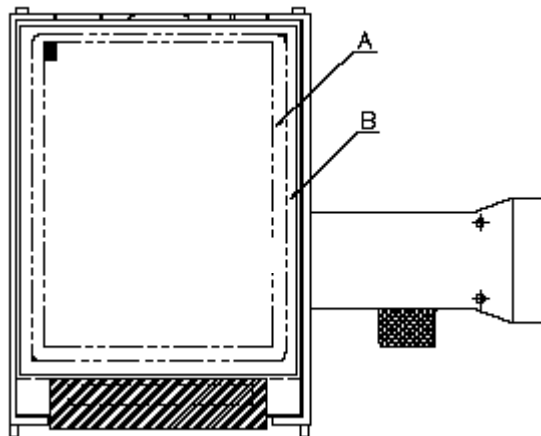
- ◆Scope: The document shall be applied to TFT-LCD Module for 3.5" -15" (Ver.B01).
- ◆Inspection Standard: MIL-STD-105E Table Normal Inspection Single Sampling Level II.
- ◆Equipment: Gauge, MIL-STD, Powertip Tester, Sample
- ◆Defect Level: Major Defect AQL: 0.4; Minor Defect AQL: 1.5
- ◆OUT Going Defect Level: Sampling.
- ◆Standard of the product appearance test:

a. Manner of appearance test:

- (1). The test best be under 20W×2 fluorescent light(about 300lux ~ 500lux)
 , and distance of view must be at 30~40 cm.
- (2). The test direction is base on about around 45° of vertical line.



(3). Definition of area.



A area: viewing area

B area: Outside of viewing area

(4). Standard of inspection : (Unit : mm)

◆Specification For TFT-LCD Module 3.5" ~15" :

(Ver.B01)

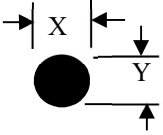
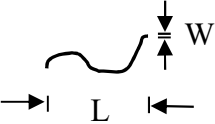
NO	Item	Criterion	Level
01	Product condition	1.1The part number is inconsistent with work order of production.	Major

		1.2 Mixed product types.	Major												
		1.3 Assembled in inverse direction.	Major												
02	Quantity	2.1The quantity is inconsistent with work order of production.	Major												
03	Outline dimension	3.1Product dimension and structure must conform to structure diagram.	Major												
04	Electrical Testing	4.1 Missing line character and icon.	Major												
		4.2 No function or no display.	Major												
		4.3 Display malfunction.	Major												
		4.4 LCD viewing angle defect.	Major												
		4.5 Current consumption exceeds product specifications.	Major												
		4.6Mura cannot be seen through 5% ND filter at 50% Gray , should be judged by the viewing angle of 90 degree.	Minor												
05	Dot defect (Bright dot, Dark dot) On -display	<table border="1" style="margin-left: auto; margin-right: auto; border-collapse: collapse; text-align: center;"> <thead> <tr> <th colspan="2">Item</th> <th>Acceptance (Q'ty)</th> </tr> </thead> <tbody> <tr> <td rowspan="4" style="writing-mode: vertical-rl; transform: rotate(180deg);">Dot Defect</td> <td>Bright Dot</td> <td>≤ 4</td> </tr> <tr> <td>Dark Dot</td> <td>≤ 5</td> </tr> <tr> <td>Joint Dot</td> <td>≤ 3</td> </tr> <tr> <td>Total</td> <td>≤ 7</td> </tr> </tbody> </table>	Item		Acceptance (Q'ty)	Dot Defect	Bright Dot	≤ 4	Dark Dot	≤ 5	Joint Dot	≤ 3	Total	≤ 7	Minor
		Item		Acceptance (Q'ty)											
Dot Defect	Bright Dot	≤ 4													
	Dark Dot	≤ 5													
	Joint Dot	≤ 3													
	Total	≤ 7													
5.1 Inspection pattern: full white, full black, Red, Green and blue screens. 5.2 It is defined as dot defect if defect area $> 1/2$ dot. 5.3 The distance between two dot defect ≥ 5 mm. 5.4 Bright dot that can not be seen through 5% ND filter.															

◆Specification For TFT-LCD Module 3.5" ~15" :

(Ver.B01)

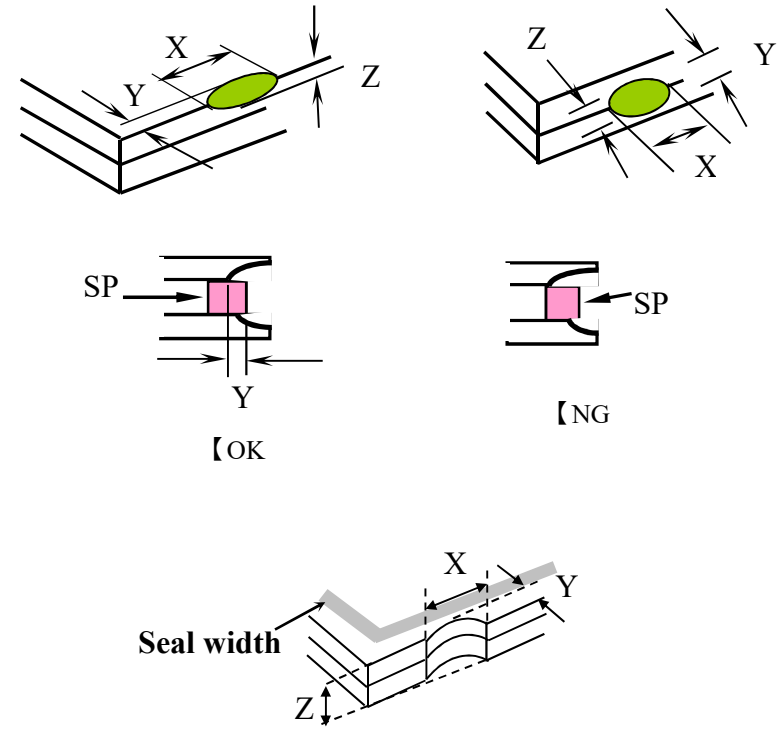
NO	Item	Criterion	Level
----	------	-----------	-------

06	<p>Black or white Dot, scratch, contamination</p> <p>Round type</p>  <p>$\Phi = (x + y) / 2$</p> <p>Line type</p> 	<p>6.1 Round type (Non-display or display):</p> <table border="1" style="margin-left: auto; margin-right: auto;"> <thead> <tr> <th rowspan="2">Dimension (diameter : Φ)</th> <th colspan="2">Acceptance (Q'ty)</th> </tr> <tr> <th>A area</th> <th>B area</th> </tr> </thead> <tbody> <tr> <td style="text-align: center;">$\Phi \leq 0.25$</td> <td colspan="2" style="text-align: center;">Ignore</td> </tr> <tr> <td style="text-align: center;">$0.25 < \Phi \leq 0.50$</td> <td colspan="2" style="text-align: center;">5</td> </tr> <tr> <td style="text-align: center;">$\Phi > 0.50$</td> <td colspan="2" style="text-align: center;">0</td> </tr> <tr> <td style="text-align: center;">Total</td> <td colspan="2" style="text-align: center;">5</td> </tr> </tbody> </table> <p>6.2 Line type(Non-display or display):</p> <table border="1" style="margin-left: auto; margin-right: auto;"> <thead> <tr> <th rowspan="2">module size</th> <th rowspan="2">Length (L)</th> <th rowspan="2">Width (W)</th> <th colspan="2">Acceptance (Q'ty)</th> </tr> <tr> <th>A area</th> <th>B area</th> </tr> </thead> <tbody> <tr> <td rowspan="5" style="text-align: center;">3.5" to less 9"</td> <td style="text-align: center;">---</td> <td style="text-align: center;">$W \leq 0.03$</td> <td colspan="2" style="text-align: center;">Ignore</td> </tr> <tr> <td style="text-align: center;">$L \leq 10.0$</td> <td style="text-align: center;">$0.03 < W \leq 0.05$</td> <td colspan="2" style="text-align: center;">4</td> </tr> <tr> <td style="text-align: center;">$L \leq 5.0$</td> <td style="text-align: center;">$0.05 < W \leq 0.10$</td> <td colspan="2" style="text-align: center;">2</td> </tr> <tr> <td style="text-align: center;">---</td> <td style="text-align: center;">$W > 0.10$</td> <td colspan="2" style="text-align: center;">As round type</td> </tr> <tr> <td colspan="3" style="text-align: center;">Total</td> <td colspan="2" style="text-align: center;">5</td> </tr> <tr> <td rowspan="4" style="text-align: center;">9" to 15"</td> <td style="text-align: center;">---</td> <td style="text-align: center;">$W \leq 0.05$</td> <td colspan="2" style="text-align: center;">Ignore</td> </tr> <tr> <td style="text-align: center;">$L \leq 10.0$</td> <td style="text-align: center;">$0.05 < W \leq 0.10$</td> <td colspan="2" style="text-align: center;">5</td> </tr> <tr> <td style="text-align: center;">---</td> <td style="text-align: center;">$W > 0.10$</td> <td colspan="2" style="text-align: center;">As round type</td> </tr> <tr> <td colspan="3" style="text-align: center;">Total</td> <td colspan="2" style="text-align: center;">5</td> </tr> </tbody> </table>	Dimension (diameter : Φ)	Acceptance (Q'ty)		A area	B area	$\Phi \leq 0.25$	Ignore		$0.25 < \Phi \leq 0.50$	5		$\Phi > 0.50$	0		Total	5		module size	Length (L)	Width (W)	Acceptance (Q'ty)		A area	B area	3.5" to less 9"	---	$W \leq 0.03$	Ignore		$L \leq 10.0$	$0.03 < W \leq 0.05$	4		$L \leq 5.0$	$0.05 < W \leq 0.10$	2		---	$W > 0.10$	As round type		Total			5		9" to 15"	---	$W \leq 0.05$	Ignore		$L \leq 10.0$	$0.05 < W \leq 0.10$	5		---	$W > 0.10$	As round type		Total			5		Minor
	Dimension (diameter : Φ)	Acceptance (Q'ty)																																																																	
A area		B area																																																																	
$\Phi \leq 0.25$	Ignore																																																																		
$0.25 < \Phi \leq 0.50$	5																																																																		
$\Phi > 0.50$	0																																																																		
Total	5																																																																		
module size	Length (L)	Width (W)	Acceptance (Q'ty)																																																																
			A area	B area																																																															
3.5" to less 9"	---	$W \leq 0.03$	Ignore																																																																
	$L \leq 10.0$	$0.03 < W \leq 0.05$	4																																																																
	$L \leq 5.0$	$0.05 < W \leq 0.10$	2																																																																
	---	$W > 0.10$	As round type																																																																
	Total			5																																																															
9" to 15"	---	$W \leq 0.05$	Ignore																																																																
	$L \leq 10.0$	$0.05 < W \leq 0.10$	5																																																																
	---	$W > 0.10$	As round type																																																																
	Total			5																																																															
07	<p>Polarizer Bubble</p>	<table border="1" style="margin-left: auto; margin-right: auto;"> <thead> <tr> <th rowspan="2">Dimension (diameter: Φ)</th> <th colspan="2">Acceptance (Q'ty)</th> </tr> <tr> <th>A area</th> <th>B area</th> </tr> </thead> <tbody> <tr> <td style="text-align: center;">$\Phi \leq 0.25$</td> <td colspan="2" style="text-align: center;">Ignore</td> </tr> <tr> <td style="text-align: center;">$0.25 < \Phi \leq 0.50$</td> <td colspan="2" style="text-align: center;">4</td> </tr> <tr> <td style="text-align: center;">$0.50 < \Phi \leq 0.80$</td> <td colspan="2" style="text-align: center;">1</td> </tr> <tr> <td style="text-align: center;">$\Phi > 0.80$</td> <td colspan="2" style="text-align: center;">0</td> </tr> <tr> <td style="text-align: center;">Total</td> <td colspan="2" style="text-align: center;">5</td> </tr> </tbody> </table>	Dimension (diameter: Φ)	Acceptance (Q'ty)		A area	B area	$\Phi \leq 0.25$	Ignore		$0.25 < \Phi \leq 0.50$	4		$0.50 < \Phi \leq 0.80$	1		$\Phi > 0.80$	0		Total	5		Minor																																												
Dimension (diameter: Φ)	Acceptance (Q'ty)																																																																		
	A area	B area																																																																	
$\Phi \leq 0.25$	Ignore																																																																		
$0.25 < \Phi \leq 0.50$	4																																																																		
$0.50 < \Phi \leq 0.80$	1																																																																		
$\Phi > 0.80$	0																																																																		
Total	5																																																																		

◆Specification For TFT-LCD Module 3.5" ~15" :

(Ver.B01)

NO	Item	Criterion	Level
----	------	-----------	-------

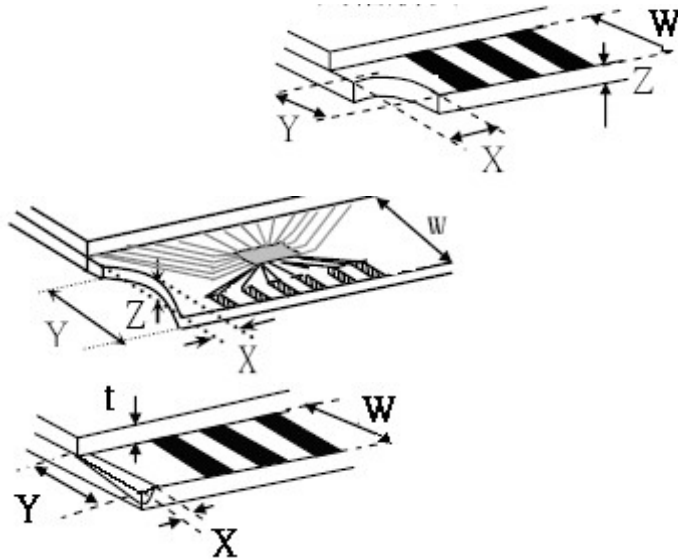
08	The crack of glass	<p>Symbols :</p> <p>X: The length of crack Z: The thickness of crack t: The thickness of glass</p> <p>Y: The width of crack. W: terminal length a: LCD side length</p>	Minor						
		<p>8.1 General glass chip: 8.1.1 Chip on panel surface and crack between panels:</p>  <table border="1" data-bbox="534 1388 1348 1691"> <thead> <tr> <th>X</th> <th>Y</th> <th>Z</th> </tr> </thead> <tbody> <tr> <td>$\square a$</td> <td>Crack can't enter viewing area</td> <td>$\square 1/2 t$</td> </tr> <tr> <td>$\square a$</td> <td>Crack can't exceed the half of SP width.</td> <td>$1/2 t < Z \square 2 t$</td> </tr> </tbody> </table>		X	Y	Z	$\square a$	Crack can't enter viewing area	$\square 1/2 t$
X	Y	Z							
$\square a$	Crack can't enter viewing area	$\square 1/2 t$							
$\square a$	Crack can't exceed the half of SP width.	$1/2 t < Z \square 2 t$							

◆Specification For TFT-LCD Module 3.5" ~15" :

(Ver.B01)

NO	Item	Criterion	Level
----	------	-----------	-------

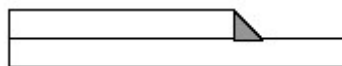
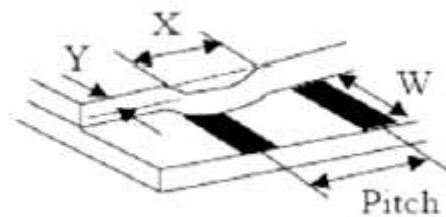
8.2.2 Non-conductive portion:



X	Y	Z
□ 1/3 a	□ W	□ t

- If the chipped area touches the ITO terminal, over 2/3 of
 - the ITO must remain and be inspected according to electrode terminal specifications.

8.2.3 Glass remain:



X	Y	Z
□ a	□ 1/3 W	□ t

8.2.4 Cracking:



Not Allowed

NO	Item	Criterion	Level
09	Backlight elements	9.1 Backlight can't work normally.	Major
		9.2 Backlight doesn't light or color is wrong.	Major
		9.3 Illumination source flickers when lit.	Major
10	General appearance	10.1 Pin type 、 quantity 、 dimension must match type in structure diagram.	Major
		10.2 No short circuits in components on PCB or FPC.	Major
		10.3 Parts on PCB or FPC must be: no wrong parts, missing parts or excess parts.	Major
		10.4 Product packaging must the same as specified on packaging specification sheet.	Minor
		10.5 The folding and peeled off in polarizer are not acceptable.	Minor
		10.6 The PCB or FPC between B/L assembled distance(PCB or FPC) is ≤ 1.5 mm.	Minor

4. RELIABILITY TEST

4.1 Reliability Test Condition (Ver.B01)

NO.	TEST ITEM	TEST CONDITION										
1	High Temperature Storage Test	Keep in +80 ±5°C 240 hrs										
2	Low Temperature Storage Test	Keep in -30 ±5°C 240 hrs										
3	High Temperature / High Humidity Storage Test	Keep in +60 °C / 90% R.H duration for 240 hrs (Excluding the polarizer)										
4	Temperature Cycling Storage Test	$-30^{\circ}\text{C} \rightarrow +25^{\circ}\text{C} \rightarrow +80^{\circ}\text{C} \rightarrow +25^{\circ}\text{C}$ <div style="display: flex; justify-content: space-around; align-items: center;"> (30mins) (5mins) (30mins) (5mins) </div> <div style="text-align: center; margin-top: 5px;"> \longleftarrow 20 Cycle \longrightarrow </div>										
5	ESD Test	Air Discharge: Apply 2 KV with 5 times Discharge for each polarity +/-	Contact Discharge: Apply 250 V with 5 times discharge for each polarity +/-									
		1. Temperature ambience : 15°C ~ 35°C 2. Humidity relative : 30% ~ 60% 3. Energy Storage Capacitance(Cs+Cd) : 150pF±10% 4. Discharge Resistance(Rd) : 330Ω±10% 5. Discharge, mode of operation : Single discharge (time between successive discharges at least 1 sec) (Tolerance if the output voltage indication : ±5%)										
6	Vibration Test (Packaged)	1. Sine wave 10 ~ 55 Hz frequency (1 min/sweep) 2. The amplitude of vibration :1.5 mm 3. Each direction (X 、 Y 、 Z) duration for 2 Hrs										
7	Drop Test (Packaged)	<table border="1" style="margin-left: auto; margin-right: auto;"> <thead> <tr> <th style="text-align: center;">Packing Weight (Kg)</th> <th style="text-align: center;">Drop Height (cm)</th> </tr> </thead> <tbody> <tr> <td style="text-align: center;">0 ~ 45.4</td> <td style="text-align: center;">122</td> </tr> <tr> <td style="text-align: center;">45.4 ~ 90.8</td> <td style="text-align: center;">76</td> </tr> <tr> <td style="text-align: center;">90.8 ~ 454</td> <td style="text-align: center;">61</td> </tr> <tr> <td style="text-align: center;">Over 454</td> <td style="text-align: center;">46</td> </tr> </tbody> </table> <p>Drop</p> <p>Direction :※1 corner / 3 edges / 6 sides each 1time</p>	Packing Weight (Kg)	Drop Height (cm)	0 ~ 45.4	122	45.4 ~ 90.8	76	90.8 ~ 454	61	Over 454	46
Packing Weight (Kg)	Drop Height (cm)											
0 ~ 45.4	122											
45.4 ~ 90.8	76											
90.8 ~ 454	61											
Over 454	46											

◎Inspection conditions after test:

Temperature : +20~30°C

Humidity : 50~70%

Atmospheric pressure : 86~106Kpa

5. PRECAUTION RELATING PRODUCT HANDLING

5.1 SAFETY

- 5.1.1 If the LCD panel breaks , be careful not to get the liquid crystal to touch your skin.
- 5.1.2 If the liquid crystal touches your skin or clothes , please wash it off immediately by using soap and water.

5.2 HANDLING

- 5.2.1 Avoid any strong mechanical shock which can break the glass.
- 5.2.2 Avoid static electricity which can damage the CMOS LSI—When working with the module , be sure to ground your body and any electrical equipment you may be using.
- 5.2.3 Do not remove the panel or frame from the module.
- 5.2.4 The polarizing plate of the display is very fragile. So , please handle it very carefully ,do not touch , push or rub the exposed polarizing with anything harder than an HB pencil lead (glass , tweezers , etc.)
- 5.2.5 Do not wipe the polarizing plate with a dry cloth , as it may easily scratch the surface of plate.
- 5.2.6 Do not touch the display area with bare hands , this will stain the display area.
- 5.2.7 Do not use ketonics solvent & aromatic solvent. Use with a soft cloth soaked with a cleaning naphtha solvent.
- 5.2.8 To control temperature and time of soldering is $320\pm 10^{\circ}\text{C}$ and 3-5 sec.
- 5.2.9 To avoid liquid (include organic solvent) stained on LCM .
- 5.2.10 Caution!(LCM products with Capacitive Touch Panel)
Strong EMI-sources such as switch-mode power supplies (SMPS) can lead to touch malfunction (e.g. ghost-touches).
Therefore, the touch needs to be thoroughly tested inside the target application.
- 5.2.11 Do not let the LCD screen display static images (text, logos or pictures) for a prolonged period of time to prevent possible image burn-in.

5.3 STORAGE

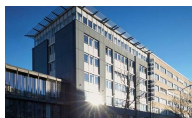
- 5.3.1 Store the panel or module in a dark place where the temperature is $25^{\circ}\text{C} \pm 5^{\circ}\text{C}$ and the humidity is below 65% RH.
- 5.3.2 Do not place the module near organics solvents or corrosive gases.
- 5.3.3 Do not crush , shake , or jolt the module.

5.4 TERMS OF WARRANTY

- 5.4.1 Applicable warrant period
The period is within thirteen months since the date of shipping out under normal using and storage conditions.
- 5.4.2 Unaccepted responsibility
This product has been manufactured to your company's specification as a part for use in your company's general electronic products. It is guaranteed to perform according to delivery specifications. For any other use apart from general electronic equipment , we cannot take responsibility if the product is used in nuclear power control equipment , aerospace equipment , fire and security systems or any other applications in which there is a direct risk to human life and where extremely high levels of reliability are required.



ALL TECHNOLOGIES. ALL COMPETENCIES. ONE SPECIALIST.



DATA MODUL AG
Landsberger Straße 322
DE-80687 Munich
Phone: +49-89-56017-0

DATA MODUL WEIKERSHEIM GMBH
Lindenstraße 8
DE-97990 Weikersheim
Phone: +49-7934-101-0



More information and worldwide locations can be found at

www.data-modul.com